


Front View

Side View

TABLE "A" RAFTER SPANS (DOUGLAS FIR #2 OR BETTER)			TABLE "B" HEADER SIZE & SPANS (DOUGLAS FIR #2 OR BETTER)		TABLE "C" FOOTING SIZE	TABLE "D" LEDGER BOLTING
SIZE	SPACING	SPAN	RAFTER SPAN	HEADER SPAN SIZE	BASED ON 1000 P.S.F. SOIL BEARING PRESSURE.	ALL LAG BOLTS SHALL HAVE 1/4" PRE-DRILLED HOLES - (SEE NOTE 2)
2 x 4	12" O.C.	9' - 10"	UP TO 12'-0"	8'-0" MAX		
	16" O.C.	8' - 11"		10'-0" MAX	4 x 8	18" SQ. X 12" DEEP
	24" O.C.	7' - 8"		12'-0" MAX	4 x 10	18" SQ. X 12" DEEP
				14'-0" MAX	4 x 12	18" SQ. X 12" DEEP
2 x 6	12" O.C.	15' - 4"	12'-1" TO 20'-0"	8'-0" MAX	4 x 8	24" SQ. X 12" DEEP
	16" O.C.	13' - 9"		10'-0" MAX	4 x 10	24" SQ. X 12" DEEP
	24" O.C.	11' - 3"		12'-0" MAX	4 x 12	24" SQ. X 12" DEEP
				14'-0" MAX	4 x 14	24" SQ. X 12" DEEP
2 x 8	12" O.C.	20' - 0"	NOTES: 1. TWO 2X MEMBERS MAY BE SUBSTITUTED FOR ONE 4X HORIZONTAL FRAMING MEMBER. 2. LAG BOLTS MUST FULLY ENGAGE A WOOD STUD OR RIM JOIST AND BE PROVIDED WITH APPROPRIATE WASHERS. LAG BOLTS SHALL BE LOCATED A MINIMUM OF 1-1/2" FROM THE TOP OR BOTTOM OF THE LEDGER. 3. NOT DESIGNED TO BE ENCLOSED - ADDITIONAL ENGINEERING ANALYSIS WILL BE REQUIRED IF ENCLOSED. 4. SEE PAGE 2 OF 2 FOR CONSTRUCTION DETAILS. 5. A PLOT PLAN IS REQUIRED			
	16" O.C.	18' - 2"				
	24" O.C.	14' - 10"				
2 x 10	12" O.C.	20' - 0"				
	16" O.C.	20' - 0"				
	24" O.C.	18' - 11"				

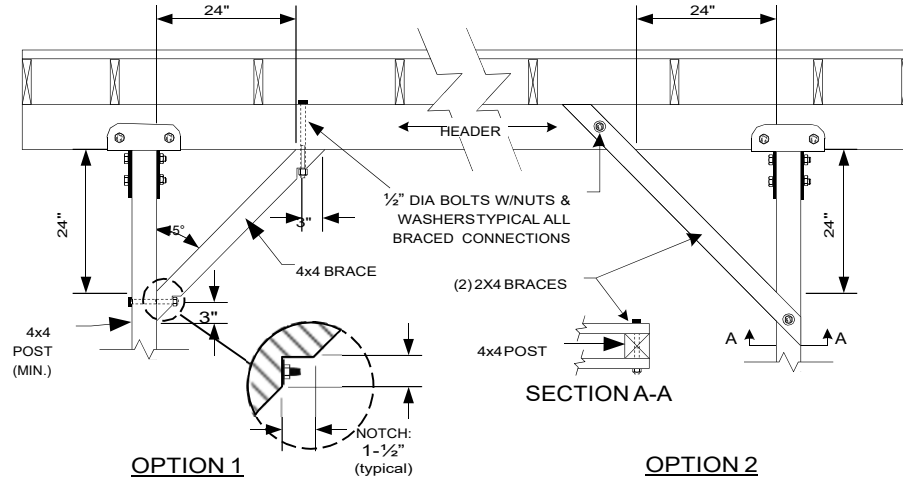
INDICATE DISTANCE BETWEEN POST CIRCLE PROPOSED RAFTER SIZE HEADER SIZE AND FOOTING SIZE ON TABLES

DISCLAIMER:
 Alternate patio designs may be possible when provided with an engineered analysis. Use of this conventional standard design is at the user's risk and carries no implied or inferred guarantee against failure or defects

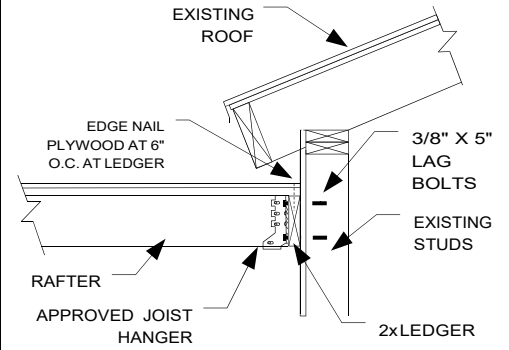
	CITY OF PERRIS	
	Building Department	
PATIO COVER STANDARD		
951-943-5003	135 N. 'D' Street Perris CA 92570	
01/01/2017	Pg. 1 of 2	

KNEE BRACE DETAIL AT END POSTS

(REQUIRED WHEN RAFTER SPAN EXCEEDS 12 FT.)



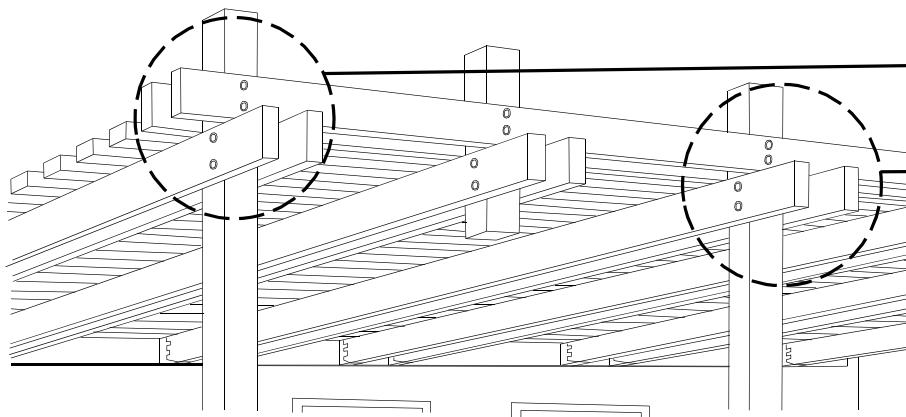
LEDGER ATTACHMENT DETAIL



NOTES:

1. USE A CONTINUOUS 2X LEDGER - SAME DEPTH AS RAFTER OR LARGER
2. SEE TABLE "D" FOR BOLTING REQUIREMENTS

INVERTED HEADER DESIGN OPTION (lattice only)

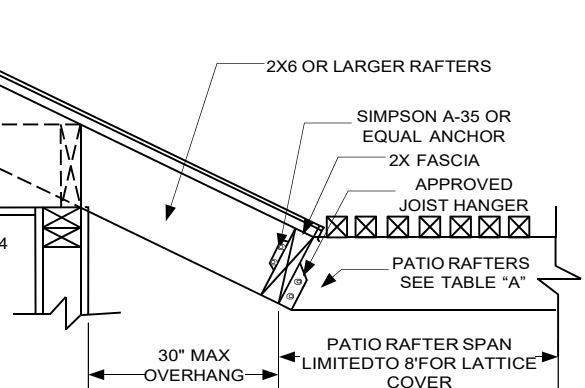
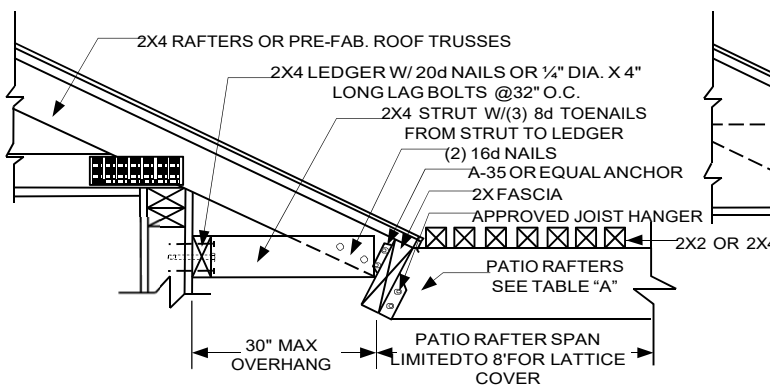


NOTE: KNEE BRACING REQUIRED WHEN RAFTER SPAN EXCEEDS 12 FEET

2X FASCIA (OVERHANG) ATTACHMENT - LATTICE ONLY

OPTION 1

OPTION 2



NOTE: VERIFY STRUCTURAL SOUNDNESS OF ROOF RAFTERS FOR DECAY OR TERMITE DAMAGE, AND REPLACE WITH LIKE MATERIALS AS NEEDED, AFTER CONSULTATION WITH THE BUILDING DEPARTMENT.

CITY OF PERRIS

Building Department

Patio Cover Standard

951-943-5003

135 N 'D' Street Perris CA 92570

01/01/2017

Pg. 2 of 2