



LANDSCAPE ARCHITECTURE

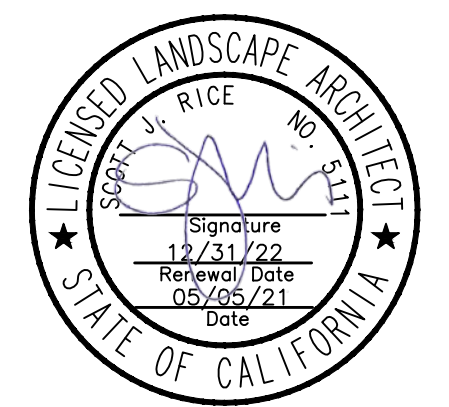
4649 Brockton Ave.
Riverside, CA 92506
Phone: (951) 369-0700
Fax: (951) 369-4039
www.cwdg.com

ENCHANTED HILLS PARK

1400 WESTON ROAD
PERRIS, CA 92570

JOB NUMBER: **190633**
DRAWN BY: **LM**
CHECKED BY: **DB**
DATE: **05/05/21**

REVISIONS:



SKATE SPOT CONSTRUCTION DETAILS

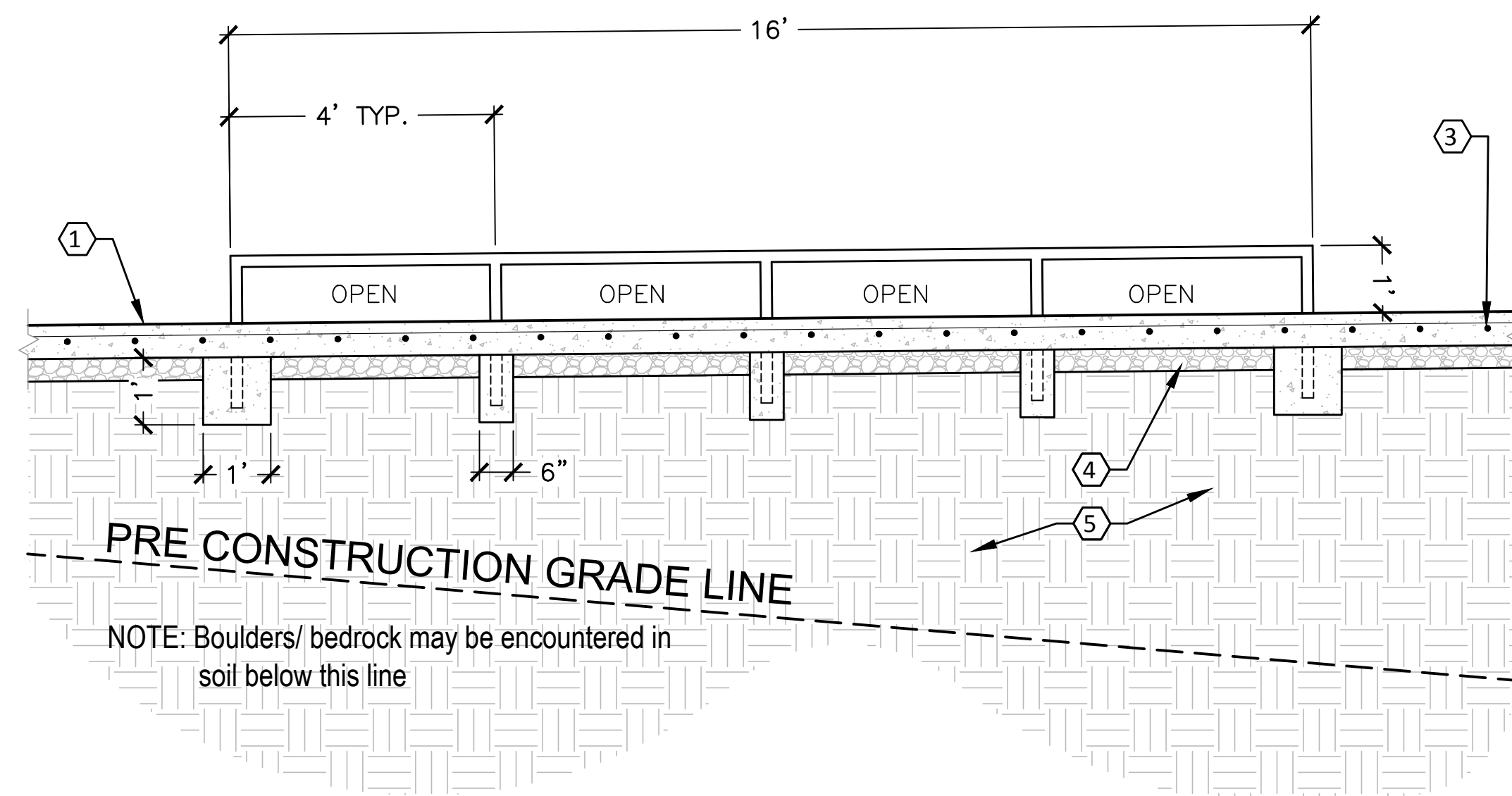
SCALE: 1/2"=1'



Know what's below.
Call before you dig.

LSC-9

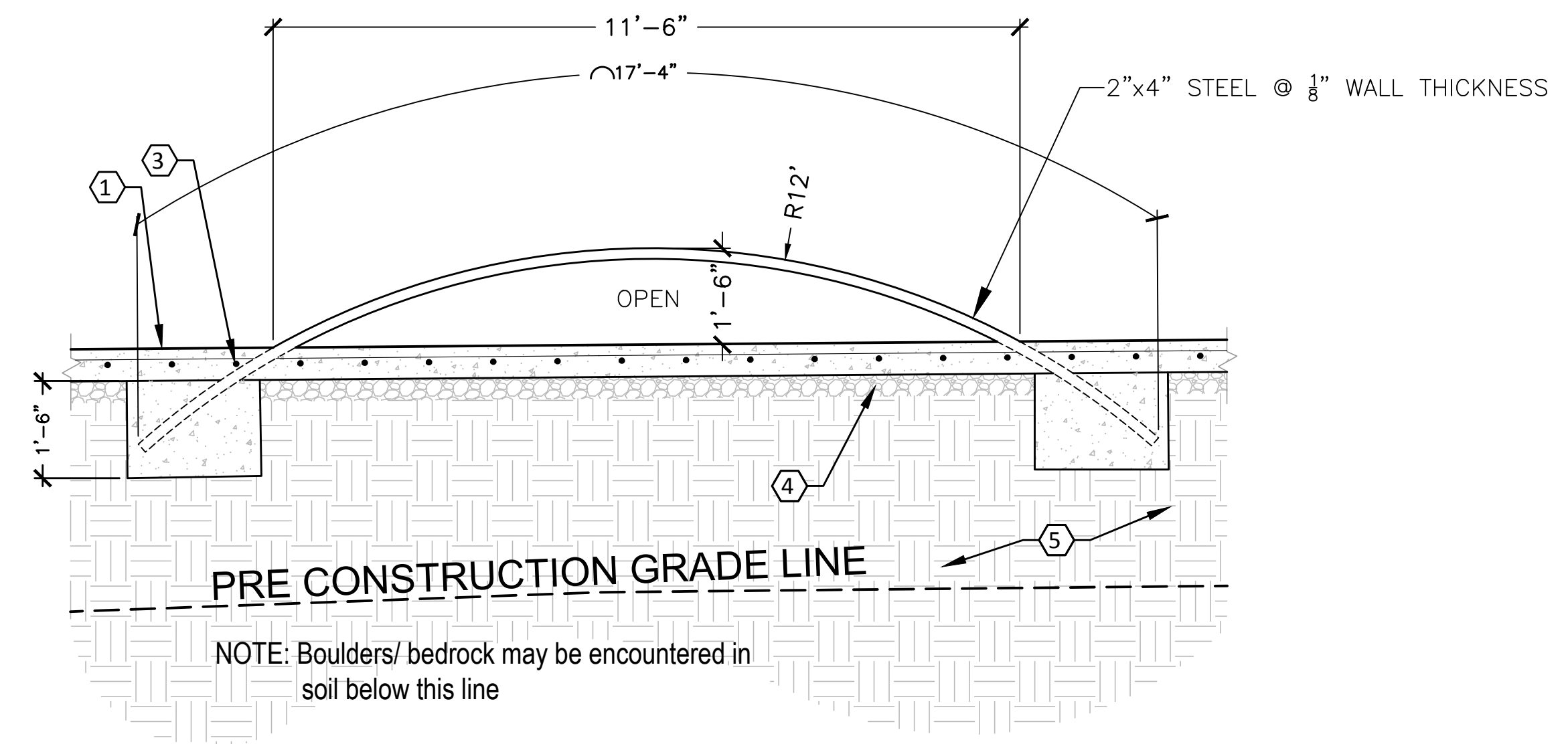
SHEET 39 OF 88



NOTE: Boulders/ bedrock may be encountered in soil below this line

SCALE: 1/2"=1'

SECTION G-G

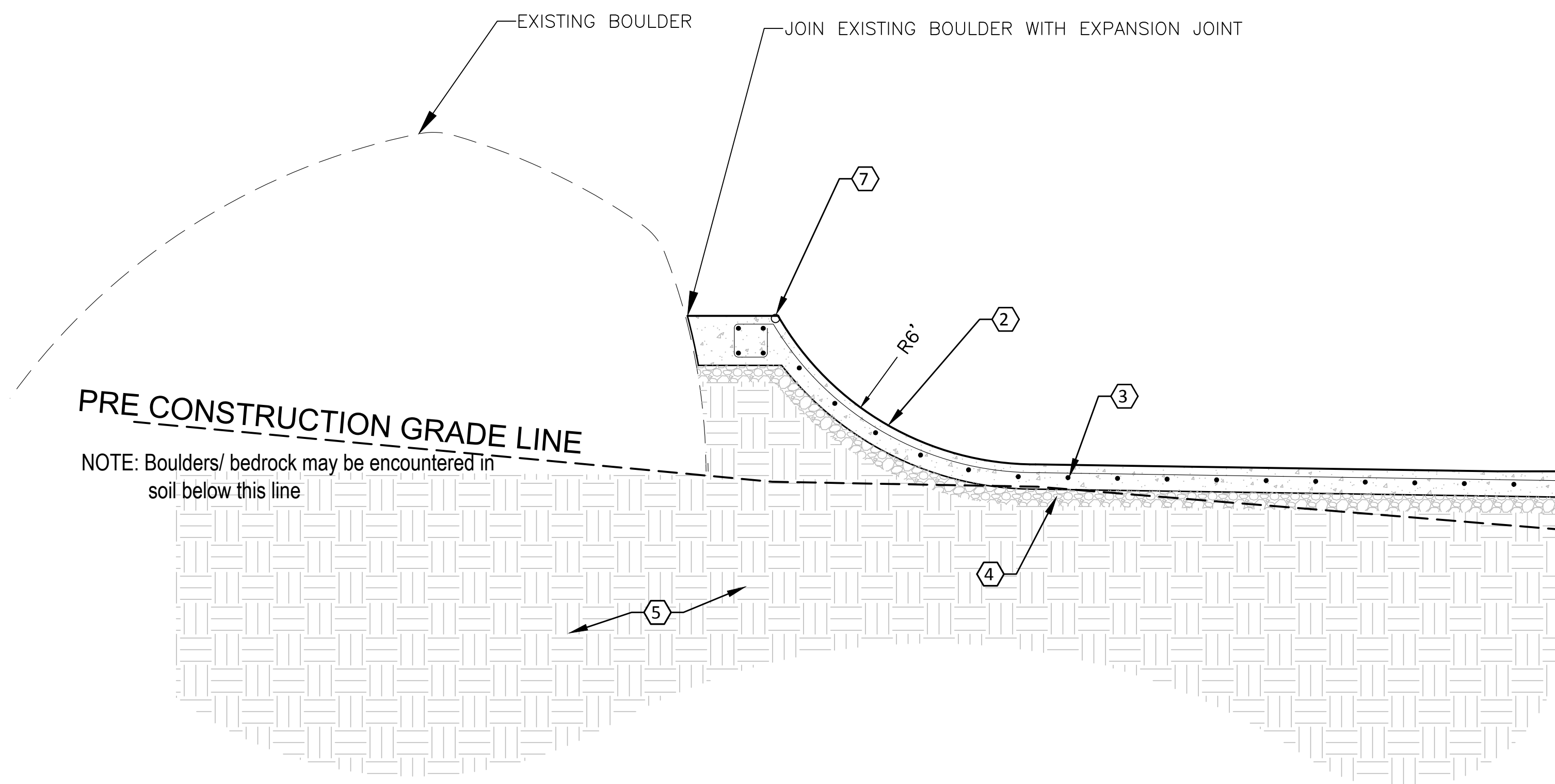


NOTE: Boulders/ bedrock may be encountered in soil below this line

SCALE: 1/2"=1'

SECTION H-H

+



NOTE: Boulders/ bedrock may be encountered in soil below this line

SCALE: 1/2"=1'

SECTION I-I

DETAIL NOTES:

1. 6" REINFORCED CONCRETE PAVING. REFER TO DETAIL 'A', SHEET LSC-5.
2. 6" SHOTCRETE RAMP W/SMOOTH TROWEL FINISH (TYP.) UNLESS OTHERWISE INDICATED ON PLAN
3. #4 REBAR AT 12" O.C., BOTH WAYS (TYP.)
4. 4" CRUSHED MISCELLANEOUS BASE (95% RELATIVE COMPACTION)
5. 90% RELATIVE COMPACTED SUBGRADE
6. COLD JOINT (TYP.) SEE DETAIL 'B', SHEET LSC-12
7. TOP EDGE OF TRANSITION TO RECEIVE POWDER COATED ROUND STEEL EDGING PER DETAIL 'C', SHEET LSC-12
8. KEYSTONE RETAINING WALL WITH TENDRIL SAFTEY FENCE.
9. 3x3 GRIND RAIL PER DETAIL 'G', SHEET LSC-9.
10. 3x3 GRIND RAIL PER DETAIL 'H', SHEET LSC-9.
11. EXPANSION JOINT WITH 12" LONG DOWEL AT 24" O.C., TO EXTEND 6" INTO ADJACENT CONCRETE FLATWORK
12. POOL COPING AND TILE SEE DETAIL 'F', SHEET LSC-12
13. 6"x4" BENT ANGLE SEE DETAIL 'D', SHEET LSC-12
14. 6" PLATE AT STAIRS SEE DETAIL 'E', SHEET LSC-12
15. COLD ROLLED 1/4" 1008 STEEL PLATE MIN. 12" WIDE
16. ZURN Z-415 DRAIN AND GRATE SEE DETAIL 'G', SHEET LSC-12
17. PLANTER CURB SEE DETAIL 'H', SHEET LSC-12

NOTES:

- CONTRACTOR TO USE SHOTCRETE FOR ALL RAMP AREAS
- SHOTCRETE/CONCRETE SHALL CONFORM TO SECTION 03360 OF THE STANDARD SPECIFICATIONS FOR PUBLIC WORKS CONSTRUCTION.
- RAMP RADII SHOWN ARE FOR STRAIGHT, NON-CURVING SECTIONS OF RAMP; RADII WILL VARY WHERE RAMP CURVES HORIZONTALLY IN BOWL SECTIONS
- HEIGHT AND LENGTH SHOWN ARE FOR TYPICAL RAMP SECTIONS.
- DIMENSIONS WILL VARY PER GRADING AND STAKING PLANS.
- CONTRACTOR TO USE SHOTCRETE FOR ALL RAMP AREAS
- SHOTCRETE/CONCRETE SHALL CONFORM TO SECTION 03360 OF THE STANDARD SPECIFICATIONS FOR PUBLIC WORKS CONSTRUCTION.
- RAMP RADII SHOWN ARE FOR STRAIGHT, NON-CURVING SECTIONS OF RAMP; RADII WILL VARY WHERE RAMP CURVES HORIZONTALLY IN BOWL SECTIONS



LANDSCAPE ARCHITECTURE

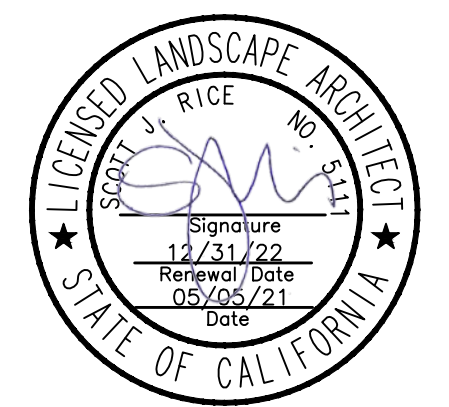
4649 Brockton Ave.
Riverside, CA 92506
Phone: (951) 369-0700
Fax: (951) 369-4039
www.cwdg.com

ENCHANTED HILLS PARK

1400 WESTON ROAD
PERRIS, CA 92570

JOB NUMBER: **190633**
DRAWN BY: **LM**
CHECKED BY: **DB**
DATE: **05/05/21**

REVISIONS:



SKATE SPOT CONSTRUCTION DETAILS

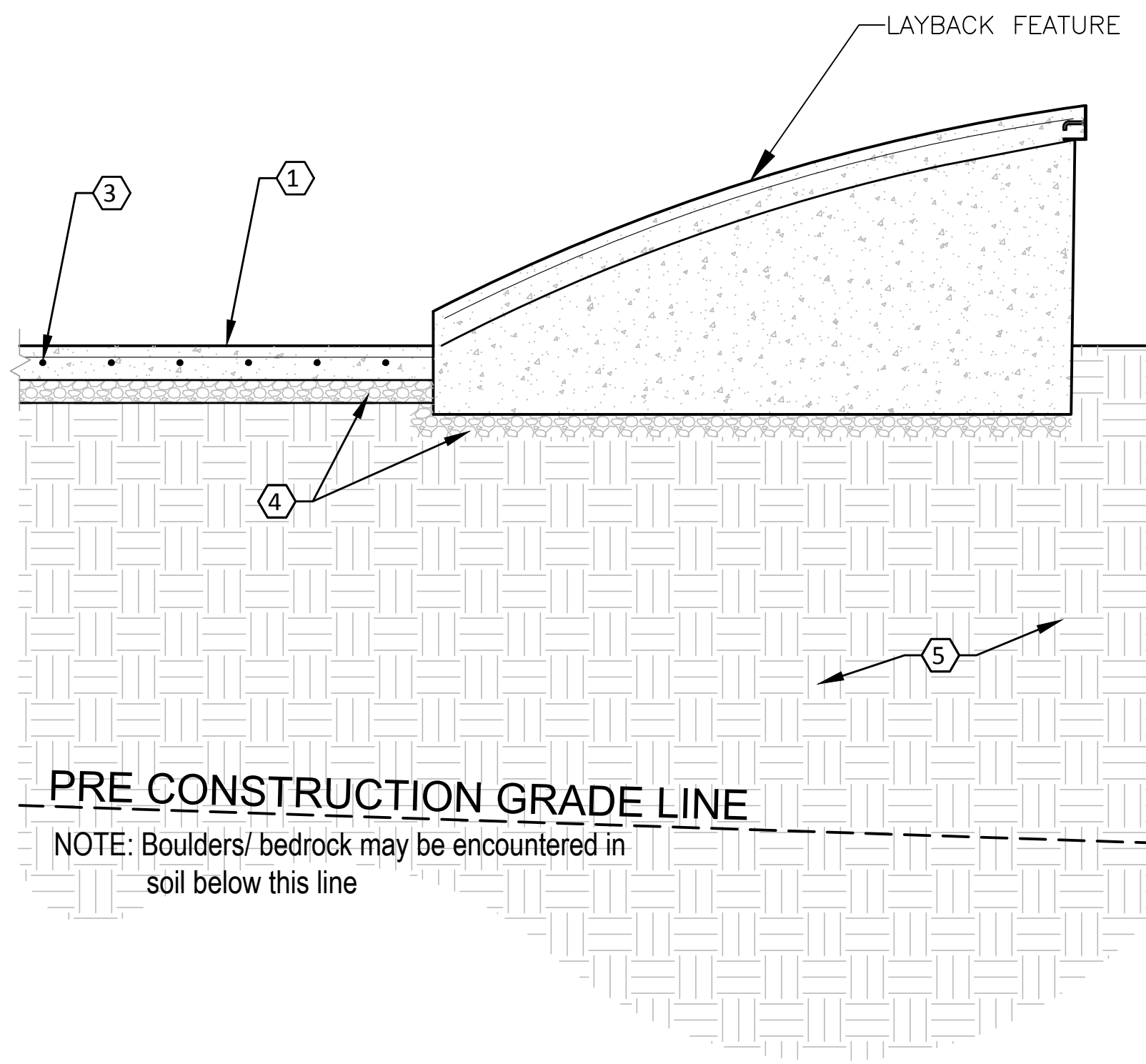
SCALE: 1/2"=1'



Know what's below.
Call before you dig.

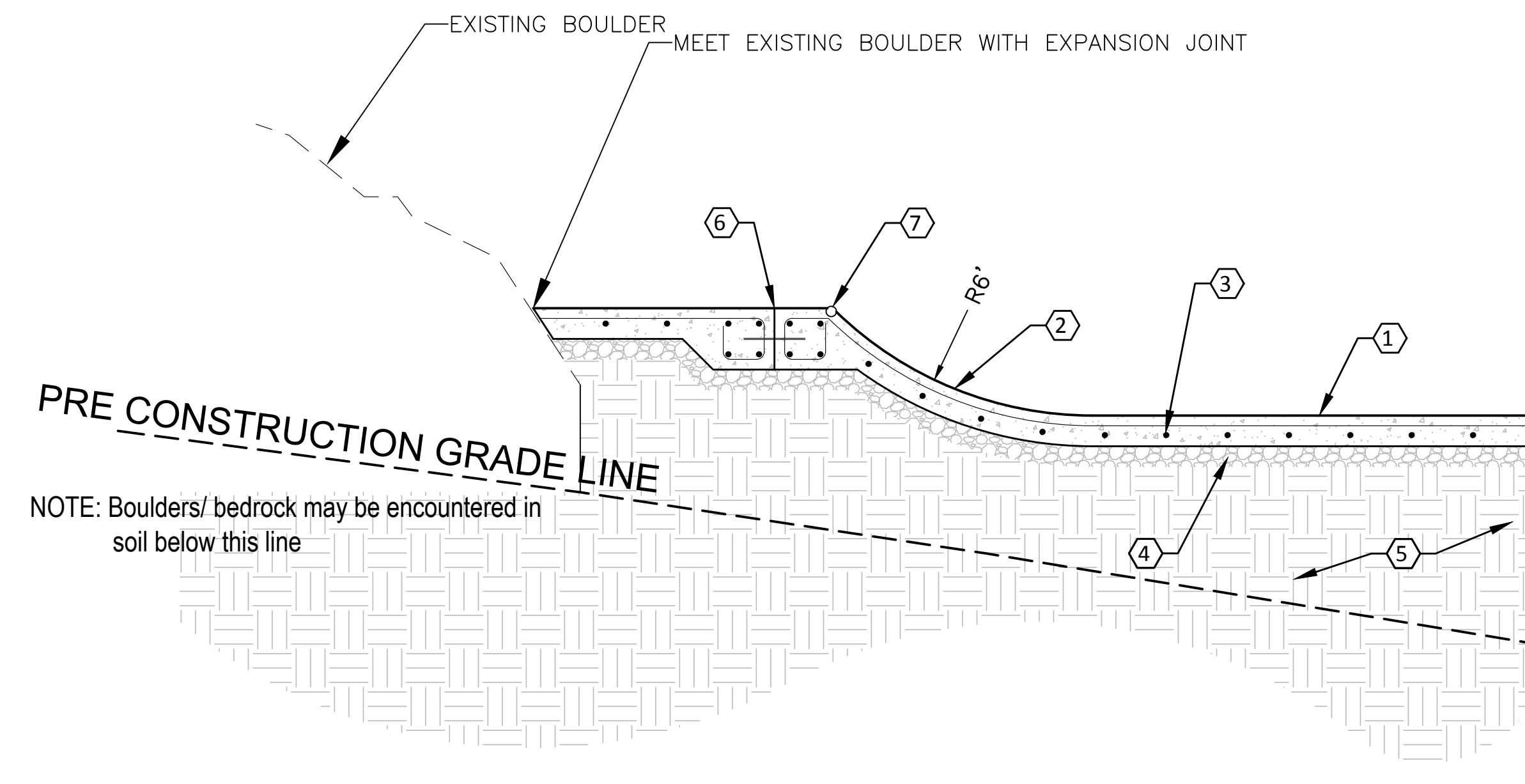
LSC-10

SHEET 40 OF 88



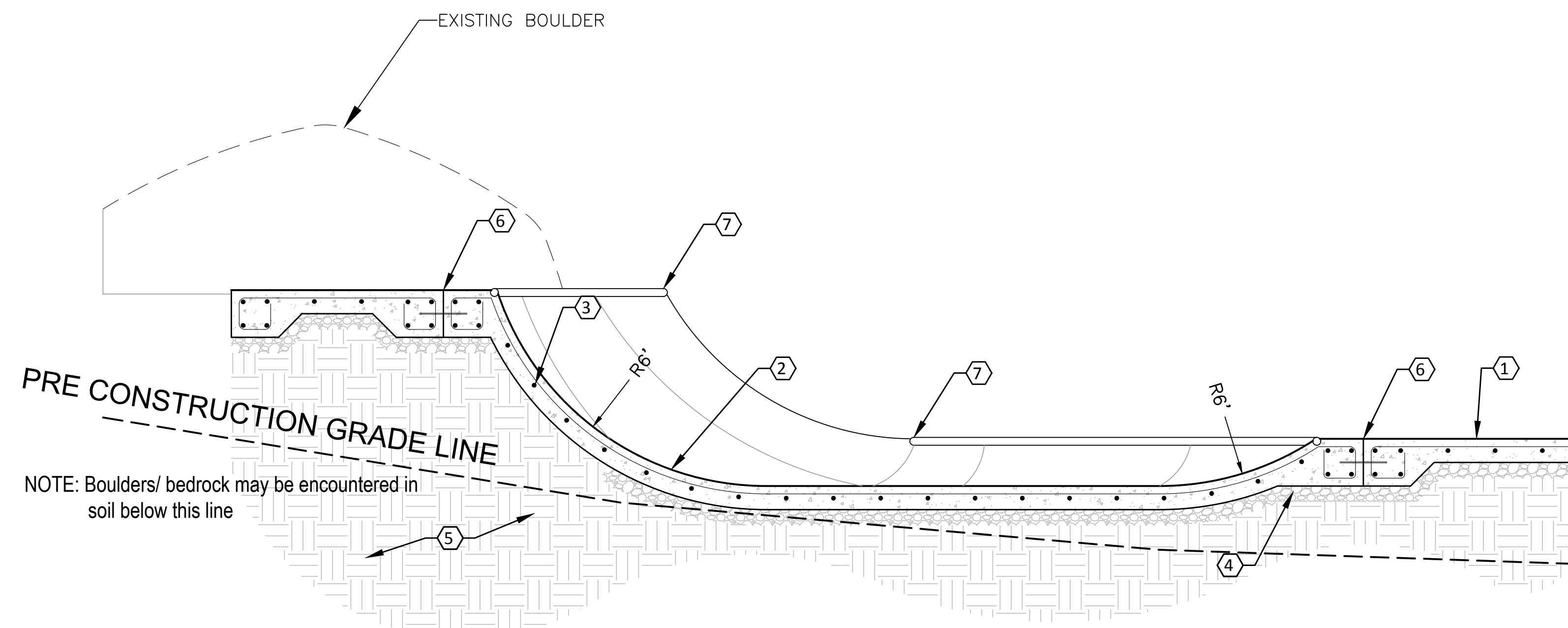
SCALE: 1/2"=1'

SECTION J-J



SCALE: 1/2"=1'

SECTION K-K



SCALE: 1/2"=1'

SECTION L-L

DETAIL NOTES:

1. 6" REINFORCED CONCRETE PAVING. REFER TO DETAIL 'A', SHEET LSC-5.
2. 6" SHOTCRETE RAMP W/SMOOTH TROWEL FINISH (TYP.) UNLESS OTHERWISE INDICATED ON PLAN
3. #4 REBAR AT 12" O.C., BOTH WAYS (TYP.)
4. 4" CRUSHED MISCELLANEOUS BASE (95% RELATIVE COMPACTION)
5. 90% RELATIVE COMPACTED SUBGRADE
6. COLD JOINT (TYP.) SEE DETAIL 'B', SHEET LSC-12.
7. TOP EDGE OF TRANSITION TO RECEIVE POWDER COATED ROUND STEEL EDGING PER DETAIL 'C', SHEET LSC-12
8. KEYSTONE RETAINING WALL WITH TENDRIL SAFETY FENCE.
9. 3x3 GRIND RAIL PER DETAIL 'G', SHEET LSC-9.
10. 3x3 GRIND RAIL PER DETAIL 'H', SHEET LSC-9.
11. EXPANSION JOINT WITH 12" LONG DOWEL AT 24" O.C., TO EXTEND 6" INTO ADJACENT CONCRETE FLATWORK
12. POOL COPING AND TILE SEE DETAIL 'F', SHEET LSC-12
13. 6"x4" BENT ANGLE SEE DETAIL 'D', SHEET LSC-12
14. 6" PLATE AT STAIRS SEE DETAIL 'E', SHEET LSC-12
15. COLD ROLLED 1/2" 1008 STEEL PLATE MIN. 12" WIDE
16. ZURN Z-415 DRAIN AND GRATE SEE DETAIL 'G', SHEET LSC-12
17. PLANTER CURB SEE DETAIL 'H', SHEET LSC-12

NOTES:

- CONTRACTOR TO USE SHOTCRETE FOR ALL RAMP AREAS
- SHOTCRETE/CONCRETE SHALL CONFORM TO SECTION 03360 OF THE STANDARD SPECIFICATIONS FOR PUBLIC WORKS CONSTRUCTION.
- RAMP RADII SHOWN ARE FOR STRAIGHT, NON-CURVING SECTIONS OF RAMP; RADII WILL VARY WHERE RAMP CURVES HORIZONTALLY IN BOWL SECTIONS
- HEIGHT AND LENGTH SHOWN ARE FOR TYPICAL RAMP SECTIONS.
- DIMENSIONS WILL VARY PER GRADING AND STAKING PLANS.
- CONTRACTOR TO USE SHOTCRETE FOR ALL RAMP AREAS
- SHOTCRETE/CONCRETE SHALL CONFORM TO SECTION 03360 OF THE STANDARD SPECIFICATIONS FOR PUBLIC WORKS CONSTRUCTION.
- RAMP RADII SHOWN ARE FOR STRAIGHT, NON-CURVING SECTIONS OF RAMP; RADII WILL VARY WHERE RAMP CURVES HORIZONTALLY IN BOWL SECTIONS



LANDSCAPE ARCHITECTURE

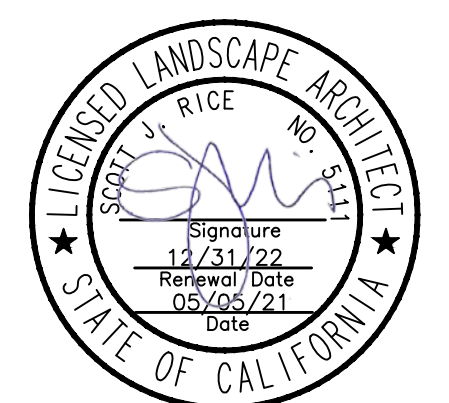
4649 Brockton Ave.
Riverside, CA 92506
Phone: (951) 369-0700
Fax: (951) 369-4039
www.cwdg.com

ENCHANTED HILLS PARK

1400 WESTON ROAD
PERRIS, CA 92570

JOB NUMBER: 190633
DRAWN BY: LM
CHECKED BY: DB
DATE: 05/05/21

REVISIONS:
1 5/5/21 BID ADDENDUM #1



SKATE SPOT
CONSTRUCTION
DETAILS

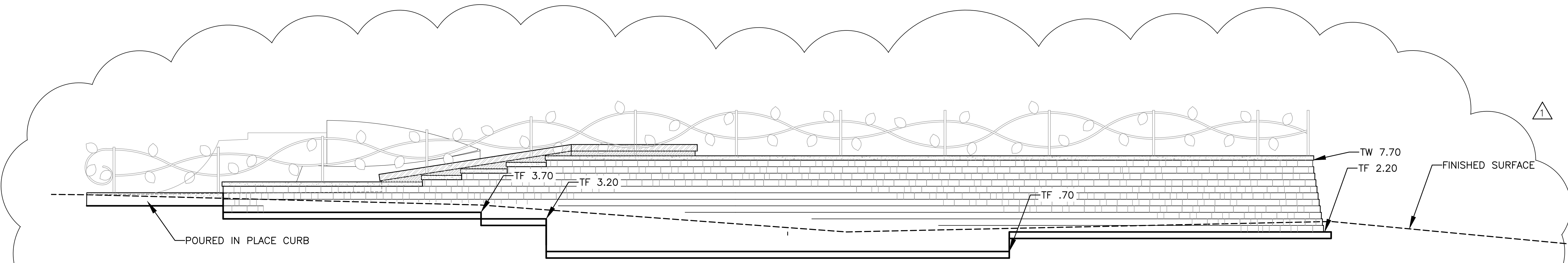
SCALE: VARIES



Know what's below.
Call before you dig.

LSC-11

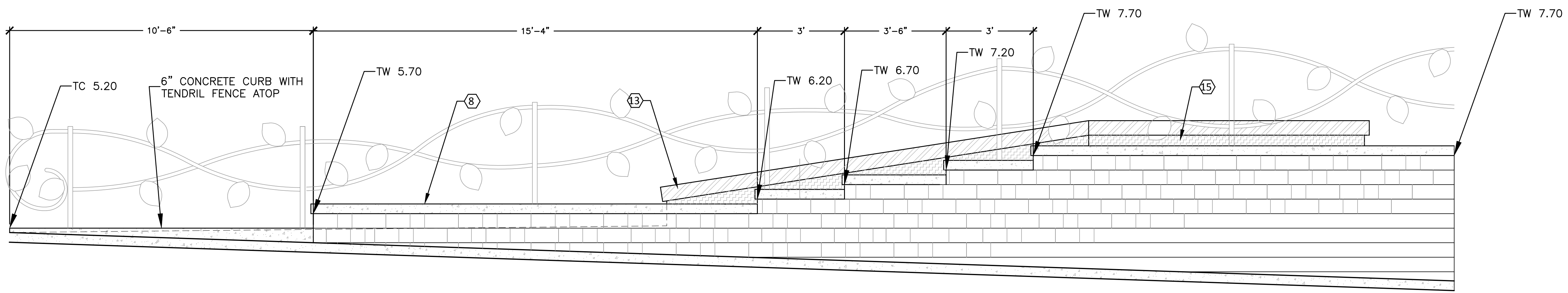
SHEET 41 OF 88



DETAIL-A KEYSTONE WALL FOOTING STEP DOWN ELEVATION

SCALE: 1/4"=1'

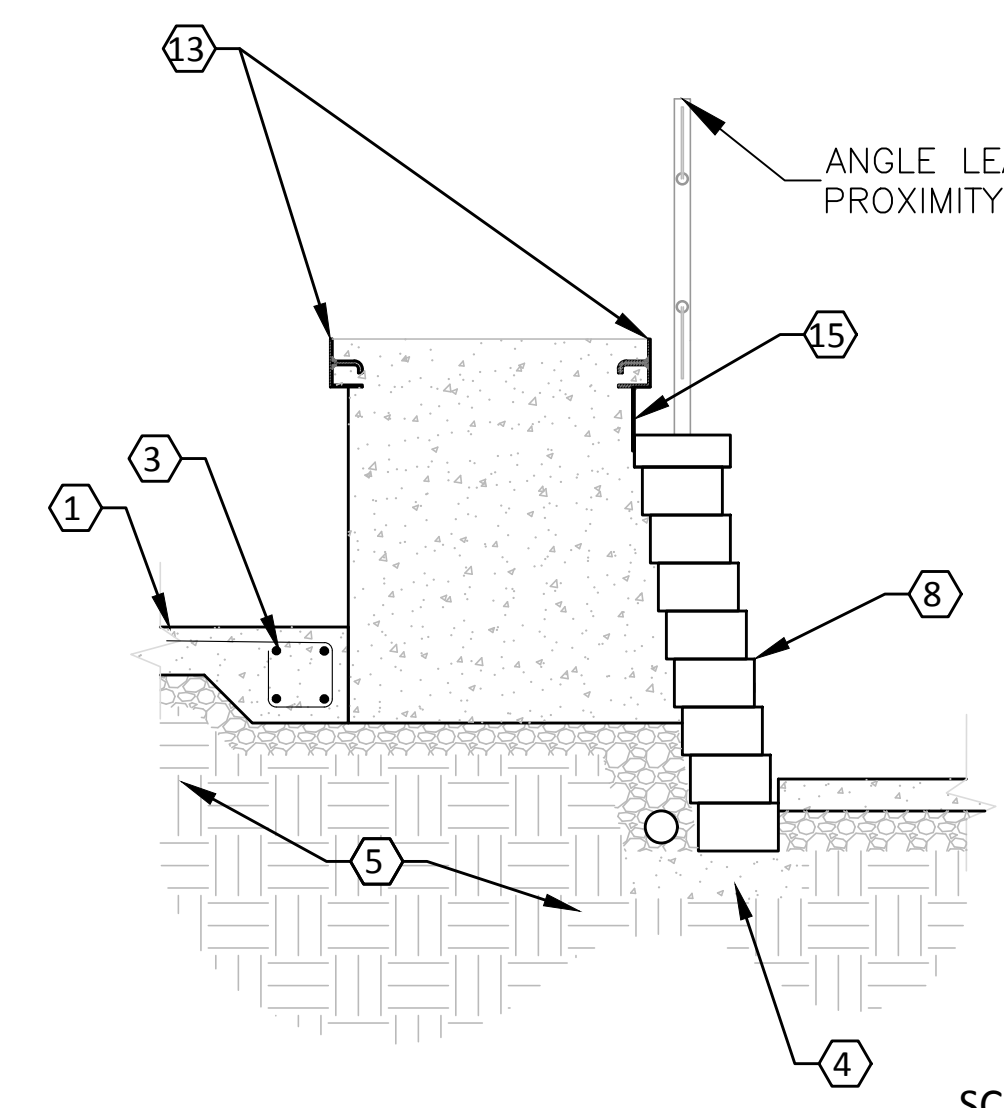
NOTE: TOP OF WALL ELEVATION DOES NOT INCLUDE WALL CAP



DETAIL-B KEYSTONE WALL STEP DOWN ELEVATION

SCALE: 1/2"=1'

NOTE: TOP OF WALL ELEVATION DOES NOT INCLUDE WALL CAP



DETAIL-C WALL AND SKATE FEATURE

SCALE: 1/2"=1'

DETAIL NOTES:

- 6" REINFORCED CONCRETE PAVING. REFER TO DETAIL 'A', SHEET LSC-5.
 - 6" SHOTCRETE RAMP W/SMOOTH TROWEL FINISH (TYP.) UNLESS OTHERWISE INDICATED ON PLAN
 - #4 REBAR AT 12" O.C., BOTH WAYS (TYP.)
 - 4" CRUSHED MISCELLANEOUS BASE (95% RELATIVE COMPACTION)
 - 90% RELATIVE COMPACTED SUBGRADE
 - COLD JOINT (TYP.) SEE DETAIL 'B', SHEET LSC-12.
 - TOP EDGE OF TRANSITION TO RECEIVE POWDER COATED ROUND STEEL EDGING PER DETAIL 'C', SHEET LSC-12
 - KEYSTONE RETAINING WALL WITH TENDRIL SAFETY FENCE.
 - 3x3 GRIND RAIL PER DETAIL 'G', SHEET LSC-9.
 - 3x3 GRIND RAIL PER DETAIL 'H', SHEET LSC-9.
 - EXPANSION JOINT WITH 12" LONG DOWEL AT 24" O.C., TO EXTEND 6" INTO ADJACENT CONCRETE FLATWORK
 - POOL COPING AND TILE SEE DETAIL 'F', SHEET LSC-12
 - 6"x4" BENT ANGLE SEE DETAIL 'D', SHEET LSC-12
 - 6" PLATE AT STAIRS SEE DETAIL 'E', SHEET LSC-12
 - COLD ROLLED 1/4" 1008 STEEL PLATE MIN. 12" WIDE
 - ZURN Z-415 DRAIN AND GRATE SEE DETAIL 'G', SHEET LSC-12
 - PLANTER CURB SEE DETAIL 'H', SHEET LSC-12
- NOTES:
- CONTRACTOR TO USE SHOTCRETE FOR ALL RAMP AREAS
 - SHOTCRETE/CONCRETE SHALL CONFORM TO SECTION 03360 OF THE STANDARD SPECIFICATIONS FOR PUBLIC WORKS CONSTRUCTION.
 - RAMP RADII SHOWN ARE FOR STRAIGHT, NON-CURVING SECTIONS OF RAMP; RADII WILL VARY WHERE RAMP CURVES HORIZONTALLY IN BOWL SECTIONS
 - HEIGHT AND LENGTH SHOWN ARE FOR TYPICAL RAMP SECTIONS.
 - DIMENSIONS WILL VARY PER GRADING AND STAKING PLANS.
 - CONTRACTOR TO USE SHOTCRETE FOR ALL RAMP AREAS
 - SHOTCRETE/CONCRETE SHALL CONFORM TO SECTION 03360 OF THE STANDARD SPECIFICATIONS FOR PUBLIC WORKS CONSTRUCTION.
 - RAMP RADII SHOWN ARE FOR STRAIGHT, NON-CURVING SECTIONS OF RAMP; RADII WILL VARY WHERE RAMP CURVES HORIZONTALLY IN BOWL SECTIONS

May 05, 2021 5:35pm luke morris C:\Users\Luke Morris\AppData\Local\Temp\AcPublish_14988\skate construction.dwg



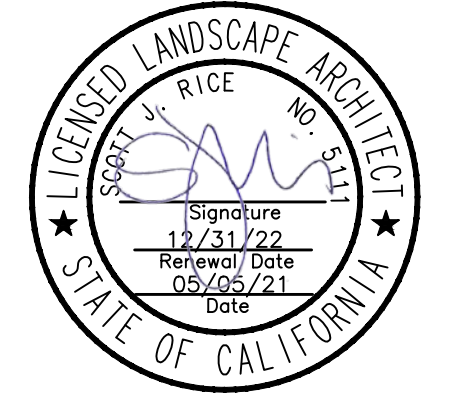
LANDSCAPE ARCHITECTURE

4649 Brockton Ave.
Riverside, CA 92506
Phone: (951) 369-0700
Fax: (951) 369-4039
www.cwdg.com

ENCHANTED HILLS PARK
1400 WESTON ROAD
PERRIS, CA 92570

JOB NUMBER: **190633**
DRAWN BY: **LM**
CHECKED BY: **DB**
DATE: **05/05/21**

REVISIONS:



SKATE SPOT CONSTRUCTION DETAILS

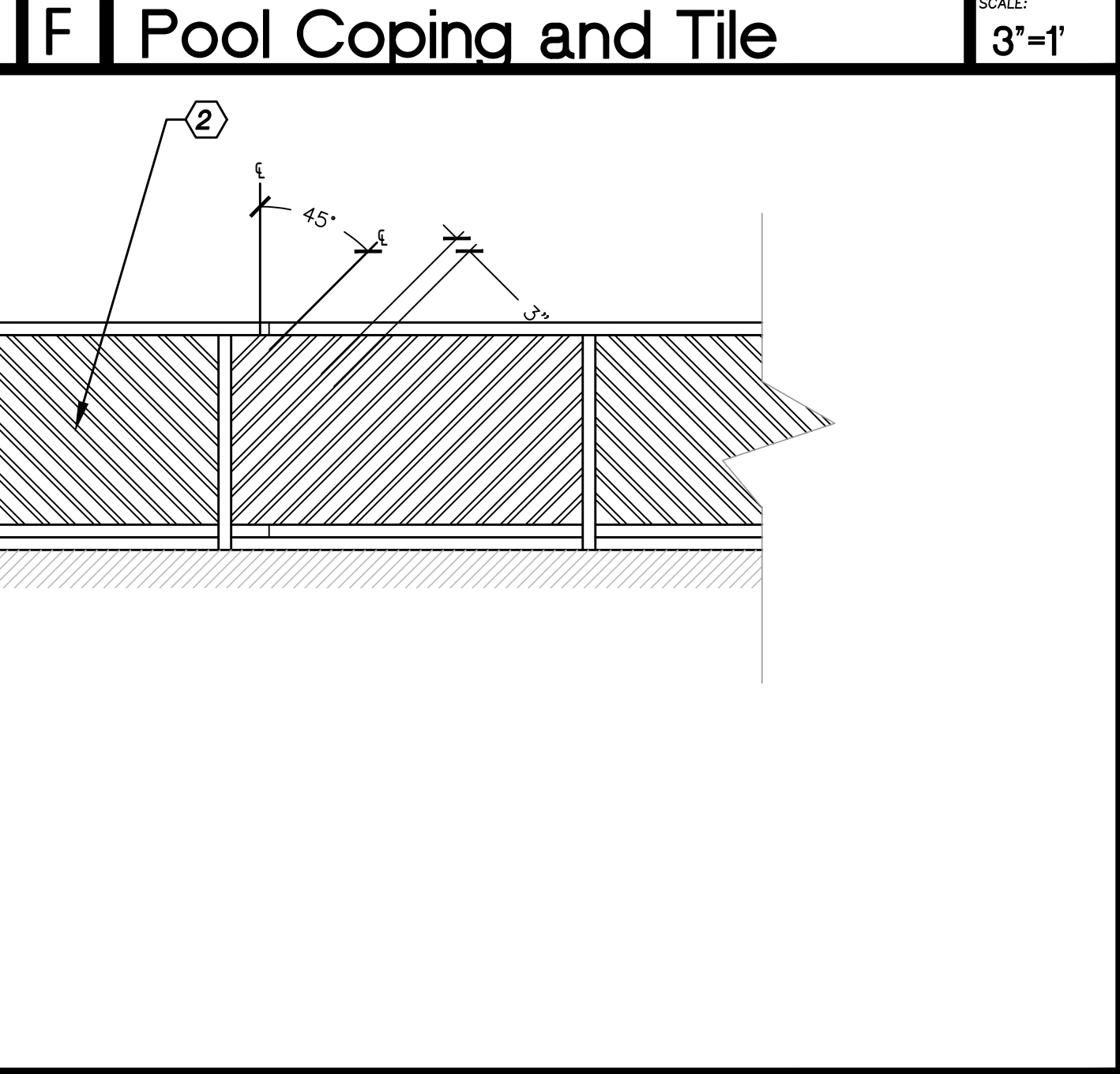
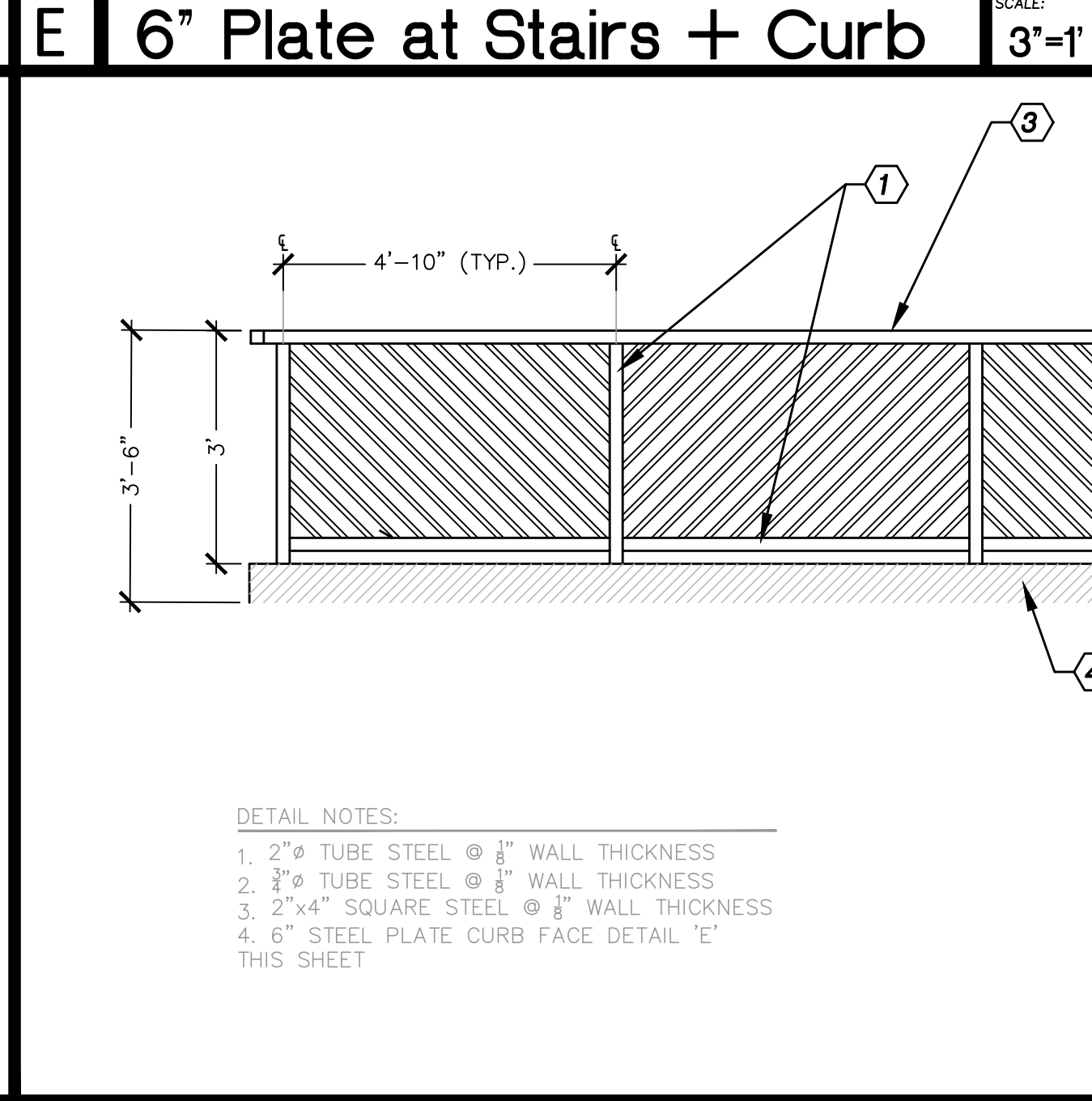
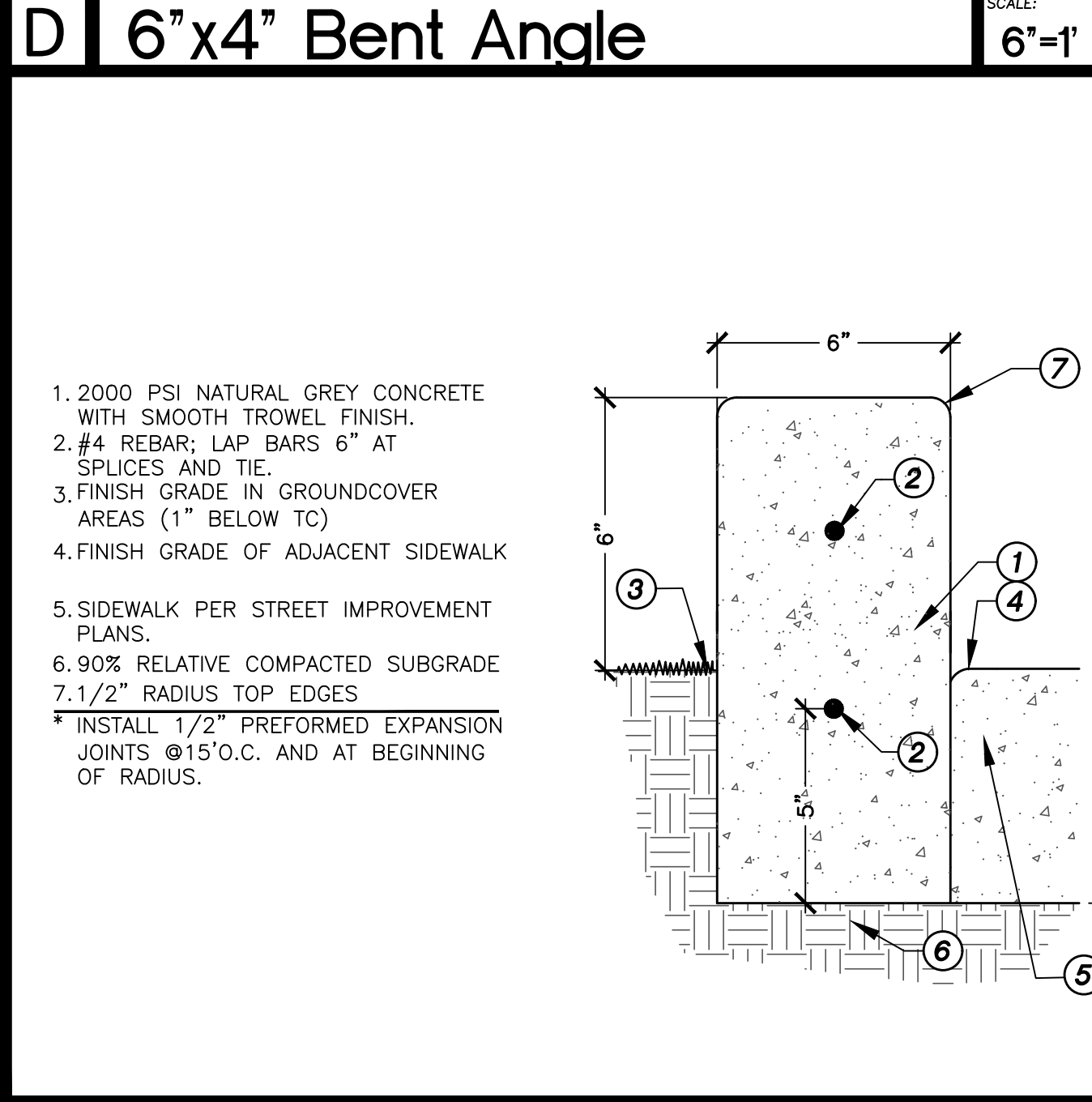
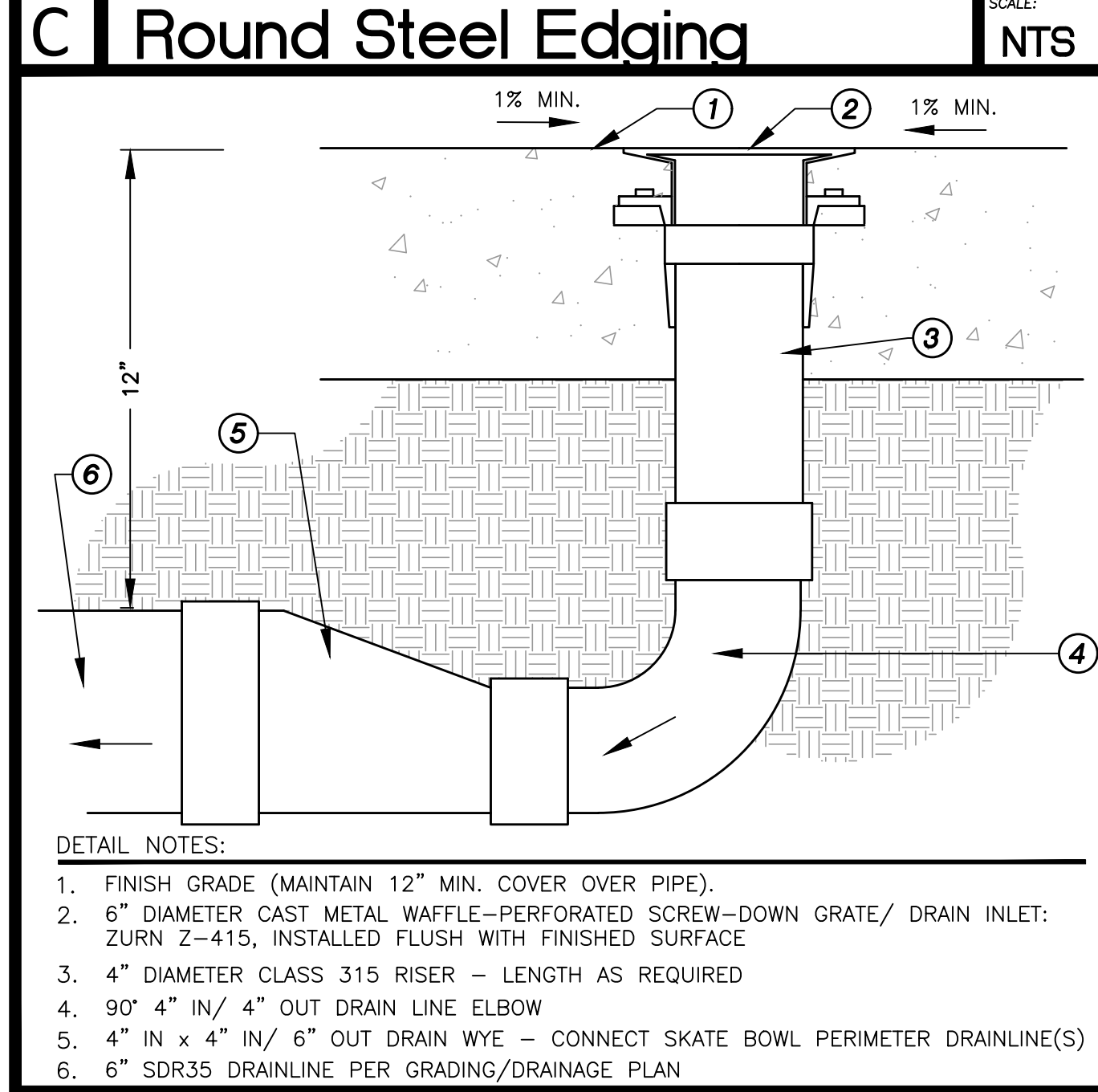
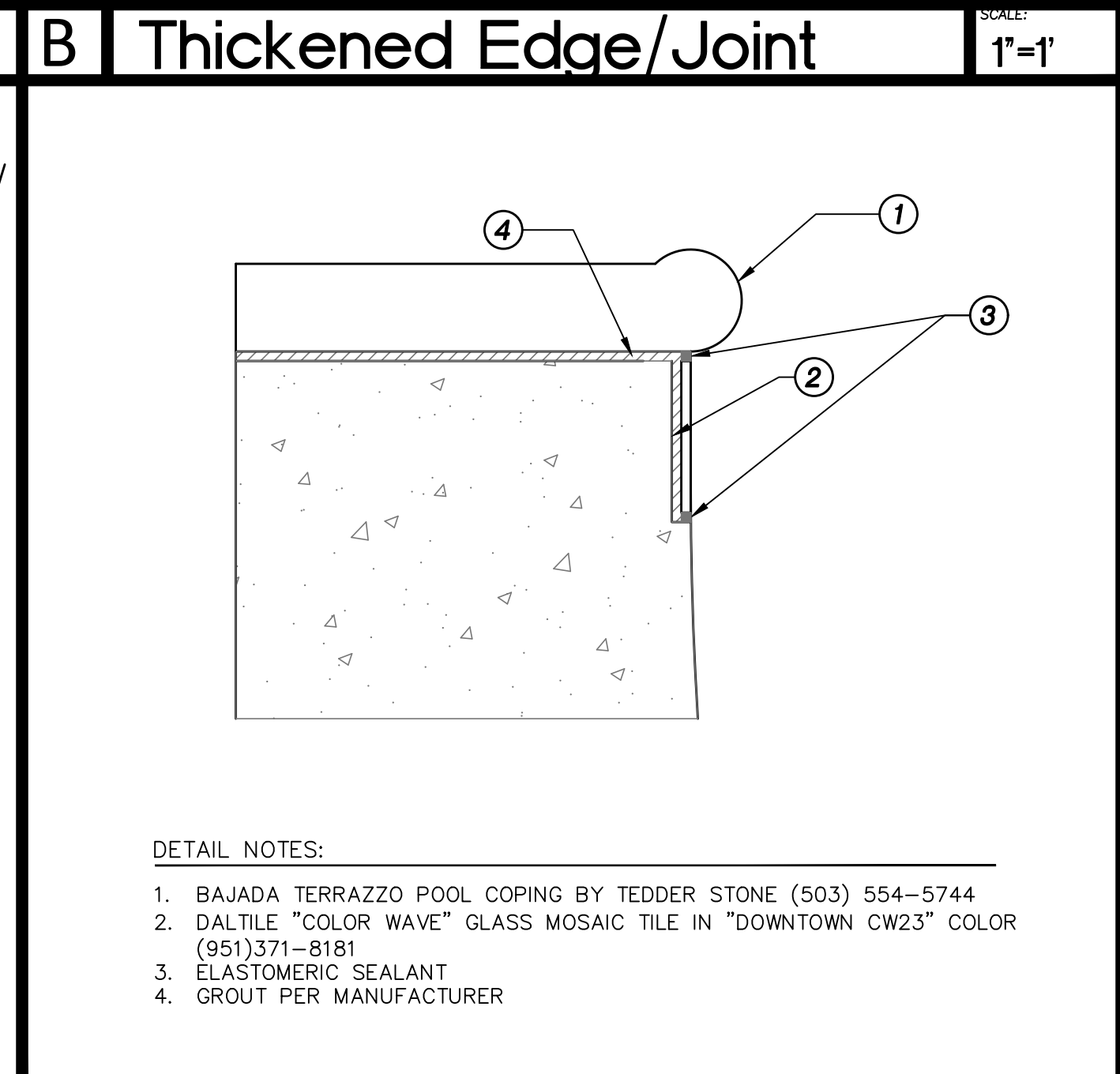
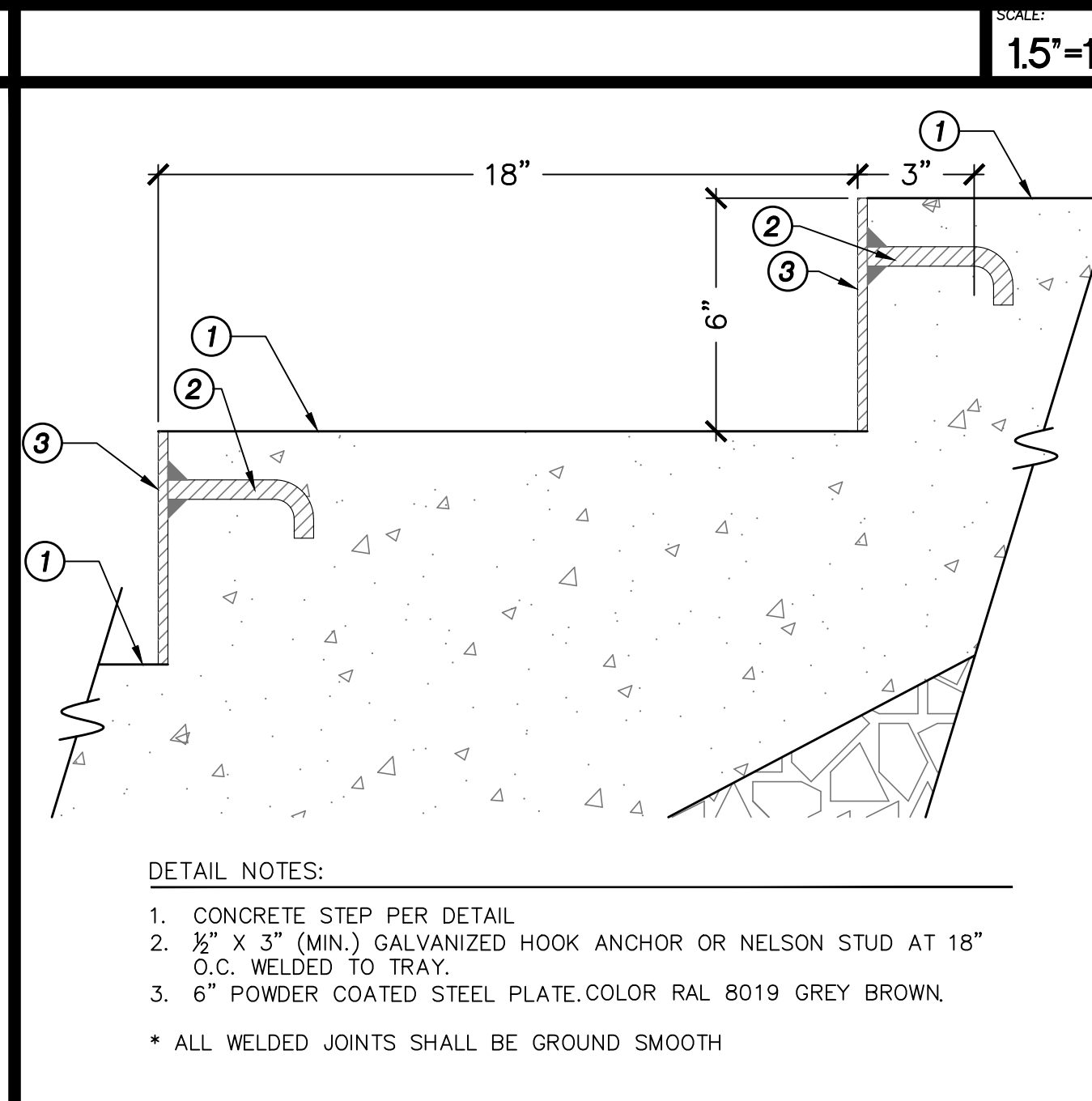
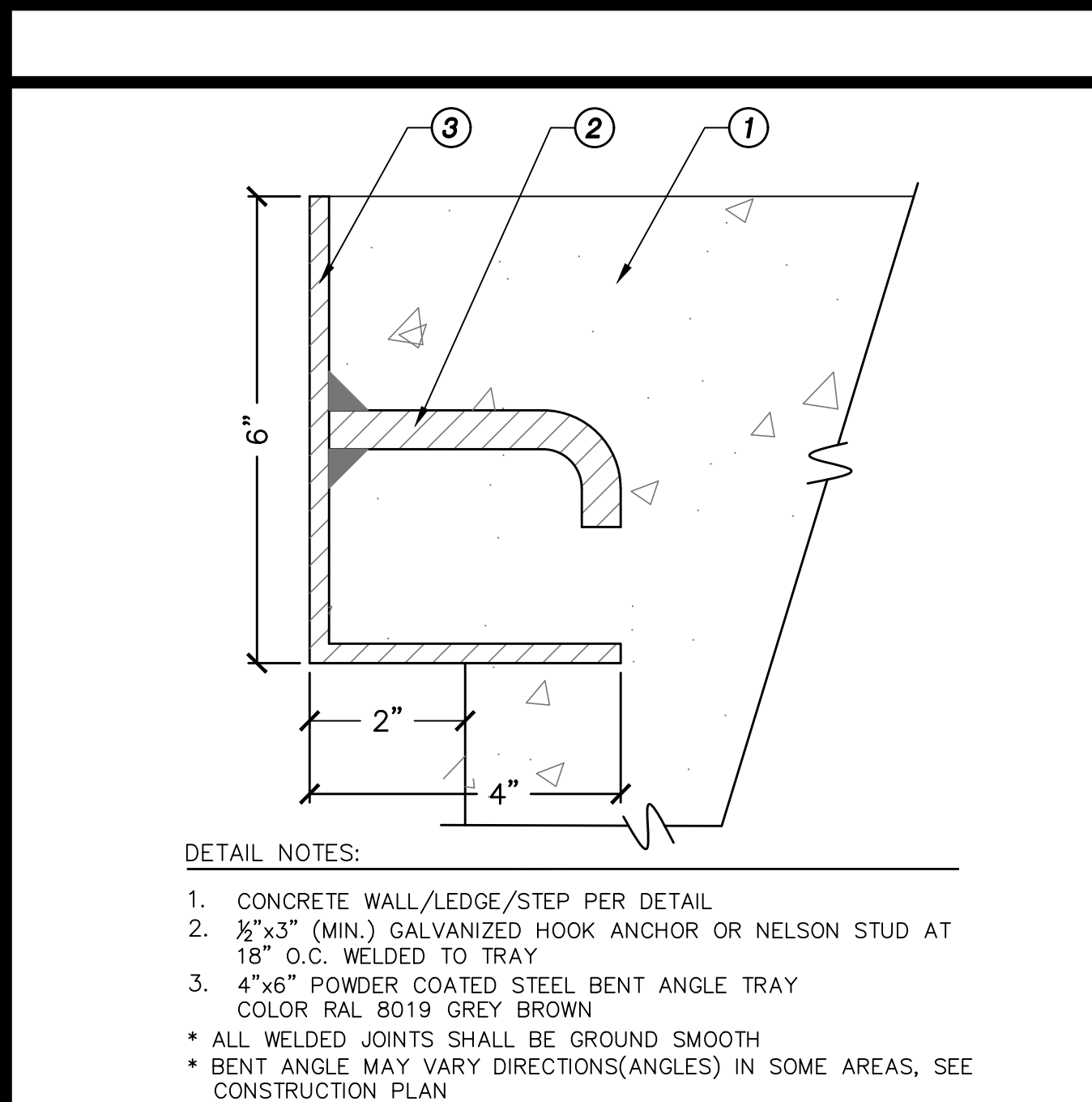
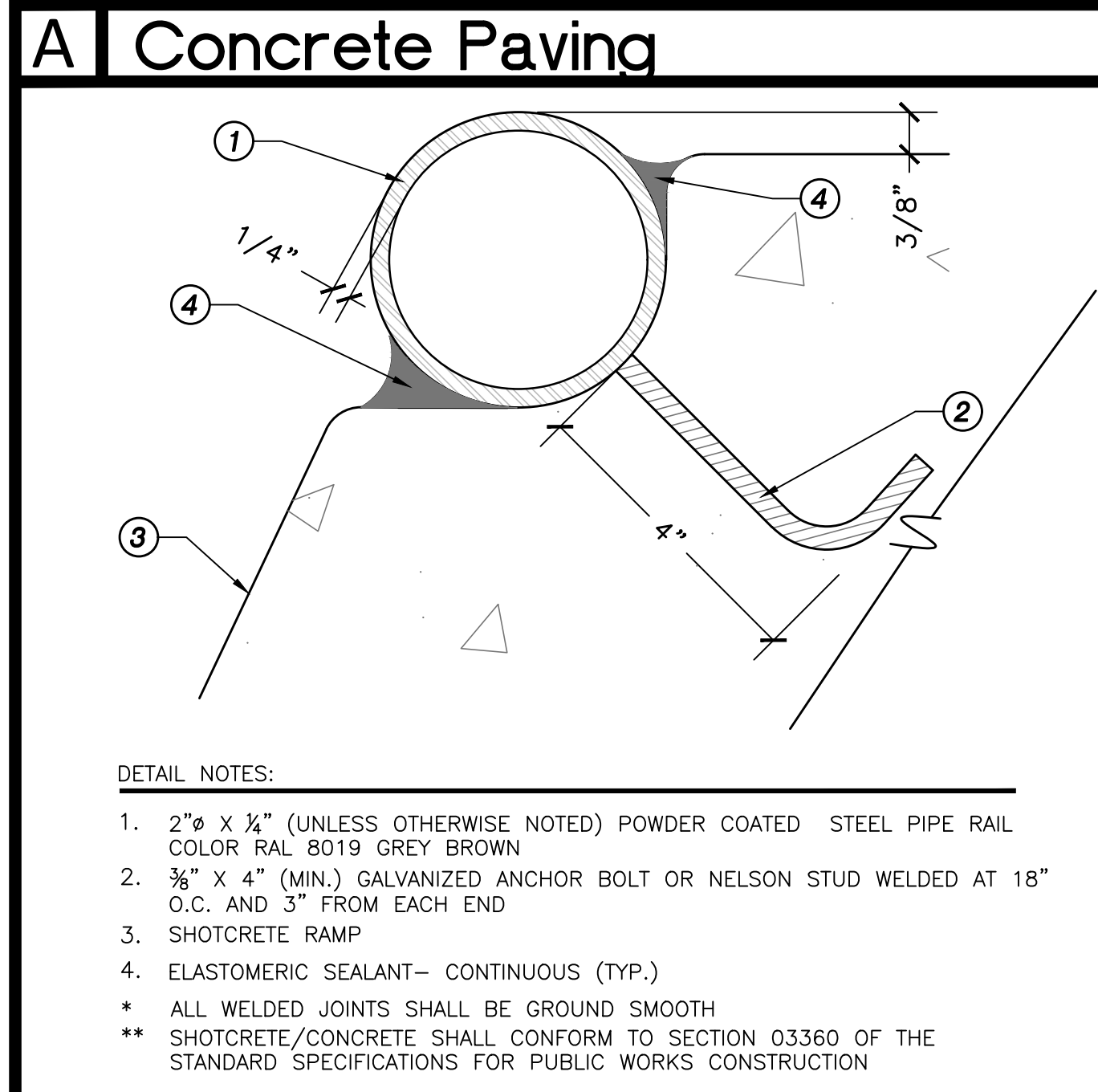
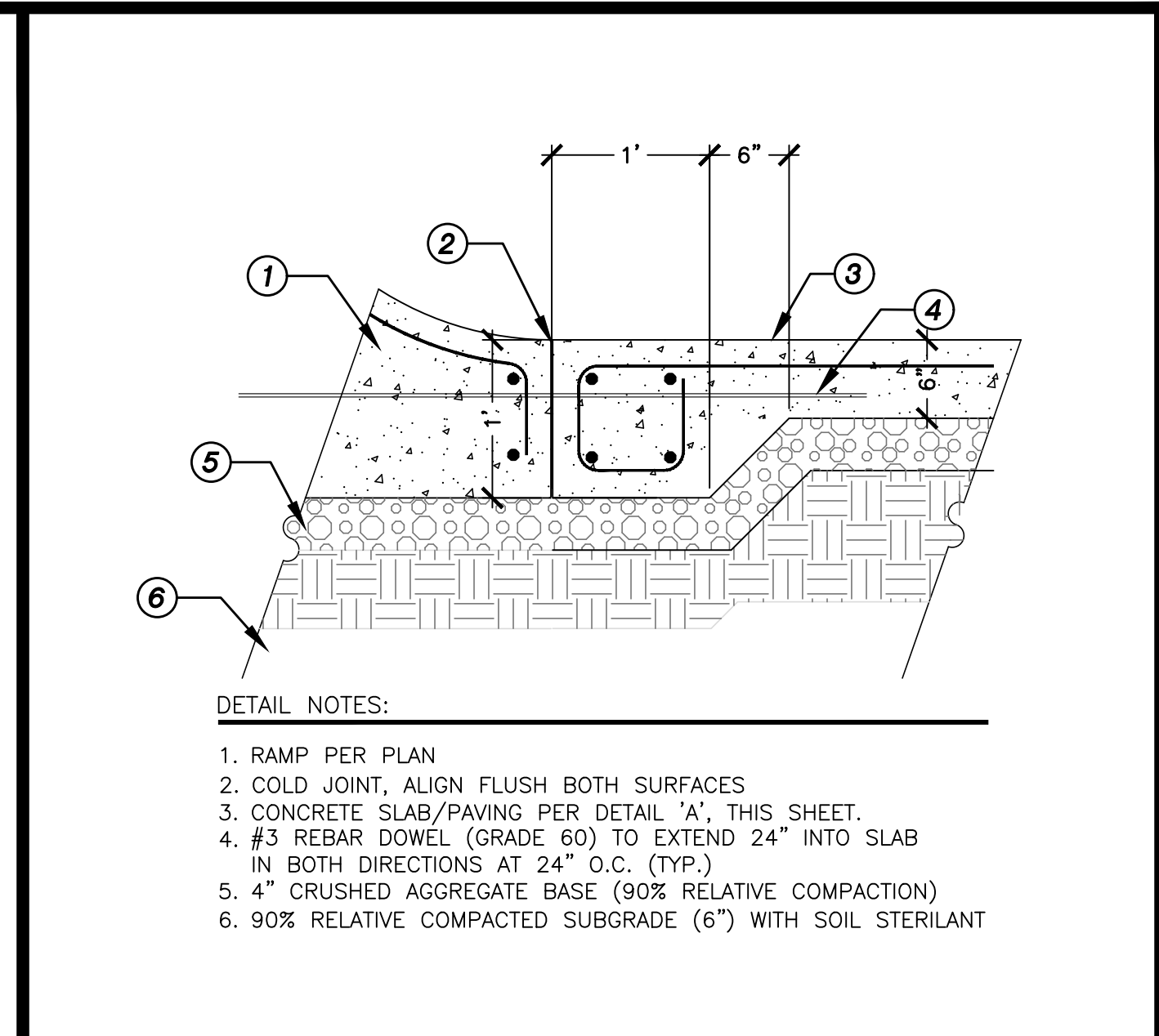
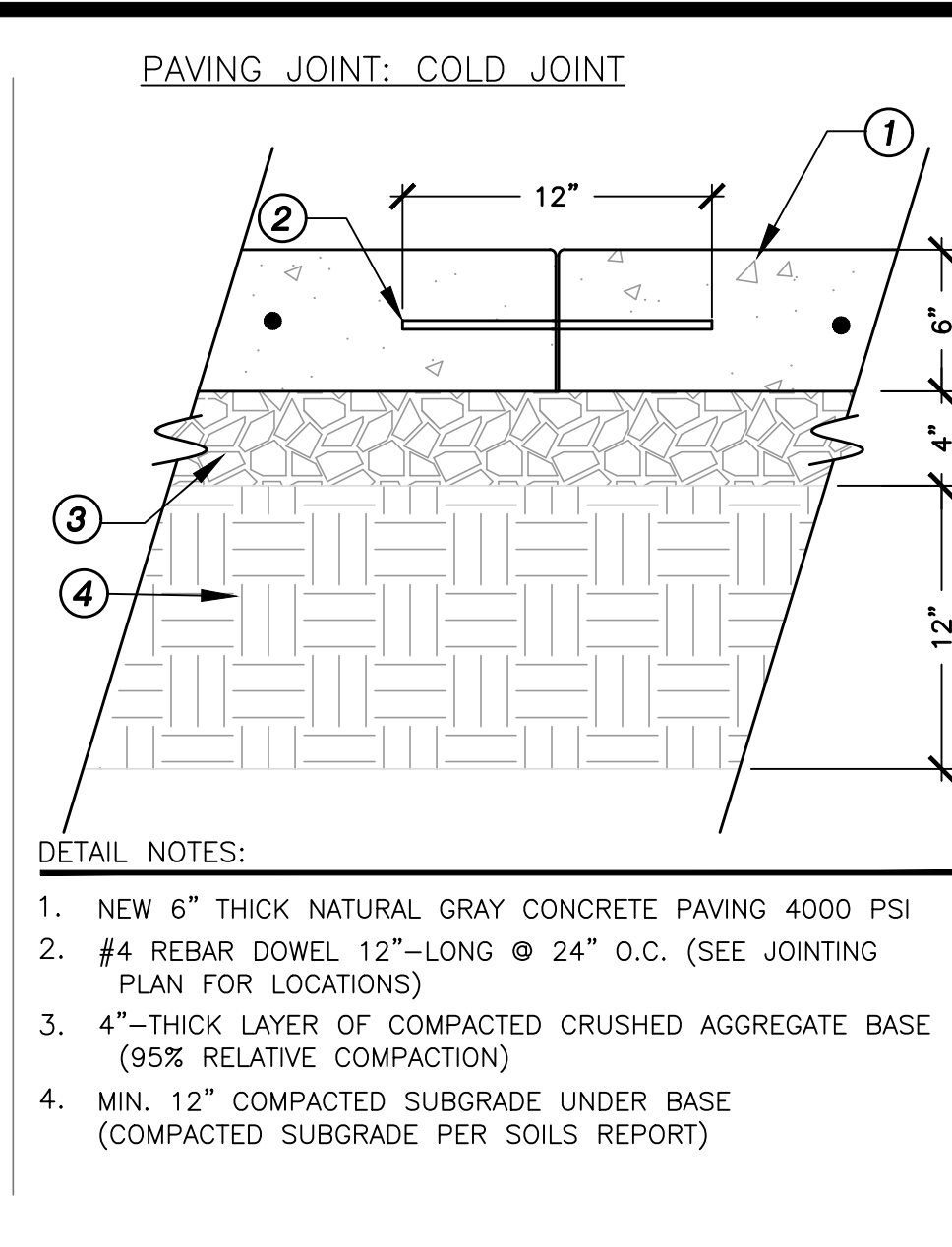
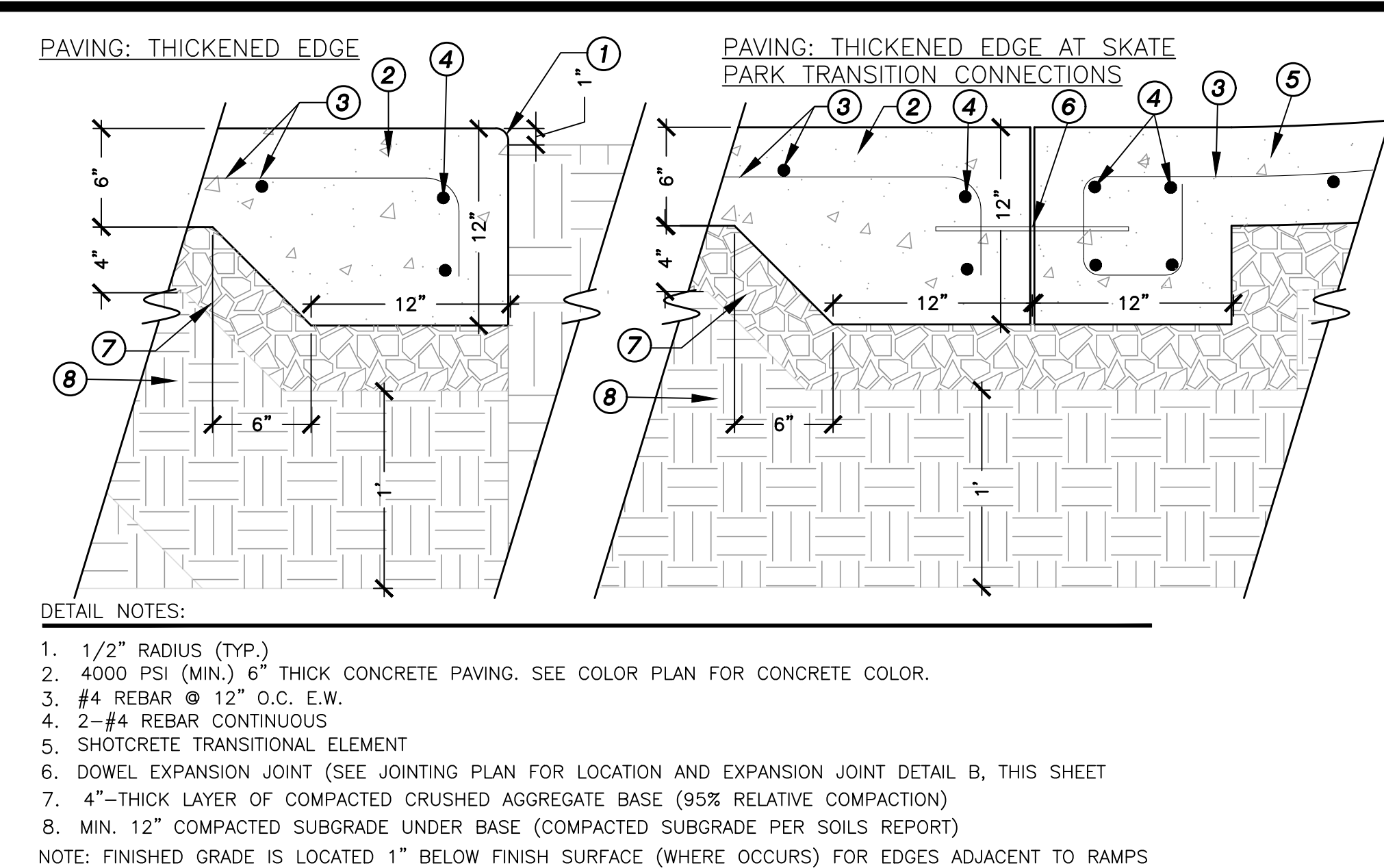
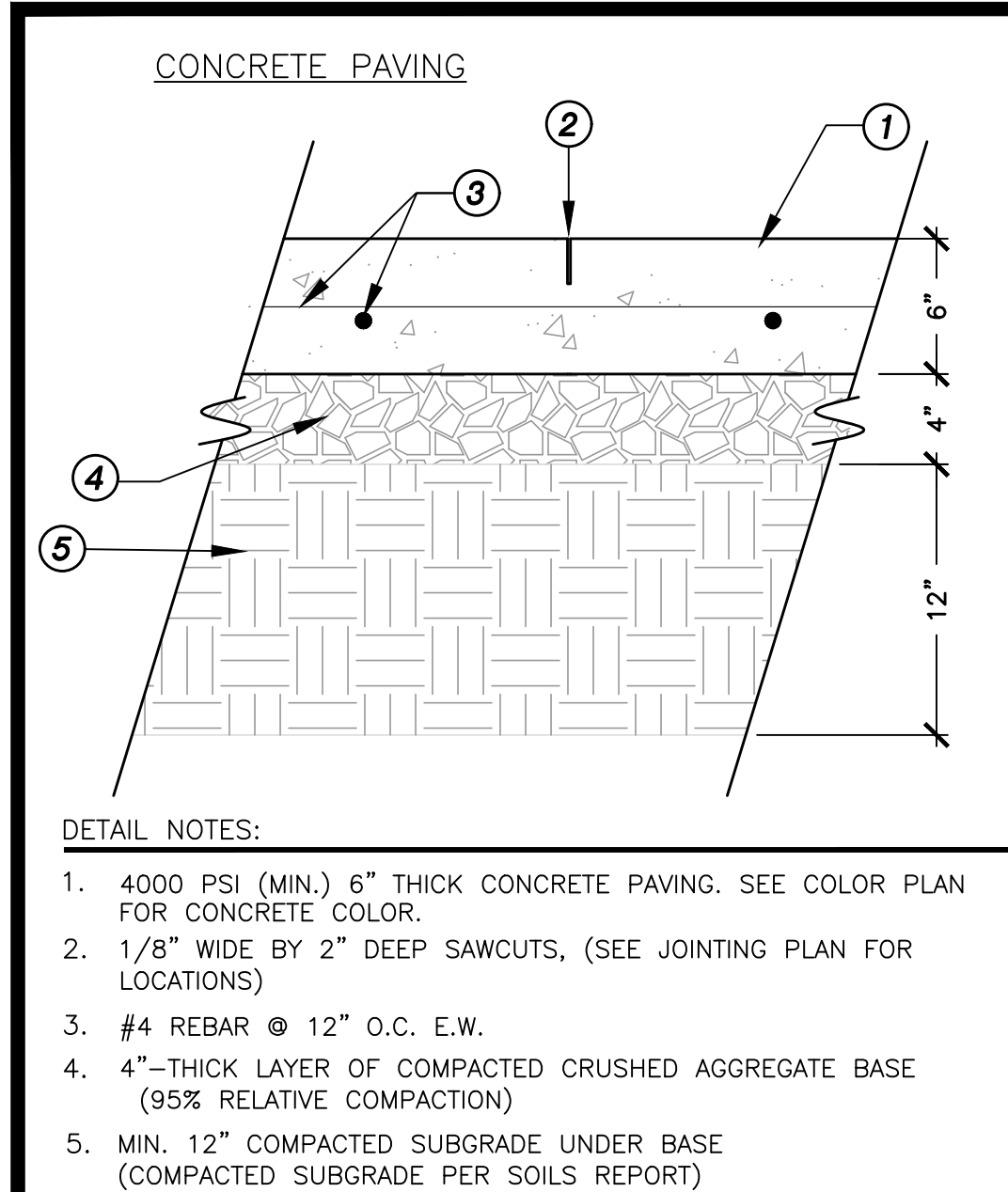
SCALE: VARIES



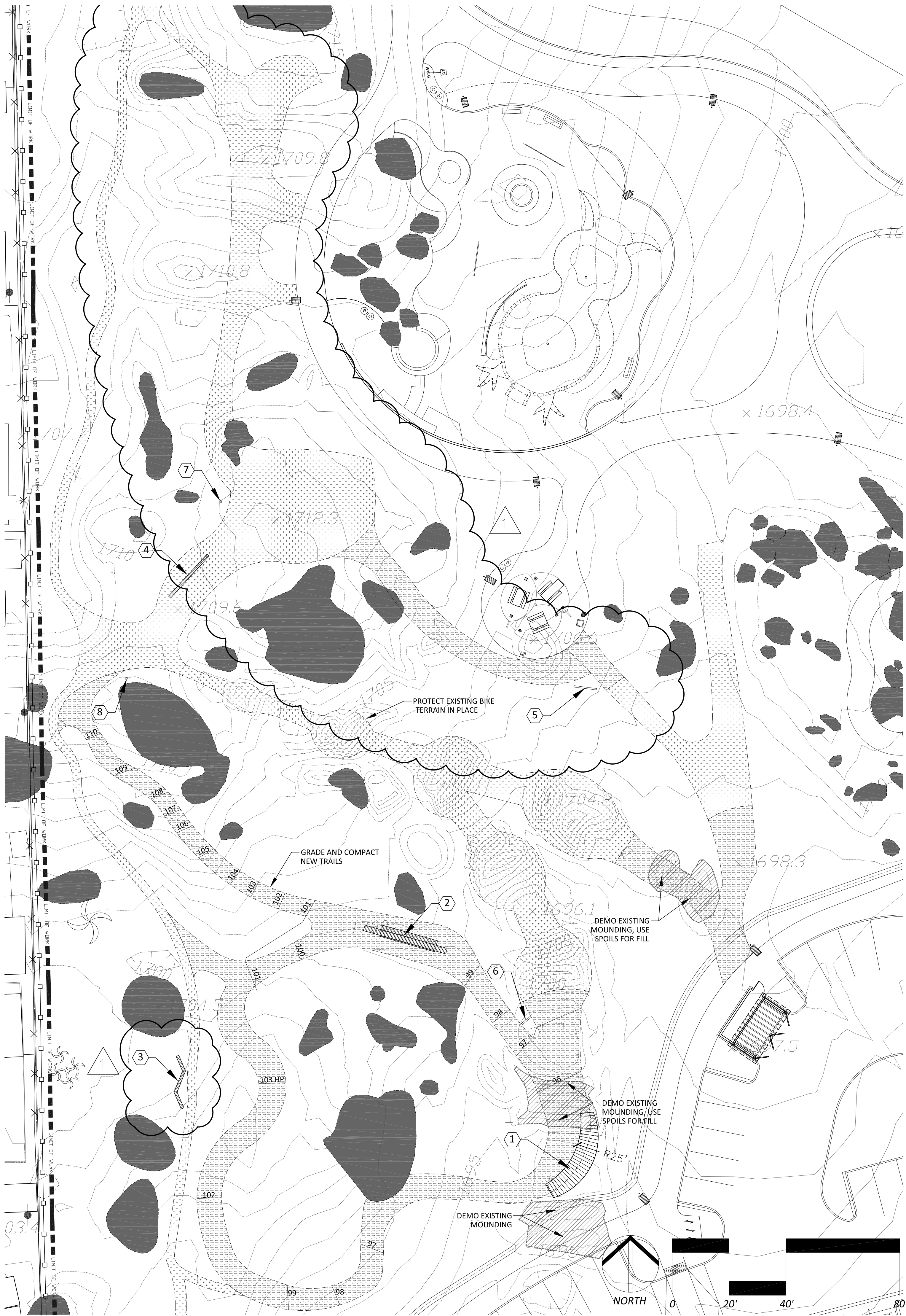
Know what's below.
Call before you dig.

LSC-12

SHEET 42 OF 88



May 05, 2021 - 5:35pm luke_morris C:\Users\Luke_Morris\AppData\Local\Temp\AcPublish_14988\skate_construction.dwg



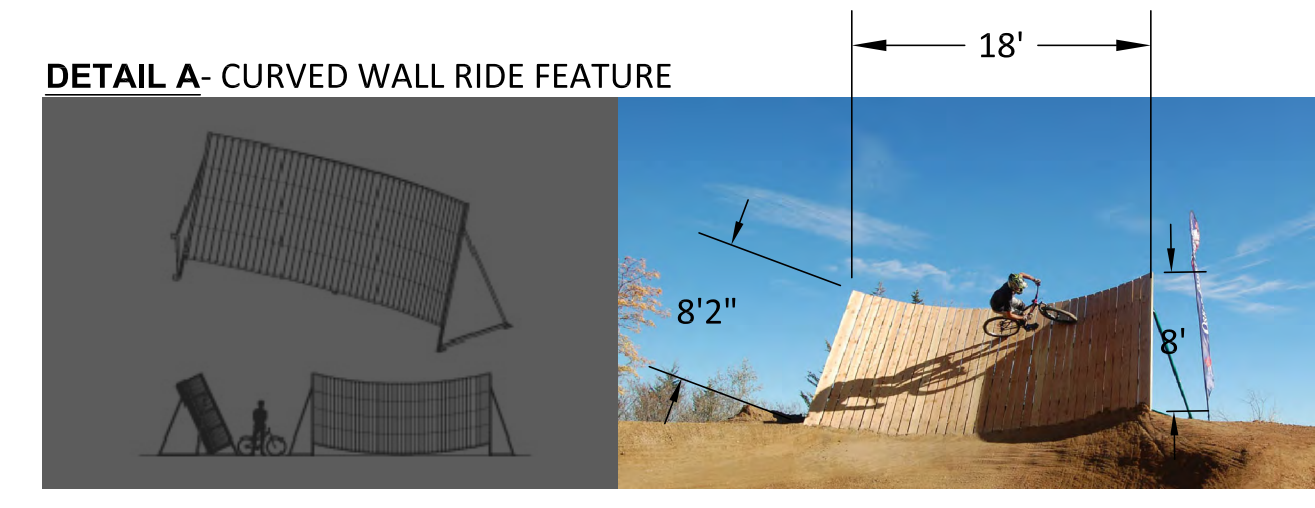
BIKE IMPROVEMENT CONSTRUCTION LEGEND:

DESCRIPTION	PER SHEET	TOTAL QTY.*	DETAIL
AGILITY FEATURES			
1 WALL RIDE FEATURE			DETAIL 'A' SHEET LBC-1
2 ROLLER COASTER FEATURE			DETAIL 'B' SHEET LBC-1
3 AGILITY FEATURE 1			DETAIL 'C' SHEET LBC-1
4 AGILITY FEATURE 2			DETAIL 'D' SHEET LBC-1

SIGNAGE

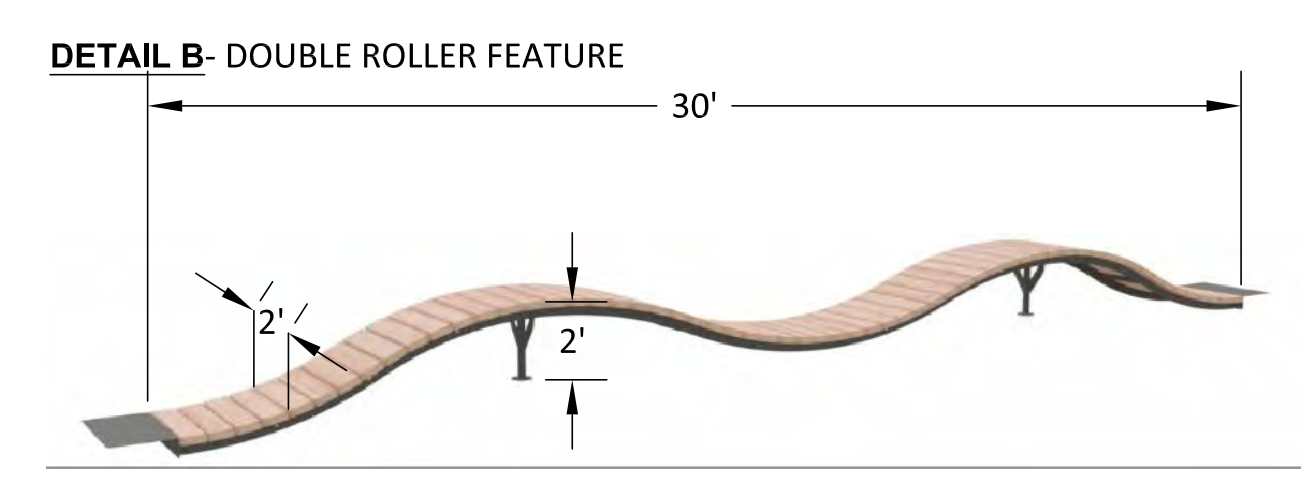
5 WELCOME SIGN			DETAIL 'C' SHEET LC-16
6 CAUTION SIGN MERGING			DETAIL 'E' SHEET LBC-1
7 WAYFINDING SIGN #1			DETAIL 'E' SHEET LBC-1
8 WAYFINDING SIGN #2			DETAIL 'E' SHEET LBC-1

- PROTECT EXISTING TRAILS & TERRAIN IN PLACE FILL & COMPACT EROSION RUTS WHERE NOTED APPROXIMATELY: 13,200 SQUARE FEET
- GRADE AND COMPACT NEW TRAILS PER PLAN APPROXIMATELY: 8,100 SQUARE FEET
- EXISTING BOULDERS, PROTECT IN PLACE
- DEMO EXISTING MOUNDS USE SOIL TO FILL/ GRADE OTHER AREAS APPROXIMATELY: 45 CUBIC YARDS

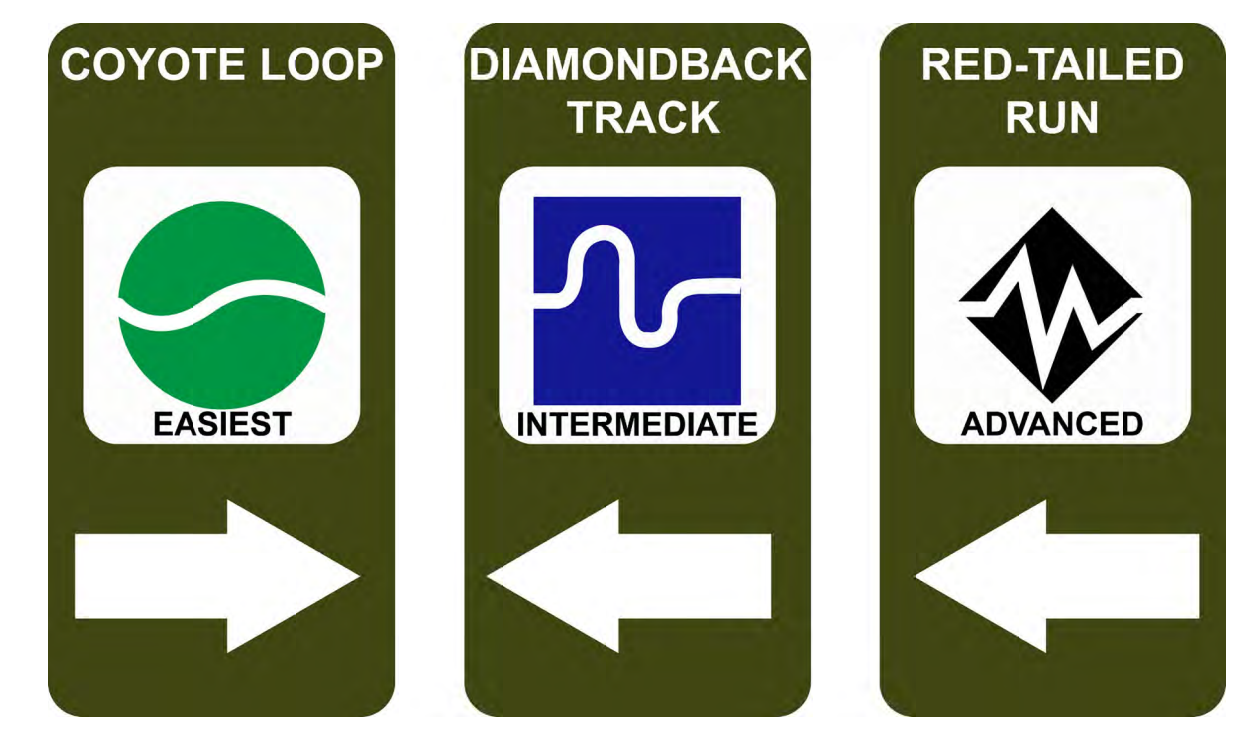
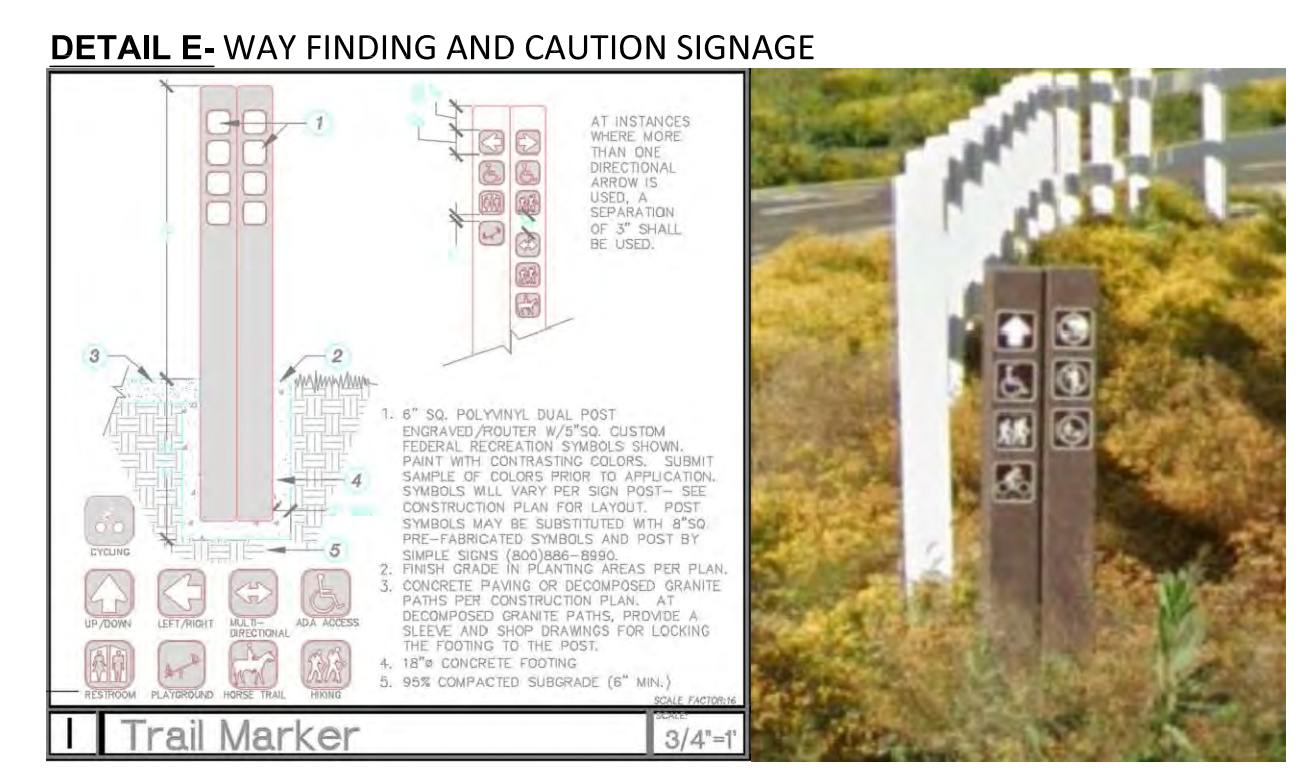
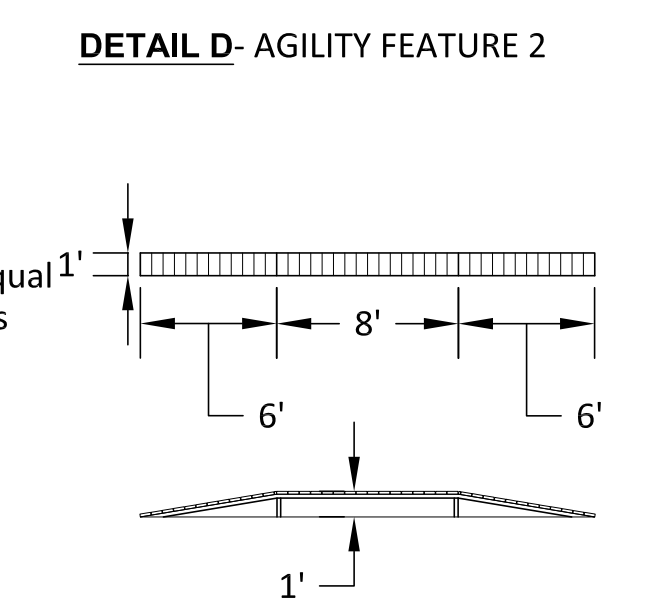
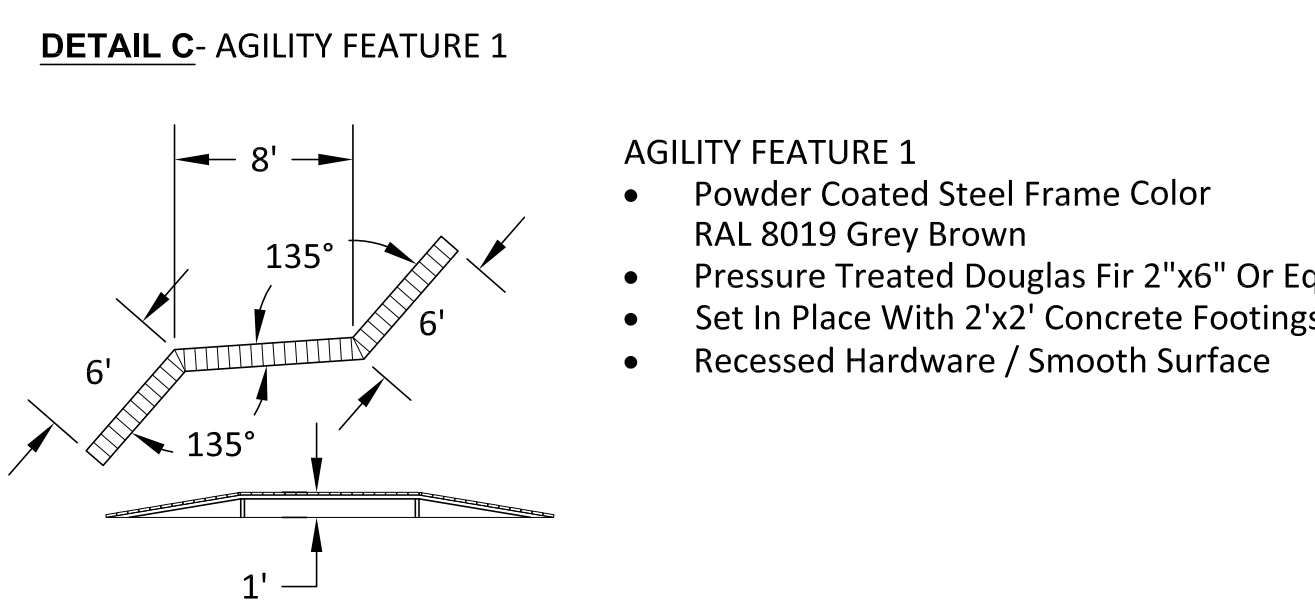


- CURVED WALL RIDE FEATURE**
- Powder Coated Steel Frame Color RAL 8019 Grey Brown
 - Pressure Treated Douglas Fir 2"x6" Or Equal
 - Set In Place With 2'x2' Concrete Footings
 - Recessed Hardware / Smooth Surface

BIKE FEATURES NOTE:
 Per SITES Prerequisite 5.1: Do not use wood species for any new wood products purchased and installed for the project (including planting mulch) or temporary wood used during construction (e.g., formwork, pallets, guardrails) that meets the following criteria: Listed by the Convention on International Trade in Endangered Species (CITES) as threatened with extinction (Appendix I); Listed by CITES as requiring trade controls in order to avoid utilization incompatible with their survival (Appendix II); and/or On the International Union for Conservation of Nature (IUCN) "Red List of Threatened Species" as extinct in the wild (EW), critically endangered (CR), and endangered (EN).



- DOUBLE ROLLER FEATURE**
- Powder Coated Steel Frame Color RAL 8019 Grey Brown
 - Pressure Treated Douglas Fir 2"x6" Or Equal
 - Set In Place With 2'x2' Concrete Footings
 - Recessed Hardware / Smooth Surface



SPECIALTY CONSTRUCTION NOTE:
 MANY OF THE CONSTRUCTION ELEMENTS WITHIN THE BIKE SPOT PLAN SHEETS ARE CONSIDERED SPECIALTY ITEMS AND SHALL BE BUILT BY A QUALIFIED TRAIL BUILDER SUBCONTRACTOR FROM THE RECOMMENDATIONS BELOW (LISTED IN ALPHABETICAL ORDER) OR AN ACTIVE MEMBER OF PROFESSIONAL TRAILBUILDERS ASSOCIATION

- BELLFREE CONTRACTORS INC.
- GEOCON SKATEPARKS
- GRINDLINE SKATEPARKS
- SPOHN RANCH SKATEPARKS

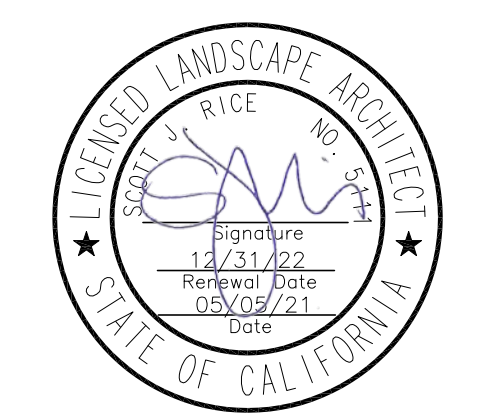
COMMUNITY WORKS DESIGN GROUP
 LANDSCAPE ARCHITECTURE
 4649 Brockton Ave.
 Riverside, CA 92506
 Phone: (951) 369-0700
 Fax: (951) 369-4039
 www.cwdg.fun

ENCHANTED HILLS PARK

1400 WESTON ROAD
 PERRIS, CA 92570

JOB NUMBER: 190633
 DRAWN BY: LM
 CHECKED BY: DB
 DATE: 05/05/21

REVISIONS:
 1 5/5/21 BID ADDENDUM #1

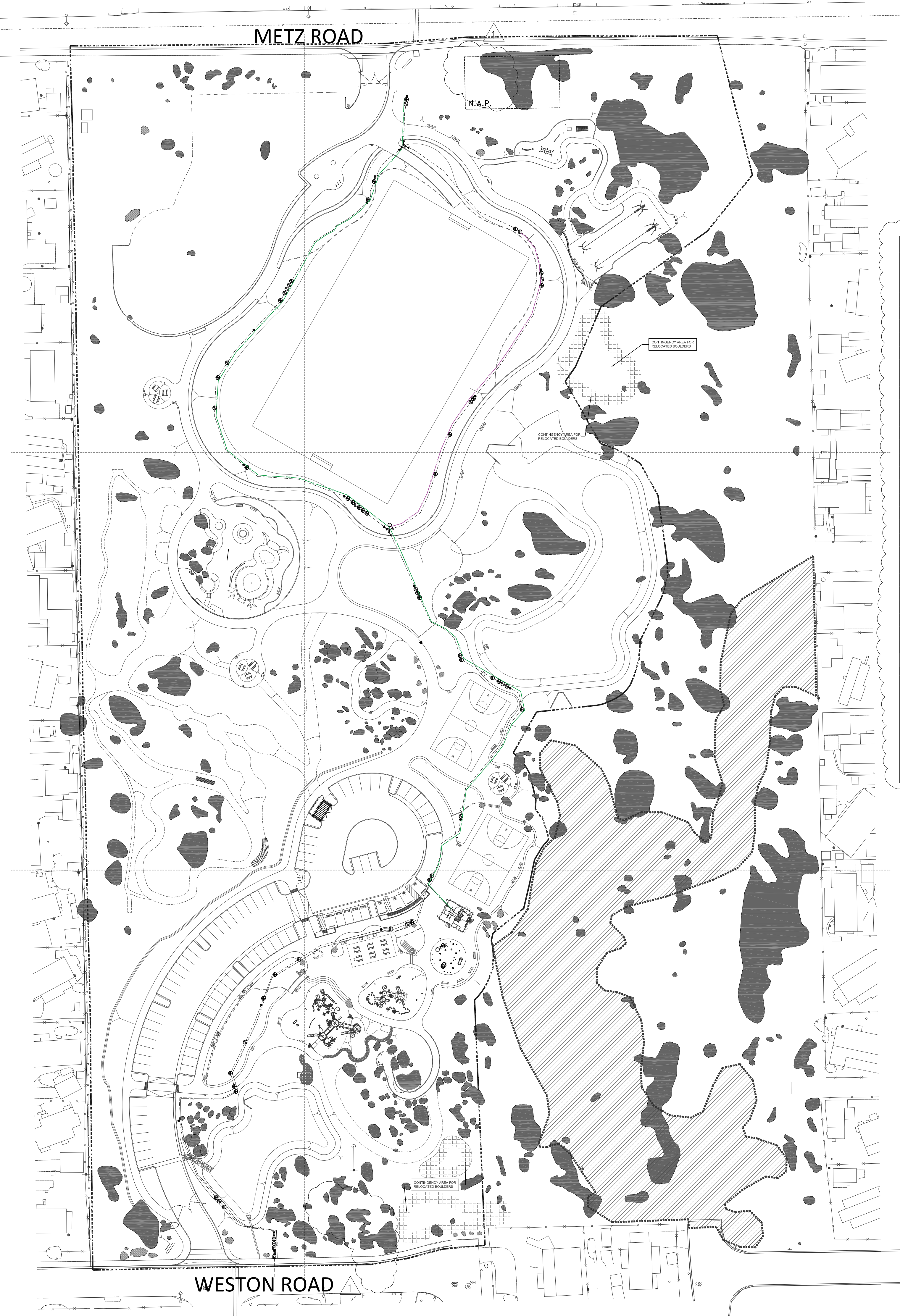


ADD ALTERNATE #5 BIKE CONSTRUCTION PLAN

SCALE: 1"=20'

811
 Know what's below.
 Call before you dig.

May 05, 2021 - 4:47pm Allison Rush
 F:\Enchanted Hills Park - Perris\CD's\irrigation- Base Bid.dwg



P.O.C. INFORMATION

METER SIZE 2"
 WATER TYPE POTABLE
 STATIC PRESSURE 63 PSI
 PEAK DEMAND 100 GPM
 SOURCE AT EMWD ZONE MAP
 DATE INFO OBTAINED 9/4/2020

California Water Efficient Landscape Worksheet						
Hydrozone # / Planting Description	Plant Factor (PF)	Irrigation Method	Project Type (ETAF) (PFIE)	Non-Residential Landscape Area (Sq. Ft.)	ETAF x Area	Estimated Total Water Use (ETWU)
Shrubs	0.3	Drip	0.81	90,270	33,433	1,261,132
Trees	0.4	Bubbler	0.81	810	400	15,088
Shrubs Overhead	0.4	Overhead	0.75	44,370	23,664	892,625
Oak Trees	0.2	Drip	0.81	570	141	5,309
Totals				136,020	57,638	2,174,154
Special Landscape Areas						
Turf Rotor	0.7	Overhead	0.75	84,985	79,319	2,991,989
Totals				84,985	79,319	2,991,989
					ETWU Total	5,166,143
					Maximum Allowed Water Allowance (MAWA)	5,514,555

Regular Landscape Areas		All Landscape Areas	
Total ETAF x Area	57,638	Total ETAF x Area	136,957
Total Area	136,020	Total Area	221,005
Average ETAF	0.42	Average ETAF	0.62

July Run Time & Water Use by Flow

Valve	Irr Type	Hydrozone	Flow	Initial Run Time/Day	Established Run Time/Day	Days per Week	Gal per Week	Gal per Month: July
1	Drip Emit	Shrubs	6	33	27	3	486	1944
2	Rotor	Basin	66	32	26	3	5148	20592
3	Drip Emit	Shrubs	4	33	27	3	324	1296
4	Drip Emit	Shrubs	23	33	27	3	1863	7452
5	Drip Emit	Shrubs	16	33	27	3	1296	5184
6	Drip Emit	Shrubs	14	33	27	3	1134	4536
7	Rot Spray	Meadow	31	32	26	3	2418	9672
8	Drip Emit	Shrubs	12	33	27	3	972	3888
9	Drip Emit	Shrubs	7	33	27	5	945	3780
10	Drip Emit	Shrubs	2	33	27	5	270	1080
11	Drip Emit	Shrubs	8	33	27	5	1080	4320
12	Bubbler	Trees	30	5	4	5	600	2400
13	Drip Emit	Shrubs	12	33	27	5	1620	6480
14	Drip Emit	Shrubs	17	33	27	3	1377	5508
15	Drip Emit	Oak Tree	3	21	17	5	255	1020
16	Rot Spray	Meadow	15	32	26	3	1170	4680
17	Drip Emit	Shrubs	14	33	27	5	1890	7560
18	Rotor	Basin	52	32	26	3	4056	16224
19	Rotor	Basin	53	32	26	3	4134	16536
20	Rotor	Basin	48	32	26	5	6240	24960
21	Drip Emit	Shrubs	7	33	27	3	567	2268
22	Drip Emit	Shrubs	18	33	27	3	1458	5832
23	Drip Emit	Shrubs	10	33	27	3	810	3240
24	Drip Emit	Shrubs	7	33	27	3	567	2268
25	Rotor	Meadow	42	32	26	3	3276	13104
26	Rotor	Meadow	39	32	26	3	3042	12168
27	Bubbler	Trees	18	5	4	3	216	864
28	Drip Emit	Shrubs	16	33	27	3	1296	5184
Totals			590				48,510	194,040

Valve	Irr Type	Hydrozone	Flow	Initial Run Time/Day	Established Run Time/Day	Days per Week	Gal per Week	Gal per Month: July
29	Drip Emit	Shrubs	23	33	27	3	1863	7452
30	Drip Emit	Shrubs	23	33	27	3	1863	7452
31	Drip Emit	Shrubs	13	33	27	3	1053	4212
32	Rotor	Turf	63	24	20	5	6300	25200
33	Drip Emit	Shrubs	19	33	27	3	1539	6156
34	Rotor	Turf	63	24	20	3	3780	15120
35	Rotor	Turf	42	34	28	5	5880	23520
36	Rotor	Turf	35	34	28	3	2940	11760
37	Rotor	Turf	61	45	37	3	6771	27084
38	Rotor	Turf	61	45	37	3	6771	27084
39	Rotor	Turf	61	45	37	3	6771	27084
40	Rotor	Turf	46	45	37	3	5106	20424
41	Rotor	Turf	63	24	20	3	3780	15120
42	Drip Emit	Shrubs	9	33	27	3	729	2916
43	Rotor	Turf	66	24	20	3	3960	15840
44	Drip Emit	Oak Tree	3	21	17	5	255	1020
45	Drip Emit	Shrubs	16	33	27	3	1296	5184
46	Rotor	Turf	63	24	20	3	3780	15120
47	Rotor	Turf	61	45	37	3	6771	27084
48	Rotor	Turf	61	45	37	3	6771	27084
49	Rotor	Shrubs	32	32	26	3	2496	9984
50	Rotor	Turf	63	24	20	3	3780	15120
51	Rotor	Shrubs	36	32	26	3	2808	11232
52	Drip Emit	Shrubs	4	33	27	3	324	1296
53	Drip Emit	Shrubs	18	33	27	5	2430	9720
54	Bubbler	Trees	6	5	4	3	72	288
55	Drip Emit	Shrubs	8	33	27	3	648	2592
Totals			1,019				90,537	362,148

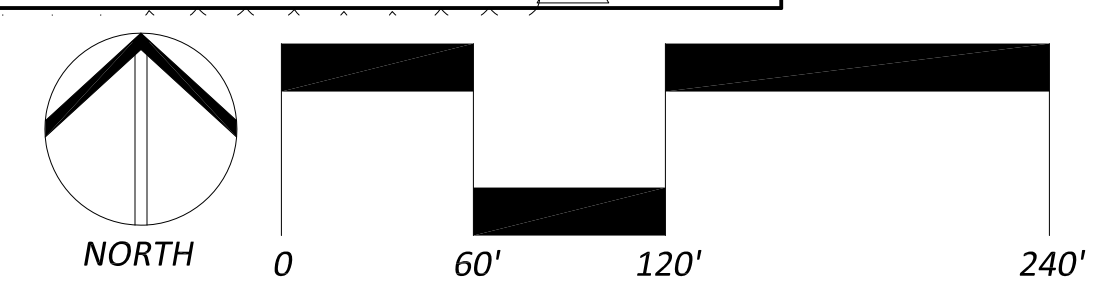
Monthly Eto:	Jan	Feb	Mar	Apr	May	Jun	Jul	Aug	Sep	Oct	Nov	Dec	Yearly
2.3	2.89	4.47	5.85	6.3	7.96	8.12	7.66	5.85	4.45	2.84	2.15	60.84	
28%	36%	55%	72%	78%	98%	100%	94%	72%	55%	35%	26%		

Total Water Use: 4,167,300 gal/year

EQUIPMENT LEGEND

SYMBOL	MANUFACTURER/MODEL #	SIZE	DETAIL	NOTES
M	POTABLE WATER IRRIGATION METER - INSTALL PER EMWD STANDARDS	2"	N/A	-
C	WEATHERTRAK WTPRO3-C-H2096-SWM 2-WIRE CONTROLLER BY HYDROPOINT EQUIPPED WITH OPTIFLOW AND PUMP START RELAY	96 STA.	'A', LI-6 'A', LI-9	(1,8)
P	GALE FORCE SERIES P20-GFS-1V-5-100-40-20(3)-B(1)CD(2)F BOOSTER PUMP BY INCONTROL WATER SYSTEMS BID 2020-122. CONNECT TO CONTROLLER	5 HP	'I', LI-10	(1)
⊗	FEBCO 825V REDUCED PRESSURE BACKFLOW PREVENTER LOCATED IN A STRONG BOX 588C-455S VANDAL RESISTANT ENCLOSURE	2"	'B', LI-9	(3)
⊕	WEATHERTRAK MASTER VALVE DECODER	3"	'C', LI-9	-
⊖	WEATHERTRAK WFLOWHD-P-300 FLOW SENSOR IN WFLOWHD-P-INS EQUIPPED WITH FLOW SENSOR DECODER	3"	'K', LI-9	-
⊗	NIBCO P-619 RESILIENT WEDGE GATE VALVE	3"	'D', LI-9	-
●	NELSON 7645 QUICK COUPLING VALVE	1"	'E', LI-9	-
⊗	RAINBIRD EPB-CP-PRS-D REMOTE CONTROL VALVE WITH WEATHERTRAK SINGLE VALVE DECODER	PLAN SIZE	'F', LI-9	(4)
⊗	RAINBIRD X02-PRB-COM DRIP CONTROL ZONE ASSEMBLY WITH WEATHERTRAK SINGLE VALVE DECODER	PLAN SIZE	'G', LI-9	(4)
---	CLASS 315 PVC IRRIGATION MAINLINE - 18" MIN. COVER	3"	'H', LI-9 'G', LI-10	-
---	SCH. 40 PVC NON-PRESSURE LATERAL LINE - 12" MIN. COVER	PLAN SIZE	'H', LI-9	-
---	SCH 40 PVC IRRIGATION PIPE / WIRE SLEEVE - 24" MIN. COVER	SEE CHART	'I', LI-9	-
---	REGENCY WIRE 12/2 MAXI CABLE COMMUNICATIONS CABLE	N/A	'J', LI-9	-
Ⓢ	TWO WIRE PATH SPLICE WITH PAIGE CABLE DCSD	1"	'D', LI-6	-
▼	SALCO SLV-AFV-075 AUTOMATIC FLUSH VALVE	PLAN SIZE	'L', LI-9	-
---	SCH. 40 PVC POINT TO POINT DRIP DISTRIBUTION PIPE - 6" MIN. COVER	3/4"	'H', LI-9 'A' & 'H', LI-10	(2)

- (1) LANDSCAPE CONTRACTOR TO COORDINATE ELECTRICAL POWER W/ ELECTRICAL CONTRACTOR
- (5) EACH SHRUB TO RECEIVE ONE GPST2 EMITTER UNLESS OTHERWISE NOTED BELOW. LOCATE EMITTER ON UPHILL SIDE OF ROOTBALL, 6" CLEAR OF PLANT BASE
- (6) DRIP DISTRIBUTION LAYOUT IS DIAGRAMMATIC ONLY. CONTRACTOR TO ADJUST LAYOUT TO SUPPLY DRIP EMITTERS TO ALL INDICATED PLANT MATERIAL
- (7) TWO VALVE DECODERS TO BE USED AT VALVE GROUPINGS WHEREVER POSSIBLE
- (8) INSTALL SURGE ARRESTORS AT 60' O.C. ALONG 2-WIRE PATH PER MFG'S SPECS. GROUND PER MFG'S SPECS

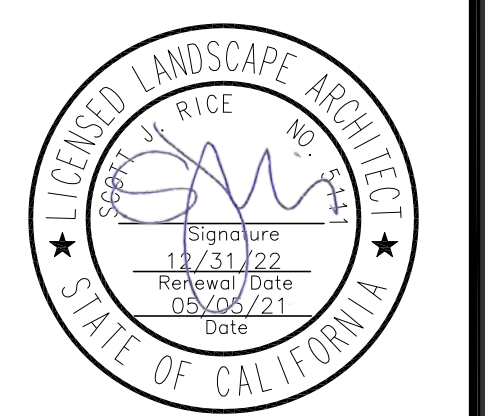


LANDSCAPE ARCHITECTURE
 4649 Brockton Ave.
 Riverside, CA 92506
 Phone: (951) 369-0700
 Fax: (951) 369-4039
 www.cwdg.fun

ENCHANTED HILLS PARK
 1400 WESTON ROAD
 PERRIS, CA 92570

JOB NUMBER: 190633
 DRAWN BY: KCK
 CHECKED BY: DB
 DATE: 05/05/21

REVISIONS:
 1 5-5-21 BID ADDENDUM #1



IRRIGATION SITE PLAN

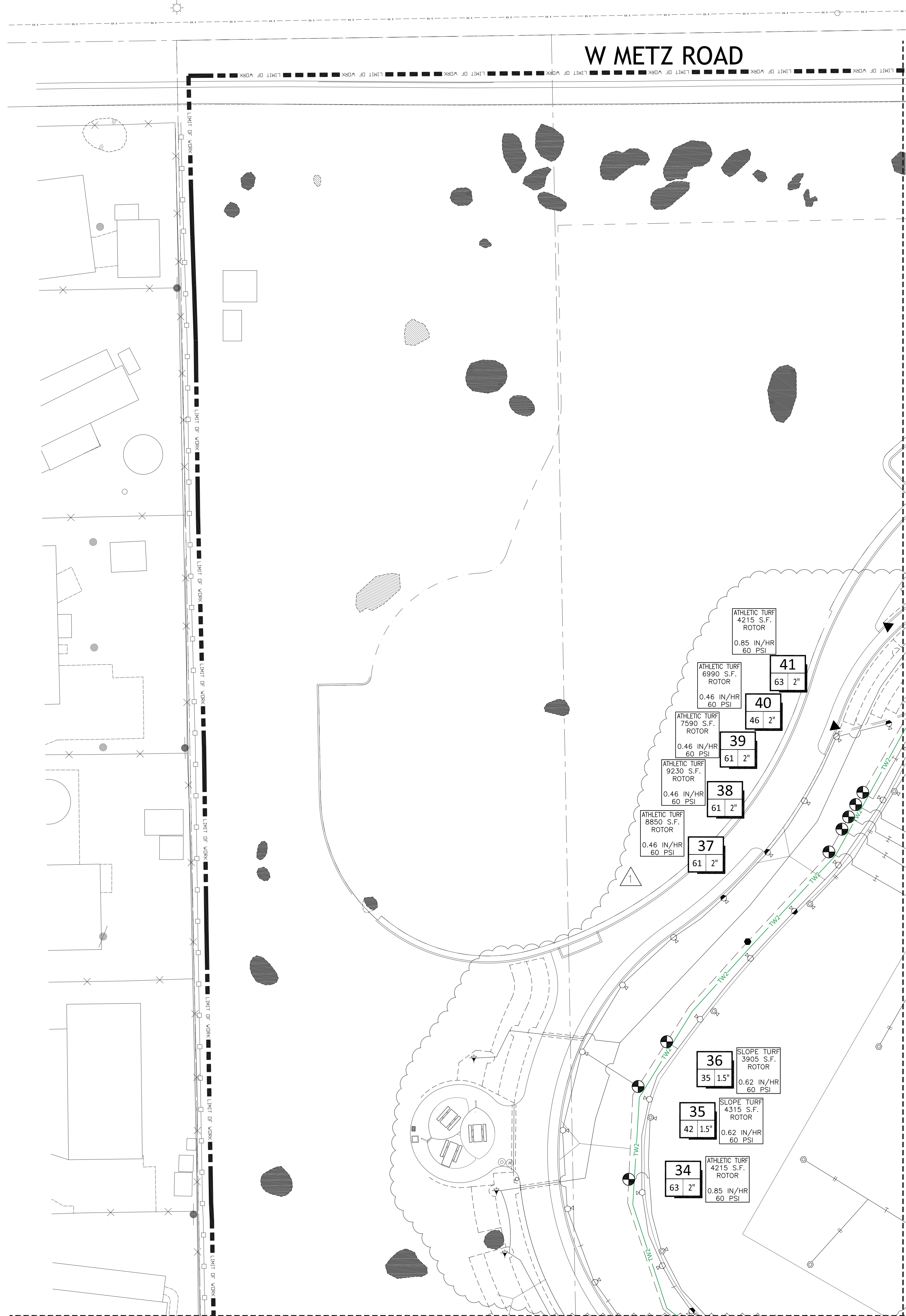
SCALE: 1"=60'



LI-0

SHEET 44 OF 88

May 05, 2021 - 4:50pm Allison Rush
 F:\Enchanted Hills Park - Perris\CD's\irrigation- Base Bid.dwg



MATCHLINE, SEE SHEET LI-4

MATCHLINE, SEE SHEET LI-2

EQUIPMENT LEGEND

SYMBOL	MANUFACTURER/MODEL #	SIZE	DETAIL	NOTES
M	POTABLE WATER IRRIGATION METER - INSTALL PER EMWD STANDARDS	2"	N/A	-
C	WEATHERTRAK WTPRO3-C-H2096-SWM 2-WIRE CONTROLLER BY HYDROPOINT EQUIPPED WITH OPTIFLOW AND PUMP START RELAY	96 STA.	'A', LI-6 'A', LI-9	(1,8)
P	GALE FORCE SERIES P20-GFS-1V-5-100-40-20(3)-8(1)CD(2)F BOOSTER PUMP BY INCONTROL WATER SYSTEMS BID 2020-122 CONNECT TO CONTROLLER	5 HP	'I', LI-10	(1)
⊗	FEBCO 825Y REDUCED PRESSURE BACKFLOW PREVENTER LOCATED IN A STRONG BOX SBBC-455S VANDAL RESISTANT ENCLOSURE	2"	'B', LI-9	(3)
⊕	SUPERIOR 3100PRS PRESSURE REGULATING MASTER VALVE WITH WEATHERTRAK MASTER VALVE DECODER	3"	'C', LI-9	-
⊖	WEATHERTRAK WFLOWHD-P-300 FLOW SENSOR IN WFLOWHD-P-INS EQUIPPED WITH FLOW SENSOR DECODER	3"	'K', LI-9	-
⊗	NIBCO P-619 RESILIENT WEDGE GATE VALVE	3"	'D', LI-9	-
●	NELSON 7645 QUICK COUPLING VALVE	1"	'E', LI-9	-
⊕	RAINBIRD EFB-CP-PRS-D REMOTE CONTROL VALVE WITH WEATHERTRAK SINGLE VALVE DECODER	PLAN SIZE	'F', LI-9	(4)
⊖	RAINBIRD XGZ-PRB-COM DRIP CONTROL ZONE ASSEMBLY WITH WEATHERTRAK SINGLE VALVE DECODER	PLAN SIZE	'G', LI-9	(4)
---	CLASS 315 PVC IRRIGATION MAINLINE - 18" MIN. COVER	3"	'H', LI-9	-
---	SCH. 40 PVC NON-PRESSURE LATERAL LINE - 12" MIN. COVER	PLAN SIZE	'H', LI-9	-
---	SCH 40 PVC IRRIGATION PIPE / WIRE SLEEVE - 24" MIN. COVER	SEE CHART	'I', LI-9	-
---	REGENCY WIRE 12/2 MAXI CABLE COMMUNICATIONS CABLE	N/A	'J', LI-9	-
⊕	TWO WIRE PATH SPLICE WITH PAIGE CABLE DCSD	1"	'D', LI-6	-
▼	SALCO SLV-AFV-075 AUTOMATIC FLUSH VALVE	PLAN SIZE	'L', LI-9	-
---	SCH. 40 PVC POINT TO POINT DRIP DISTRIBUTION PIPE - 6" MIN. COVER	3/4"	'H', LI-9 'A&H', LI-10	(2)

(1) LANDSCAPE CONTRACTOR TO COORDINATE ELECTRICAL POWER W/ ELECTRICAL CONTRACTOR
 (5) EACH SHRUB TO RECEIVE ONE GPST2 EMITTER UNLESS OTHERWISE NOTED BELOW. LOCATE EMITTER ON UPHILL SIDE OF ROOTBALL, 6" CLEAR OF PLANT BASE
 (6) DRIP DISTRIBUTION LAYOUT IS DIAGRAMMATIC ONLY. CONTRACTOR TO ADJUST LAYOUT TO SUPPLY DRIP EMITTERS TO ALL INDICATED PLANT MATERIAL
 (7) TWO VALVE DECODES TO BE USED AT VALVE GROUPINGS WHEREVER POSSIBLE
 (8) INSTALL SURGE ARRESTORS AT 600' O.C. ALONG 2-WIRE PATH PER MFG'S SPECS. GROUND PER MFG'S SPECS.

SPRINKLER LEGEND

SYMBOL	MANUFACTURER/MODEL #	NOZZLE	RAD.	PSI	FLOW (GPM)							PRECIP RATE	DETAIL	NOTES
					Q	T	H	TT	TO	F	Von			
SHRUB HI-POP SPRAY HEADS														
⊕	RAINBIRD 1806-SAM-P45-RVAN14	Q/H/TT/F	14"	45	0.32	0.63	0.73	1.27	0.61	'C', LI-10				
⊕	RAINBIRD 1806-SAM-P45-RVAN18	Q/H/TT/F	17"	45	0.50	1.01	1.17	1.85	0.61	'C', LI-10				
⊕	RAINBIRD 1806-SAM-P45-RVAN24	Q/H/TT/F	23"	45	0.84	1.68	1.96	3.48	0.61	'C', LI-10				
TURF POP-UP ROTOR HEADS														
⊕	HUNTER I-20-06-PRB-MPR-25	90°/120°/180°/360°	25'	45	1.98			3.82	0.62	'D', LI-10				
⊕	HUNTER I-20-06-PRB-MPR-30	90°/120°/180°/360°	30'	45	1.40	2.96		5.78	0.62	'D', LI-10				
⊕	HUNTER I-20-06-PRB-MPR-35	90°/120°/180°/360°	35'	45		3.81			0.62	'D', LI-10				
⊕	HUNTER I-40-06	8/15	46'-55'	60	9.20	15.7			0.85	'D', LI-10				
⊕	HUNTER I-40-06-ON-15	18	59'	60				15.2	0.46	'D', LI-10				
SHRUB HI-POP ROTOR HEADS														
⊕	HUNTER I-20-12-PRB-MPR-25	90°/120°/180°/360°	25'	45	1.00	1.38	1.98	3.82	0.62	'E', LI-10				
⊕	HUNTER I-20-12-PRB-MPR-30	90°/120°/180°/360°	30'	45	1.40	1.85	2.96	5.78	0.62	'E', LI-10				
⊕	HUNTER I-20-12-PRB-MPR-35	90°/120°/180°/360°	35'	45	2.46	3.81		7.58	0.62	'E', LI-10				
TREE BUBBLERS														
⊕	RAINBIRD RWS-B-C-1401	F	30					0.25	3.00	'F', LI-10	(1)			
⊕	RAINBIRD RWS-B-C-1402	F	30					0.50	6.00	'F', LI-10	(2)			
⊕	GPH GPST2 DRIP EMITTER	F	30					0.10	0.48	'A', LI-10	(3)			
SHRUB DRIP EMITTERS														
NOT SHOWN	GPH GPST2 DRIP EMITTER	F	30					2.00	0.36	'A', LI-10	(4,5)			

(1) EACH TREE TO RECEIVE (2) BUBBLERS FOR A TOTAL OF 0.50 GPM PER SYMBOL
 (2) EACH TREE TO RECEIVE (2) BUBBLERS FOR A TOTAL OF 1.00 GPM PER SYMBOL
 (3) EACH OAK TREE TO RECEIVE (3) DRIP EMITTERS FOR A TOTAL OF 6 GPH PER SYMBOL. EMITTERS TO BE SPACE EVENLY AROUND TRUCK AT PERIMETER OF ROOT BALL
 (4) FLOW IS IN GALLONS PER HOUR
 (5) EACH SHRUB TO RECEIVE ONE GPST2 EMITTER UNLESS OTHERWISE NOTED BELOW. LOCATE EMITTER ON UPHILL SIDE OF ROOTBALL, 6" CLEAR OF PLANT BASE

DRIP EMITTER ASSIGNMENTS:

PLANTS TO RECEIVE GPST1 EMITTER - ARTEMISIA CALIFORNICA, ATRIPLEX CANASCENS, ENCELIA FARINOSA, ERIOGONUM GIGANTEUM, FALLUGIA PARADOXA, HESPERUYCCA WHIPPLEI, OPUNTIA BASILARIS
 PLANTS TO RECEIVE GPST4 EMITTER - CAREX PRAEGRACILIS, CERCIS OCCIDENTALIS, JUNCUS EFFUSUS, JUNCUS PATENS, LEYMUS CONDENSATUS, MUHLBERGIA RIGENS, ROSA CALIFORNICA, SAMBUCUS NIGRA

PIPE SIZING CHART

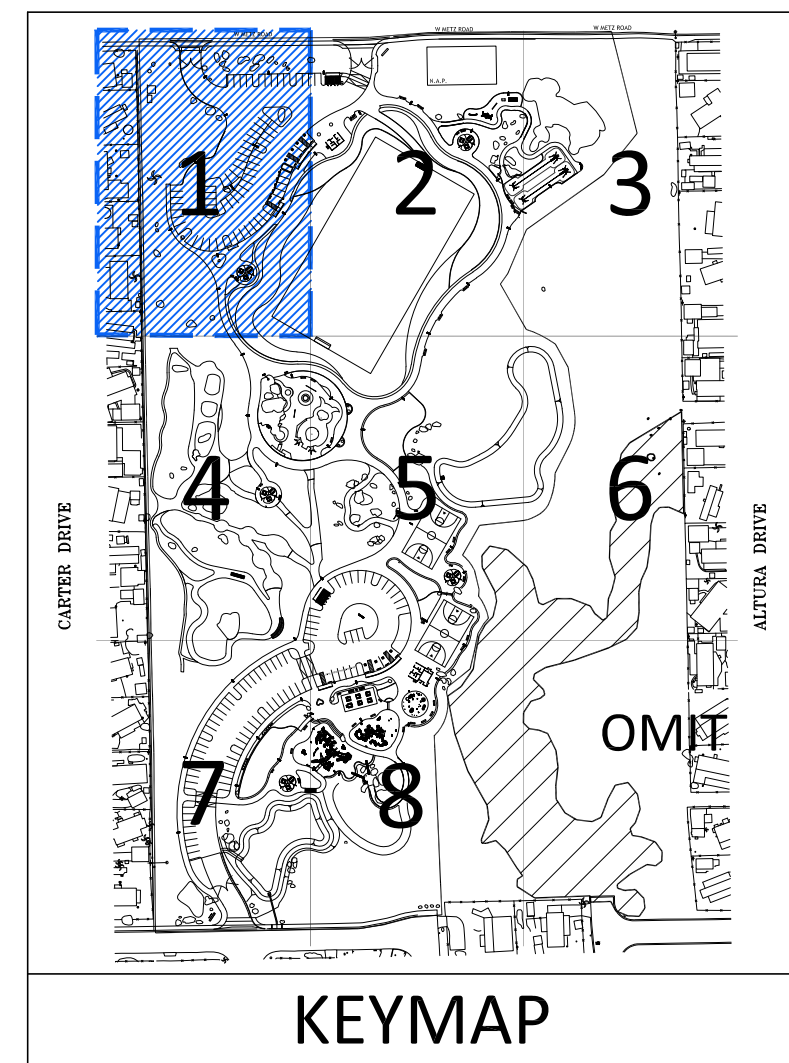
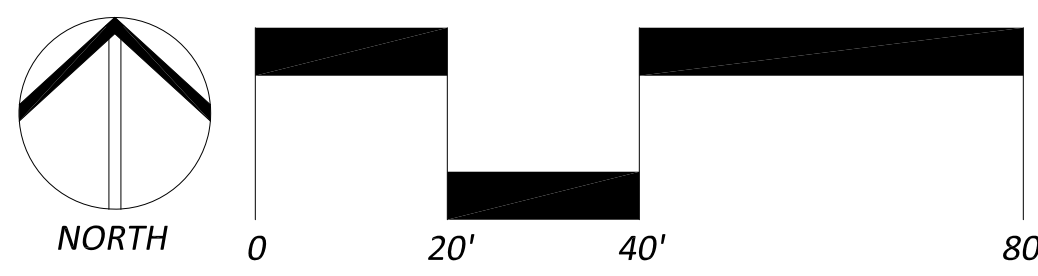
---	3/4" PIPE
---	1" PIPE
---	1 1/4" PIPE
---	1 1/2" PIPE
---	2" PIPE
---	2 1/2" PIPE
---	3" PIPE
---	4" PIPE
---	6" PIPE
---	8" PIPE

STATION # / CONTROLLER	VALVE SIZE
FLOW (GPM)	

HYDROZONE AREA
 IRRIGATION TYPE
 PRECIP RATE
 PRESSURE

SCH 40 PVC SLEEVING CHART

1 1/4" SLEEVE	1-4 WIRES	1/2" PIPE
1 1/2" SLEEVE	5-10 WIRES	3/4" PIPE
2" SLEEVE	11-20 WIRES	1" PIPE
2 1/2" SLEEVE	21-30 WIRES	1 1/4" PIPE
3" SLEEVE	31-40 WIRES	1 1/2" PIPE
4" SLEEVE	41-60 WIRES	2" PIPE
6" SLEEVE	61-99 WIRES	2 1/2"-3" PIPE
8" SLEEVE	100+ WIRES	4" PIPE
10" SLEEVE	N/A	6" PIPE

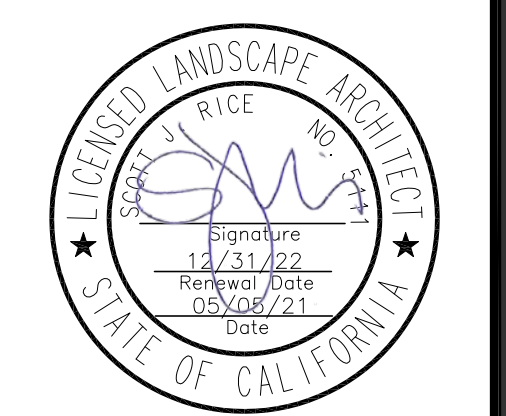


COMMUNITY WALKS DESIGN GROUP
 LANDSCAPE ARCHITECTURE
 4649 Brockton Ave.
 Riverside, CA 92506
 Phone: (951) 369-0700
 Fax: (951) 369-4039
 www.cwdg.fun

ENCHANTED HILLS PARK
 1400 WESTON ROAD
 PERRIS, CA 92570

JOB NUMBER: 190633
 DRAWN BY: KCK
 CHECKED BY: DB
 DATE: 05/05/21

REVISIONS:
 1 5-5-21 BID ADDENDUM #1



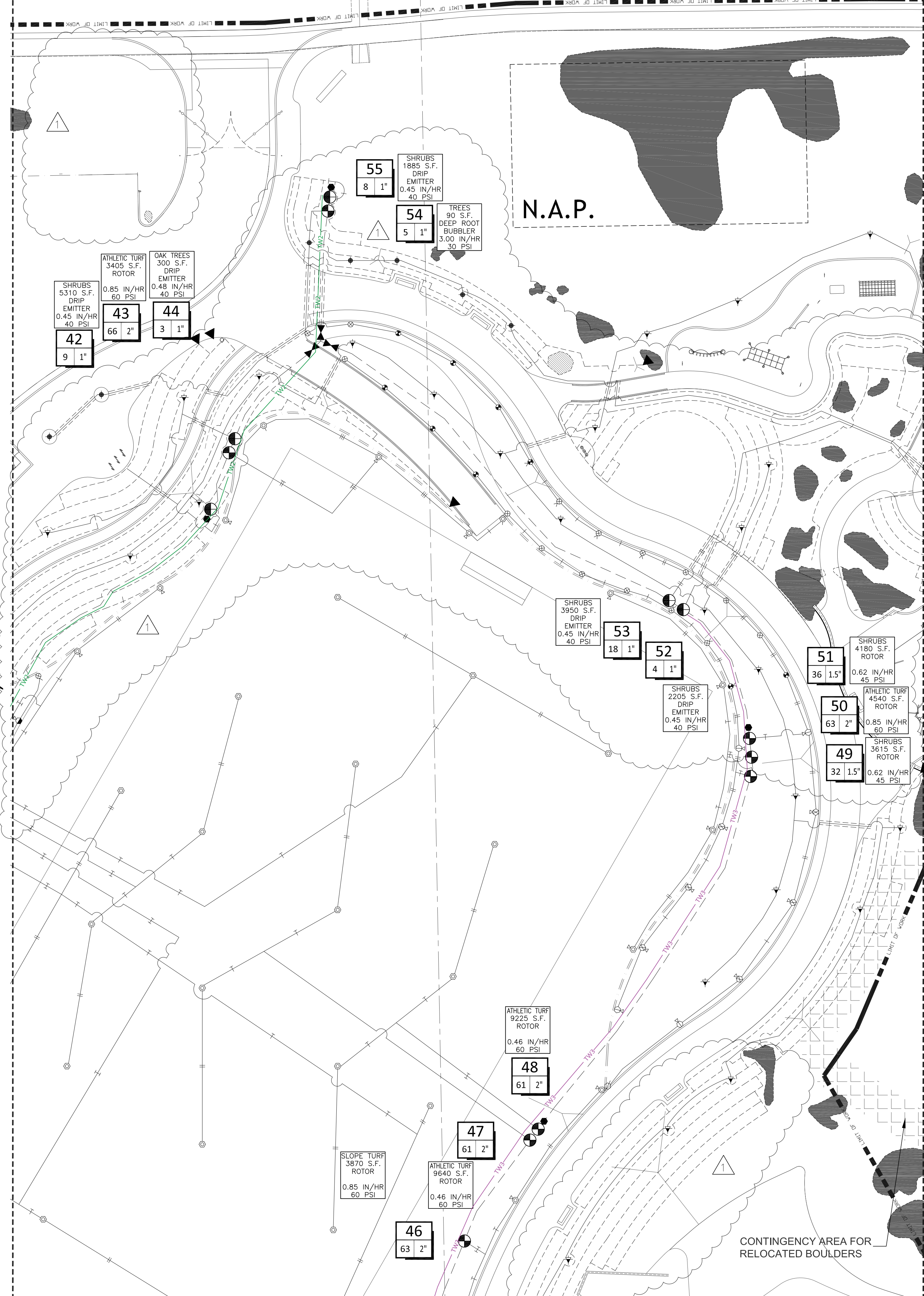
IRRIGATION PLAN

SCALE: 1"=20'

811
 Know what's below.
 Call before you dig.

LI-1
 SHEET 45 OF 88

W METZ ROAD



MATCHLINE, SEE SHEET LI-1

MATCHLINE, SEE SHEET LI-3

MATCHLINE, SEE SHEET LI-5

PRESSURE LOSS CALCULATIONS
 STATION: 38 FLOW: 66 GPM

LOSS THRU 2" BACKFLOW	3.70 PSI
LOSS THRU 2" MASTER VALVE	11.50 PSI
LOSS THRU 2" FLOW METER	0.50 PSI
LOSS THRU 1505' OF 3" MAIN	7.53 PSI
LOSS THRU 1 GATE VALVE	1.00 PSI
LOSS THRU 2" RCV VALVE	2.40 PSI
LOSS THRU LATERAL LINES	2.52 PSI
ELEVATION GAIN / LOSS	-8.23 PSI
MISC. LOSS THRU FITTINGS (10%)	3.50 PSI
TOTAL SYSTEM LOSSES	41.88 PSI
PRESSURE REQUIRED AT HEAD	60.00 PSI
AVAILABLE STATIC PRESSURE	63.00 PSI
PUMP BOOST	40.00 PSI
RESIDUAL PRESSURE	1.12 PSI

P.O.C. INFORMATION

METER SIZE	2"
WATER TYPE	POTABLE
STATIC PRESSURE	63 PSI
PEAK DEMAND	100 GPM
SOURCE AT EMWD	ZONE MAP
DATE INFO OBTAINED	9/4/2020

EQUIPMENT LEGEND

SYMBOL	MANUFACTURER/MODEL #	SIZE	DETAIL	NOTES
M	POTABLE WATER IRRIGATION METER - INSTALL PER EMWD STANDARDS	2"	N/A	-
C	WEATHERTRAK WTPRO3-C-H2096-SWM 2-WIRE CONTROLLER BY HYDROPOINT EQUIPPED WITH OPTIFLOW AND PUMP START RELAY	96 STA.	'A', LI-6 'A', LI-9	(1,8)
P	GALE FORCE SERIES P20-GFS-1V-5-100-40-20(3)-B(1)CD(2)F BOOSTER PUMP BY INCONTROL WATER SYSTEMS BID 2020-122. CONNECT TO CONTROLLER	5 HP	'I', LI-10	(1)
⊗	FESCO 825Y REDUCED PRESSURE BACKFLOW PREVENTER LOCATED IN A STRONG BOX SB9C-455S VANDAL RESISTANT ENCLOSURE	2"	'B', LI-9	(3)
⊕	SUPERIOR 3100PRS PRESSURE REGULATING MASTER VALVE WITH WEATHERTRAK MASTER VALVE DECODER	3"	'C', LI-9	-
⊖	WEATHERTRAK WFLOWHD-P-300 FLOW SENSOR IN WFLOWHD-P-INS EQUIPPED WITH FLOW SENSOR DECODER	3"	'K', LI-9	-
⊗	NIBCO P-619 RESILIENT WEDGE GATE VALVE	3"	'D', LI-9	-
●	NELSON 7645 QUICK COUPLING VALVE	1"	'E', LI-9	-
⊕	RAINBIRD EFB-CP-PRS-D REMOTE CONTROL VALVE WITH WEATHERTRAK SINGLE VALVE DECODER	PLAN SIZE	'F', LI-9	(4)
⊖	RAINBIRD X07-PRB-COM DRIP CONTROL ZONE ASSEMBLY WITH WEATHERTRAK SINGLE VALVE DECODER	PLAN SIZE	'G', LI-9	(4)
---	CLASS 315 PVC IRRIGATION MAINLINE - 18" MIN. COVER	3"	'H', LI-9 'G', LI-10	-
---	SCH. 40 PVC NON-PRESSURE LATERAL LINE - 12" MIN. COVER	PLAN SIZE	'H', LI-9	-
---	SCH 40 PVC IRRIGATION PIPE / WIRE SLEEVE - 24" MIN. COVER	SEE CHART	'I', LI-9	-
---	REGENCY WIRE 12/2 MAXI CABLE COMMUNICATIONS CABLE	N/A	'J', LI-9	-
⊕	TWO WIRE PATH SPLICE WITH PAIGE CABLE DCSD	1"	'D', LI-6	-
▼	SALCO SLV-AFV-075 AUTOMATIC FLUSH VALVE	PLAN SIZE	'L', LI-9	-
---	SCH. 40 PVC POINT TO POINT DRIP DISTRIBUTION PIPE - 6" MIN. COVER	3/4"	'H', LI-9 'A&'H', LI-10	(2)

(1) LANDSCAPE CONTRACTOR TO COORDINATE ELECTRICAL POWER W/ ELECTRICAL CONTRACTOR
 (5) EACH SHRUB TO RECEIVE ONE GPST2 EMITTER UNLESS OTHERWISE NOTED BELOW. LOCATE EMITTER ON UPHILL SIDE OF ROOTBALL, 6" CLEAR OF PLANT BASE
 (6) DRIP DISTRIBUTION LAYOUT IS DIAGRAMMATIC ONLY. CONTRACTOR TO ADJUST LAYOUT TO SUPPLY DRIP EMITTERS TO ALL INDICATED PLANT MATERIAL
 (7) TWO VALVE DECODERS TO BE USED AT VALVE GROUPINGS WHEREVER POSSIBLE
 (8) INSTALL SURGE ARRESTORS AT 600' O.C. ALONG 2-WIRE PATH PER MFG'S SPECS. GROUND PER MFG'S SPECS

SPRINKLER LEGEND

SYMBOL	MANUFACTURER/MODEL #	NOZZLE	RAD.	PSI	FLOW (GPM)							PRECIP RATE	DETAIL	NOTES
					Q	T	H	TT	TQ	F	V _{an}			
SHRUB HI-POP SPRAY HEADS														
⊕	RAINBIRD 1806-SAM-P45-RVAN14	Q/H/TT/F	14'	45	0.32	0.63	0.73	1.27	0.61	'C', LI-10				
⊕	RAINBIRD 1806-SAM-P45-RVAN18	Q/H/TT/F	17'	45	0.50	1.01	1.17	1.85	0.61	'C', LI-10				
⊕	RAINBIRD 1806-SAM-P45-RVAN24	Q/H/TT/F	23'	45	0.84	1.68	1.96	3.48	0.61	'C', LI-10				
TURF POP-UP ROTOR HEADS														
⊕	HUNTER I-20-06-PRB-MPR-25	90°/120°/180°/360°	25'	45				1.98		3.82	0.62	'D', LI-10		
⊕	HUNTER I-20-06-PRB-MPR-30	90°/120°/180°/360°	30'	45	1.40			2.96		5.78	0.62	'D', LI-10		
⊕	HUNTER I-20-06-PRB-MPR-35	90°/120°/180°/360°	35'	45				3.81			0.62	'D', LI-10		
⊕	HUNTER I-40-06	8/15	46'-55'	60	9.20			15.7			0.85	'D', LI-10		
⊕	HUNTER I-40-06-ON-15	18	59'	60						15.2	0.46	'D', LI-10		
SHRUB HI-POP ROTOR HEADS														
⊕	HUNTER I-20-12-PRB-MPR-25	90°/120°/180°/360°	25'	45	1.00	1.38	1.98		3.82	0.62	'E', LI-10			
⊕	HUNTER I-20-12-PRB-MPR-30	90°/120°/180°/360°	30'	45	1.40	1.85	2.96		5.78	0.62	'E', LI-10			
⊕	HUNTER I-20-12-PRB-MPR-35	90°/120°/180°/360°	35'	45	2.46	3.81			7.58	0.62	'E', LI-10			
TREE BUBBLERS														
⊕	RAINBIRD RWS-B-C-1401	F		30					0.25	3.00	'F', LI-10	(1)		
⊕	RAINBIRD RWS-B-C-1402	F		30					0.50	6.00	'F', LI-10	(2)		
⊕	GPH GPST2 DRIP EMITTER	F		30					0.10	0.48	'A', LI-10	(3)		
SHRUB DRIP EMITTERS														
NOT SHOWN	GPH GPST2 DRIP EMITTER	F		30					2.00	0.36	'A', LI-10	(4,5)		

(1) EACH TREE TO RECEIVE (2) BUBBLERS FOR A TOTAL OF 0.50 GPM PER SYMBOL
 (2) EACH TREE TO RECEIVE (2) BUBBLERS FOR A TOTAL OF 1.00 GPM PER SYMBOL
 (3) EACH OAK TREE TO RECEIVE (3) DRIP EMITTERS FOR A TOTAL OF 6 GPH PER SYMBOL. EMITTERS TO BE SPACE EVENLY AROUND TRUCK AT PERIMETER OF ROOT BALL
 (4) FLOW IS IN GALLONS PER HOUR
 (5) EACH SHRUB TO RECEIVE ONE GPST2 EMITTER UNLESS OTHERWISE NOTED BELOW. LOCATE EMITTER ON UPHILL SIDE OF ROOTBALL, 6" CLEAR OF PLANT BASE

DRIP EMITTER ASSIGNMENTS:
 PLANTS TO RECEIVE GPST1 EMITTER - ARTEMISIA CALIFORNICA, ATRIPLEX CANASCENS, ENCELIA FARINOSA, ERIOGONUM GIGANTEUM, FALLUGIA PARADOXA, HESPERUYCCA WHIPPLEI, OPUNTIA BASILARIS
 PLANTS TO RECEIVE GPST4 EMITTER - CAREX PRAEGRACILIS, CERCIS OCCIDENTALIS, JUNCUS EFFUSUS, JUNCUS PATENS, LEYMUS CONDENSATUS, MUHLENBERGIA RIGENS, ROSA CALIFORNICA, SAMBUCUS NIGRA

PIPE SIZING CHART

---	3/4" PIPE
---	1" PIPE
---	1 1/4" PIPE
---	1 1/2" PIPE
---	2" PIPE
---	2 1/2" PIPE
---	3" PIPE
---	4" PIPE
---	6" PIPE
---	8" PIPE

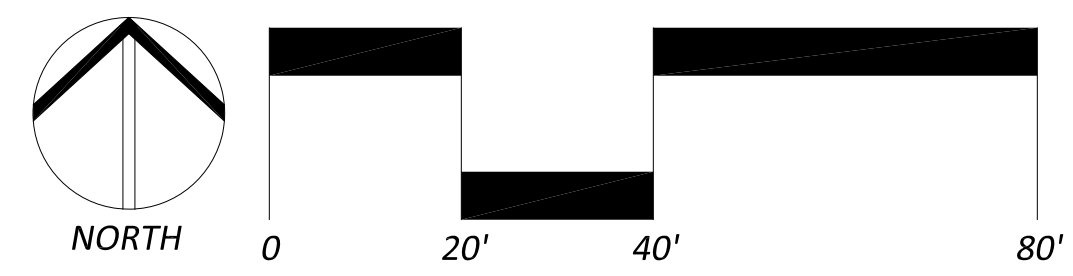
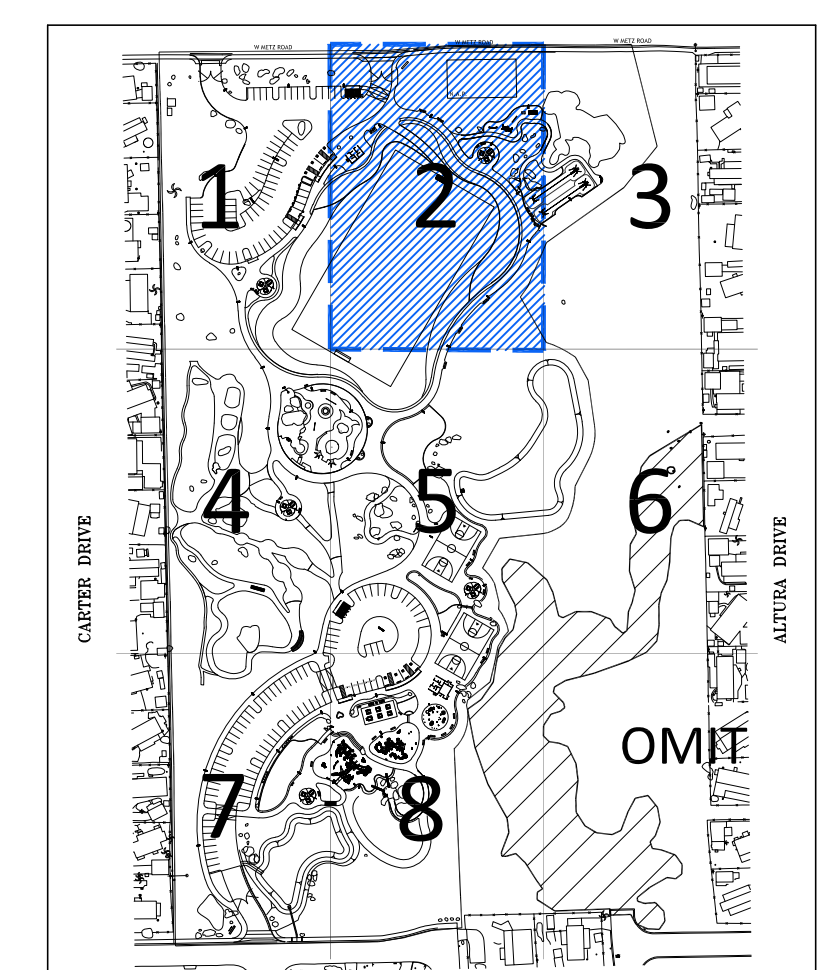
STATION # / CONTROLLER

FLOW (GPM)	VALVE SIZE
------------	------------

HYDROZONE AREA
 IRRIGATION TYPE
 PRECIP RATE
 PRESSURE

SCH 40 PVC SLEEVING CHART

1 1/4" SLEEVE	1-4 WIRES	1/2" PIPE
1 1/2" SLEEVE	5-10 WIRES	3/4" PIPE
2" SLEEVE	11-20 WIRES	1" PIPE
2 1/2" SLEEVE	21-30 WIRES	1 1/4" PIPE
3" SLEEVE	31-40 WIRES	1 1/2" PIPE
4" SLEEVE	41-60 WIRES	2" PIPE
6" SLEEVE	61-99 WIRES	2 1/2"-3" PIPE
8" SLEEVE	100+ WIRES	4" PIPE
10" SLEEVE	N/A	6" PIPE



LANDSCAPE ARCHITECTURE
 4649 Brockton Ave.
 Riverside, CA 92506
 Phone: (951) 369-0700
 Fax: (951) 369-4039
 www.cwdg.fun

ENCHANTED HILLS PARK
 1400 WESTON ROAD
 PERRIS, CA 92570

JOB NUMBER: 190633
 DRAWN BY: KCK
 CHECKED BY: DB
 DATE: 05/05/21

REVISIONS:
 1 5-5-21 BID ADDENDUM #1



IRRIGATION PLAN

SCALE: 1"=20'



LI-2

May 05, 2021 - 4:51pm Allison Rush
 F:\Enchanted Hills Park - Perris\CD's\irrigation- Base Bid.dwg



EQUIPMENT LEGEND

SYMBOL	MANUFACTURER/MODEL #	SIZE	DETAIL	NOTES
M	POTABLE WATER IRRIGATION METER - INSTALL PER EMWD STANDARDS	2"	N/A	-
C	WEATHERTRAK WTRP03-C-H2096-SWM 2-WIRE CONTROLLER BY HYDROPOINT EQUIPPED WITH OPTIFLOW AND PUMP START RELAY	96 STA.	'A', LI-6 'A', LI-9	(1,8)
P	GALE FORCE SERIES P30-QFS-1V-5-100-40-20(3)-B(1)CD(2)F BOOSTER PUMP BY INCONTROL WATER SYSTEMS BID 2020-122 CONNECT TO CONTROLLER	5 HP	'I', LI-10	(1)
⊗	FEBCO 825V REDUCED PRESSURE BACKFLOW PREVENTER LOCATED IN A STRONG BOX SBBC-45SS VANDAL RESISTANT ENCLOSURE	2"	'B', LI-9	(3)
⊕	SUPERIOR 3100PRS PRESSURE REGULATING MASTER VALVE WITH WEATHERTRAK MASTER VALVE DECODER	3"	'C', LI-9	-
⊖	WEATHERTRAK WFLOWHD-P-300 FLOW SENSOR IN WFLOWHD-P-INS EQUIPPED WITH FLOW SENSOR DECODER	3"	'K', LI-9	-
⊗	NIBCO P-619 RESILIENT WEDGE GATE VALVE	3"	'D', LI-9	-
●	NELSON 7645 QUICK COUPLING VALVE	1"	'E', LI-9	-
⊕	RAINBIRD EFB-CP-PRS-D REMOTE CONTROL VALVE WITH WEATHERTRAK SINGLE VALVE DECODER	PLAN SIZE	'F', LI-9	(4)
⊖	RAINBIRD XGZ-PRB-COM DRIP CONTROL ZONE ASSEMBLY WITH WEATHERTRAK SINGLE VALVE DECODER	PLAN SIZE	'G', LI-9	(4)
---	CLASS 315 PVC IRRIGATION MAINLINE - 18" MIN. COVER	3"	'H', LI-9 'G', LI-10	-
---	SCH. 40 PVC NON-PRESSURE LATERAL LINE - 12" MIN. COVER	PLAN SIZE	'H', LI-9	-
---	SCH 40 PVC IRRIGATION PIPE / WIRE SLEEVE - 24" MIN. COVER	SEE CHART	'I', LI-9	-
TW1 TW2 TW3	REGENCY WIRE 12/2 MAXI CABLE COMMUNICATIONS CABLE	N/A	'J', LI-9	-
S	TWO WIRE PATH SPLICE WITH PAIGE CABLE DCSD	1"	'D', LI-6	-
▽	SALCO SLY-AFV-075 AUTOMATIC FLUSH VALVE	PLAN SIZE	'L', LI-9	-
---	SCH. 40 PVC POINT TO POINT DRIP DISTRIBUTION PIPE - 6" MIN. COVER	3/4"	'H', LI-9 'A&H', LI-10	(2)

(1) LANDSCAPE CONTRACTOR TO COORDINATE ELECTRICAL POWER W/ ELECTRICAL CONTRACTOR
 (5) EACH SHRUB TO RECEIVE ONE GPST2 EMITTER UNLESS OTHERWISE NOTED BELOW. LOCATE EMITTER ON UPHILL SIDE OF ROOTBALL, 6" CLEAR OF PLANT BASE
 (6) DRIP DISTRIBUTION LAYOUT IS DIAGRAMMATIC ONLY. CONTRACTOR TO ADJUST LAYOUT TO SUPPLY DRIP EMITTERS TO ALL INDICATED PLANT MATERIAL
 (7) TWO VALVE DECODERS TO BE USED AT VALVE GROUPINGS WHEREVER POSSIBLE
 (8) INSTALL SURGE ARRESTORS AT 600' O.C. ALONG 2-WIRE PATH PER MFG'S SPECS. GROUND PER MFG'S SPECS

SPRINKLER LEGEND

SYMBOL	MANUFACTURER/MODEL #	NOZZLE	RAD.	PSI	FLOW (GPM)							PRECIP RATE	DETAIL	NOTES
					Q	T	H	TT	TQ	F	Van			
SHRUB HI-POP SPRAY HEADS														
⊕	RAINBIRD 1806-SAM-P45-RVAN14	Q/H/TT/F	14'	45	0.32	0.63	0.73	1.27	0.61	'C', LI-10				
⊕	RAINBIRD 1806-SAM-P45-RVAN18	Q/H/TT/F	17'	45	0.50	1.01	1.17	1.85	0.61	'C', LI-10				
⊕	RAINBIRD 1806-SAM-P45-RVAN24	Q/H/TT/F	23'	45	0.84	1.68	1.96	3.48	0.61	'C', LI-10				
TURF POP-UP ROTOR HEADS														
⊕	HUNTER 1-20-06-PRB-MPR-25	90°/120°/180°/360°	25'	45		1.98		3.82	0.62	'D', LI-10				
⊕	HUNTER 1-20-06-PRB-MPR-30	90°/120°/180°/360°	30'	45	1.40	2.96		5.78	0.62	'D', LI-10				
⊕	HUNTER 1-20-06-PRB-MPR-35	90°/120°/180°/360°	35'	45		3.81			0.62	'D', LI-10				
⊕	HUNTER 1-40-06	8/15	46"-55"	60	9.20	15.7			0.85	'D', LI-10				
⊕	HUNTER 1-40-06-ON-15	18	59"	60				15.2	0.46	'D', LI-10				
SHRUB HI-POP ROTOR HEADS														
⊕	HUNTER 1-20-12-PRB-MPR-25	90°/120°/180°/360°	25'	45	1.00	1.38	1.98		3.82	0.62	'E', LI-10			
⊕	HUNTER 1-20-12-PRB-MPR-30	90°/120°/180°/360°	30'	45	1.40	1.85	2.96		5.78	0.62	'E', LI-10			
⊕	HUNTER 1-20-12-PRB-MPR-35	90°/120°/180°/360°	35'	45	2.46	3.81		7.58	0.62	'E', LI-10				
TREE BUBBLERS														
⊕	RAINBIRD RWS-B-C-1401	F		30				0.25	3.00	'F', LI-10	(1)			
⊕	RAINBIRD RWS-B-C-1402	F		30				0.50	6.00	'F', LI-10	(2)			
⊕	GPH GPST2 DRIP EMITTER	F		30				0.10	0.48	'A', LI-10	(3)			
SHRUB DRIP EMITTERS														
NOT SHOWN	GPH GPST2 DRIP EMITTER	F		30				2.00	0.36	'A', LI-10	(4,5)			

(1) EACH TREE TO RECEIVE (2) BUBBLERS FOR A TOTAL OF 0.50 GPM PER SYMBOL
 (2) EACH TREE TO RECEIVE (2) BUBBLERS FOR A TOTAL OF 1.00 GPM PER SYMBOL
 (3) EACH OAK TREE TO RECEIVE (3) DRIP EMITTERS FOR A TOTAL OF 6 GPH PER SYMBOL. EMITTERS TO BE SPACE EVENLY AROUND TRUCK AT PERIMETER OF ROOT BALL
 (4) FLOW IS IN GALLONS PER HOUR
 (5) EACH SHRUB TO RECEIVE ONE GPST2 EMITTER UNLESS OTHERWISE NOTED BELOW. LOCATE EMITTER ON UPHILL SIDE OF ROOTBALL, 6" CLEAR OF PLANT BASE

DRIP EMITTER ASSIGNMENTS:
 PLANTS TO RECEIVE GPST1 EMITTER - ARTEMISIA CALIFORNICA, ATRIPLEX CANASCENS, ENCELIA FARINOSA, ERIOGONUM GIGANTEUM, FALLUGIA PARADOXA, HESPERUYCCA WHIPPLEI, OPUNTIA BASILARIS
 PLANTS TO RECEIVE GPST4 EMITTER - CAREX PRAEGRACILIS, CERCIS OCCIDENTALIS, JUNCUS EFFUSUS, JUNCUS PATENS, LEYMUS CONDENSATUS, MUHLLENBERGIA RIGENS, ROSA CALIFORNICA, SAMBUCUS NIGRA

PIPE SIZING CHART

---	3/4" PIPE
---	1" PIPE
---	1 1/4" PIPE
---	1 1/2" PIPE
---	2" PIPE
---	2 1/2" PIPE
---	3" PIPE
---	4" PIPE
---	6" PIPE
---	8" PIPE

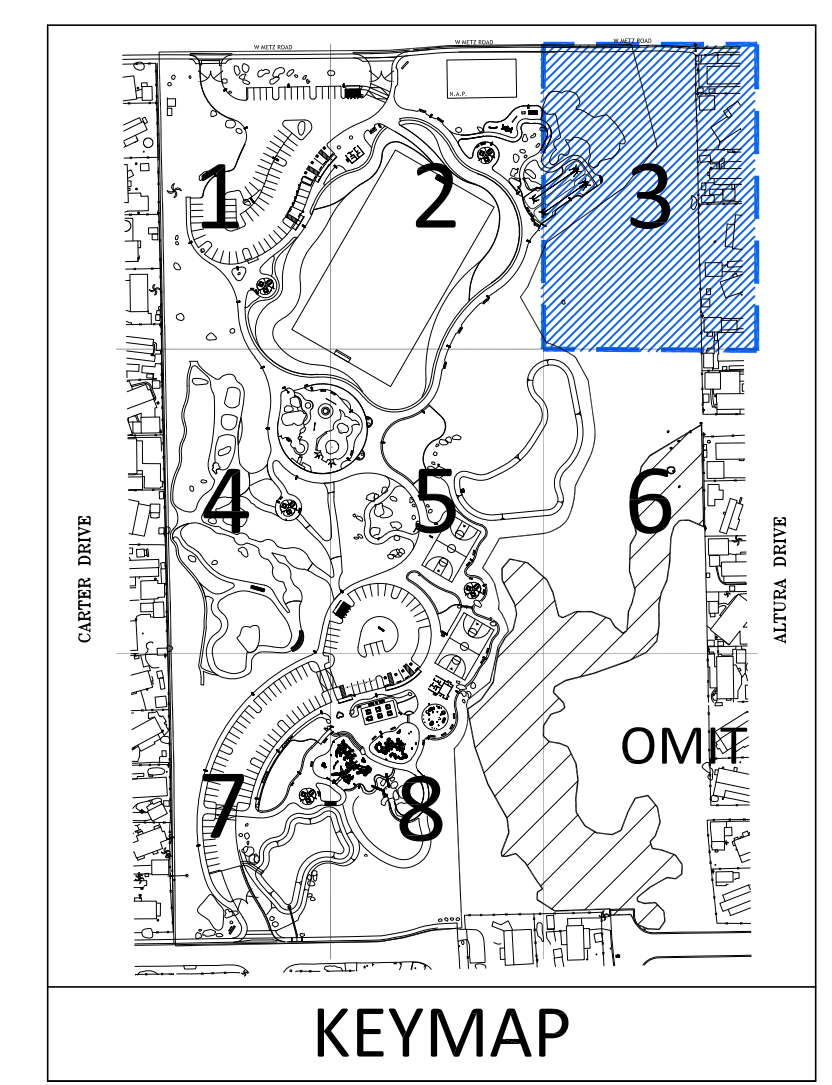
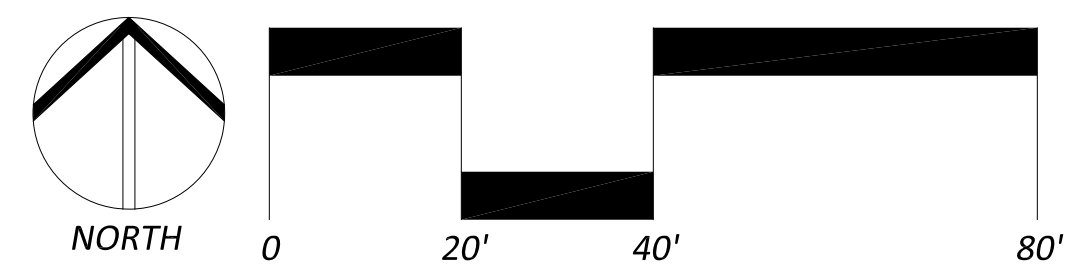
STATION # / CONTROLLER

FLOW (GPM)	VALVE SIZE
------------	------------

HYDROZONE AREA IRRIGATION TYPE PRECIP RATE PRESSURE

SCH 40 PVC SLEEVING CHART

1 1/4" SLEEVE	1-4 WIRES	1/2" PIPE
1 1/2" SLEEVE	5-10 WIRES	3/4" PIPE
2" SLEEVE	11-20 WIRES	1" PIPE
2 1/2" SLEEVE	21-30 WIRES	1 1/4" PIPE
3" SLEEVE	31-40 WIRES	1 1/2" PIPE
4" SLEEVE	41-60 WIRES	2" PIPE
6" SLEEVE	61-99 WIRES	2 1/2"-3" PIPE
8" SLEEVE	100+ WIRES	4" PIPE
10" SLEEVE	N/A	6" PIPE

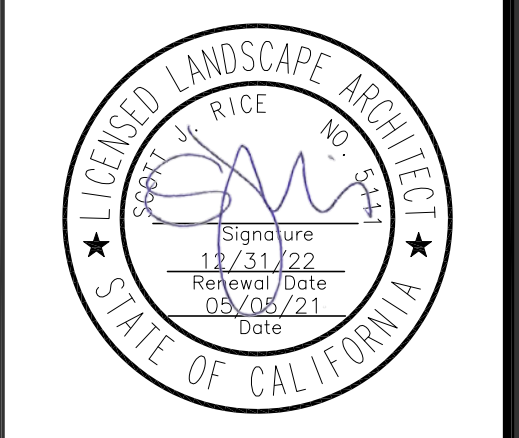


COMMUNITY WORKS DESIGN GROUP
 LANDSCAPE ARCHITECTURE
 4649 Brockton Ave.
 Riverside, CA 92506
 Phone: (951) 369-0700
 Fax: (951) 369-4039
 www.cwdg.fun

ENCHANTED HILLS PARK
 1400 WESTON ROAD
 PERRIS, CA 92570

JOB NUMBER: 190633
 DRAWN BY: KCK
 CHECKED BY: DB
 DATE: 05/05/21

REVISIONS:
 1 5-5-21 BID ADDENDUM #1



IRRIGATION PLAN

SCALE: 1"=20'

811
 Know what's below.
 Call before you dig.

MATCHLINE, SEE SHEET LI-1



MATCHLINE, SEE SHEET LI-5

MATCHLINE, SEE SHEET LI-7

EQUIPMENT LEGEND

SYMBOL	MANUFACTURER/MODEL #	SIZE	DETAIL	NOTES
[M]	POTABLE WATER IRRIGATION METER - INSTALL PER EMWD STANDARDS	2"	N/A	-
[C]	WEATHERTRAK WTPRO3-C-H2096-SWM 2-WIRE CONTROLLER BY HYDROPOINT EQUIPPED WITH OPTIFLOW AND PUMP START RELAY	96 STA.	'A', LI-6 'A', LI-9	(1,8)
[P]	GALE FORCE SERIES P20-GFS-1V-5-100-40-20(3)-B(1)CD(2)F BOOSTER PUMP BY INCONTROL WATER SYSTEMS BID 2020-122. CONNECT TO CONTROLLER	5 HP	'I', LI-10	(1)
[X]	FEBCO 8257 REDUCED PRESSURE BACKFLOW PREVENTER LOCATED IN A STRONG BOX SBBC-455S VANDAL RESISTANT ENCLOSURE	2"	'B', LI-9	(3)
[+]	SUPERIOR 3100PRS PRESSURE REGULATING MASTER VALVE WITH WEATHERTRAK MASTER VALVE DECODER	3"	'C', LI-9	-
[V]	WEATHERTRAK WFLOWHD-P-300 FLOW SENSOR IN WFLOWHD-P-INS EQUIPPED WITH FLOW SENSOR DECODER	3"	'K', LI-9	-
[X]	NIBCO P-619 RESILIENT WEDGE GATE VALVE	3"	'D', LI-9	-
[•]	NELSON 7645 QUICK COUPLING VALVE	1"	'E', LI-9	-
[•]	RAINBIRD EFB-CP-PRS-D REMOTE CONTROL VALVE WITH WEATHERTRAK SINGLE VALVE DECODER	PLAN SIZE	'F', LI-9	(4)
[•]	RAINBIRD XEZ-PRB-COM DRIP CONTROL ZONE ASSEMBLY WITH WEATHERTRAK SINGLE VALVE DECODER	PLAN SIZE	'G', LI-9	(4)
[---]	CLASS 315 PVC IRRIGATION MAINLINE - 18" MIN. COVER	3"	'H', LI-9 'G', LI-10	-
[---]	SCH. 40 PVC NON-PRESSURE LATERAL LINE - 12" MIN. COVER	PLAN SIZE	'H', LI-9	-
[---]	SCH 40 PVC IRRIGATION PIPE / WIRE SLEEVE - 24" MIN. COVER	SEE CHART	'I', LI-9	-
[---]	REGENCY WIRE 12/2 MAXI CABLE COMMUNICATIONS CABLE	N/A	'J', LI-9	-
[S]	TWO WIRE PATH SPLICE WITH PAIGE CABLE DCSD	1"	'D', LI-6	-
[▽]	SALCO SLV-AFV-075 AUTOMATIC FLUSH VALVE	PLAN SIZE	'L', LI-9	-
[---]	SCH. 40 PVC POINT TO POINT DRIP DISTRIBUTION PIPE - 6" MIN. COVER	3/4"	'H', LI-9 'A&H', LI-10	(2)

(1) LANDSCAPE CONTRACTOR TO COORDINATE ELECTRICAL POWER W/ ELECTRICAL CONTRACTOR
 (5) EACH SHRUB TO RECEIVE ONE GPST2 EMITTER UNLESS OTHERWISE NOTED BELOW. LOCATE EMITTER ON UPHILL SIDE OF ROOTBALL, 6" CLEAR OF PLANT BASE
 (6) DRIP DISTRIBUTION LAYOUT IS DIAGRAMMATIC ONLY. CONTRACTOR TO ADJUST LAYOUT TO SUPPLY DRIP EMITTERS TO ALL INDICATED PLANT MATERIAL
 (7) TWO VALVE DECODES TO BE USED AT VALVE GROUPINGS WHEREVER POSSIBLE
 (8) INSTALL SURGE ARRESTORS AT 600' O.C. ALONG 2-WIRE PATH PER MFG'S SPECS. GROUND PER MFG'S SPECS

SPRINKLER LEGEND

SYMBOL	MANUFACTURER/MODEL #	NOZZLE	RAD.	PSI	FLOW (GPM)										PRECIP RATE	DETAIL	NOTES
					Q	T	H	TT	TO	F	Von						
SHRUB HI-POP SPRAY HEADS																	
[•]	RAINBIRD 1806-SAM-P45-RVAN14	Q/H/TT/F	14'	45	0.32	0.63	0.73	1.27	0.61	'C', LI-10							
[•]	RAINBIRD 1806-SAM-P45-RVAN18	Q/H/TT/F	17'	45	0.50	1.01	1.17	1.85	0.61	'C', LI-10							
[•]	RAINBIRD 1806-SAM-P45-RVAN24	Q/H/TT/F	23'	45	0.84	1.68	1.96	3.48	0.61	'C', LI-10							
TURF POP-UP ROTOR HEADS																	
[•]	HUNTER I-20-06-PRB-MPR-25	90°/120°/180°/360°	25'	45	1.98			3.82	0.62	'D', LI-10							
[•]	HUNTER I-20-06-PRB-MPR-30	90°/120°/180°/360°	30'	45	1.40			2.96	0.62	'D', LI-10							
[•]	HUNTER I-20-06-PRB-MPR-35	90°/120°/180°/360°	35'	45				3.81	0.62	'D', LI-10							
[•]	HUNTER I-40-06	8/15	46'-55'	60	9.20			15.7	0.85	'D', LI-10							
[•]	HUNTER I-40-06-ON-15	18	59'	60					15.2	0.46	'D', LI-10						
SHRUB HI-POP ROTOR HEADS																	
[•]	HUNTER I-20-12-PRB-MPR-25	90°/120°/180°/360°	25'	45	1.00	1.38	1.98	3.82	0.62	'E', LI-10							
[•]	HUNTER I-20-12-PRB-MPR-30	90°/120°/180°/360°	30'	45	1.40	1.85	2.96	5.78	0.62	'E', LI-10							
[•]	HUNTER I-20-12-PRB-MPR-35	90°/120°/180°/360°	35'	45	2.46	3.81		7.58	0.62	'E', LI-10							
TREE BUBBLERS																	
[•]	RAINBIRD RWS-B-C-1401	F		30				0.25	3.00	'F', LI-10	(1)						
[•]	RAINBIRD RWS-B-C-1402	F		30				0.50	6.00	'F', LI-10	(2)						
[•]	GPH GPST2 DRIP EMITTER	F		30				0.10	0.48	'A', LI-10	(3)						
SHRUB DRIP EMITTERS																	
[•]	NOT SHOWN	GPH GPST2 DRIP EMITTER	F	30				2.00	0.36	'A', LI-10	(4,5)						

(1) EACH TREE TO RECEIVE (2) BUBBLERS FOR A TOTAL OF 0.50 GPM PER SYMBOL
 (2) EACH TREE TO RECEIVE (2) BUBBLERS FOR A TOTAL OF 1.00 GPM PER SYMBOL
 (3) EACH OAK TREE TO RECEIVE (3) DRIP EMITTERS FOR A TOTAL OF 6 GPH PER SYMBOL. EMITTERS TO BE SPACE EVENLY AROUND TRUCK AT PERIMETER OF ROOT BALL
 (4) FLOW IS IN GALLONS PER HOUR
 (5) EACH SHRUB TO RECEIVE ONE GPST2 EMITTER UNLESS OTHERWISE NOTED BELOW. LOCATE EMITTER ON UPHILL SIDE OF ROOTBALL, 6" CLEAR OF PLANT BASE

DRIP EMITTER ASSIGNMENTS:
 PLANTS TO RECEIVE GPST1 EMITTER - ARTEMISIA CALIFORNICA, ATRIPLEX CANASCENS, ENCELIA FARINOSA, ERIOGONUM GIGANTEUM, FALLUGIA PARADOXA, HESPERUYCCA WHIPPLEI, OPUNTIA BASILARIS
 PLANTS TO RECEIVE GPST4 EMITTER - CAREX PRAEGRACILIS, CERCIS OCCIDENTALIS, JUNCUS EFFUSUS, JUNCUS PATENS, LEYMUS CONDENSATUS, MUHLENBERGIA RIGENS, ROSA CALIFORNICA, SAMBUCUS NIGRA

PIPE SIZING CHART

---	3/4" PIPE
---	1" PIPE
---	1 1/4" PIPE
---	1 1/2" PIPE
---	2" PIPE
---	2 1/2" PIPE
---	3" PIPE
---	4" PIPE
---	6" PIPE
---	8" PIPE

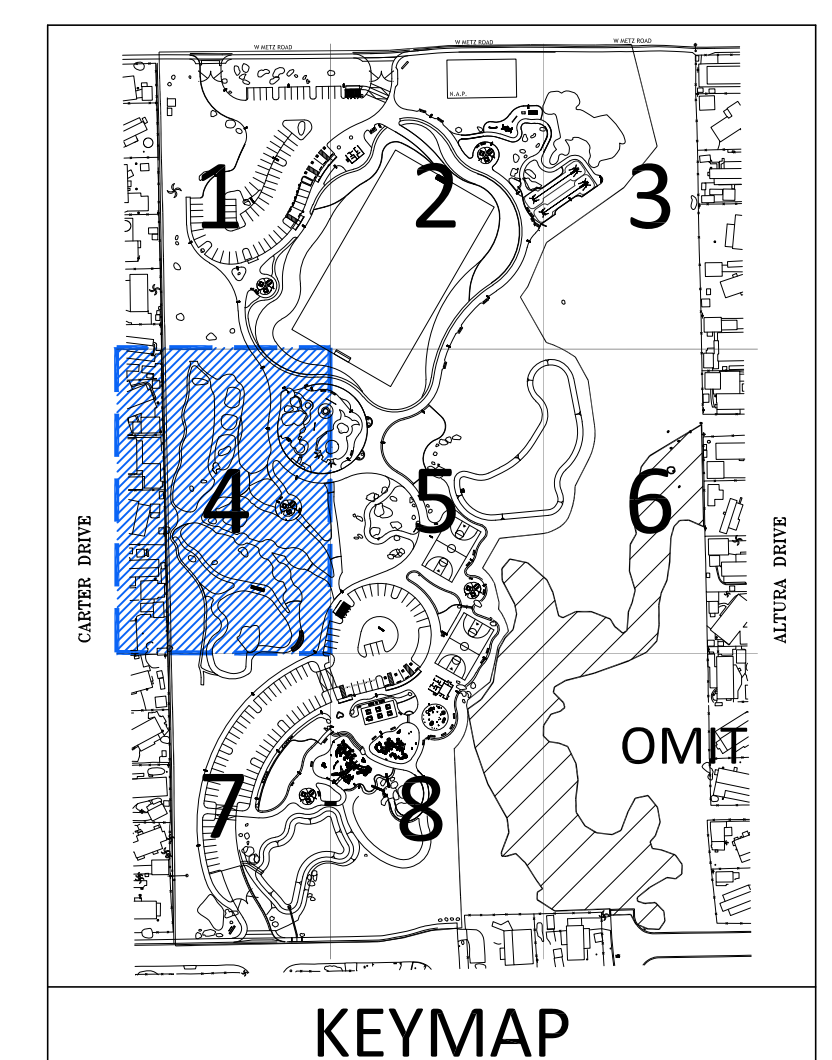
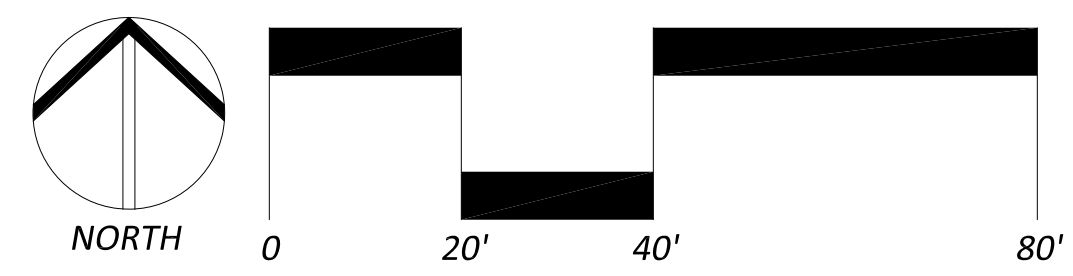
STATION # / CONTROLLER

FLOW (GPM)	VALVE SIZE

HYDROZONE
 AREA
 IRRIGATION
 TYPE
 PRECIP RATE
 PRESSURE

SCH 40 PVC SLEEVING CHART

1 1/4" SLEEVE	1-4 WIRES	1/2" PIPE
1 1/2" SLEEVE	5-10 WIRES	3/4" PIPE
2" SLEEVE	11-20 WIRES	1" PIPE
2 1/2" SLEEVE	21-30 WIRES	1 1/4" PIPE
3" SLEEVE	31-40 WIRES	1 1/2" PIPE
4" SLEEVE	41-60 WIRES	2" PIPE
6" SLEEVE	61-99 WIRES	2 1/2"-3" PIPE
8" SLEEVE	100+ WIRES	4" PIPE
10" SLEEVE	N/A	6" PIPE

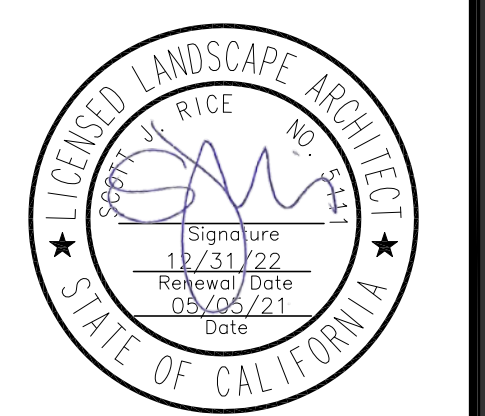


COMMUNITY WORKS DESIGN GROUP
 LANDSCAPE ARCHITECTURE
 4649 Brockton Ave.
 Riverside, CA 92506
 Phone: (951) 369-0700
 Fax: (951) 369-4039
 www.cwdg.fun

ENCHANTED HILLS PARK
 1400 WESTON ROAD
 PERRIS, CA 92570

JOB NUMBER: 190633
 DRAWN BY: KCK
 CHECKED BY: DB
 DATE: 05/05/21

REVISIONS:
 1 5-5-21 BID ADDENDUM #1



IRRIGATION PLAN

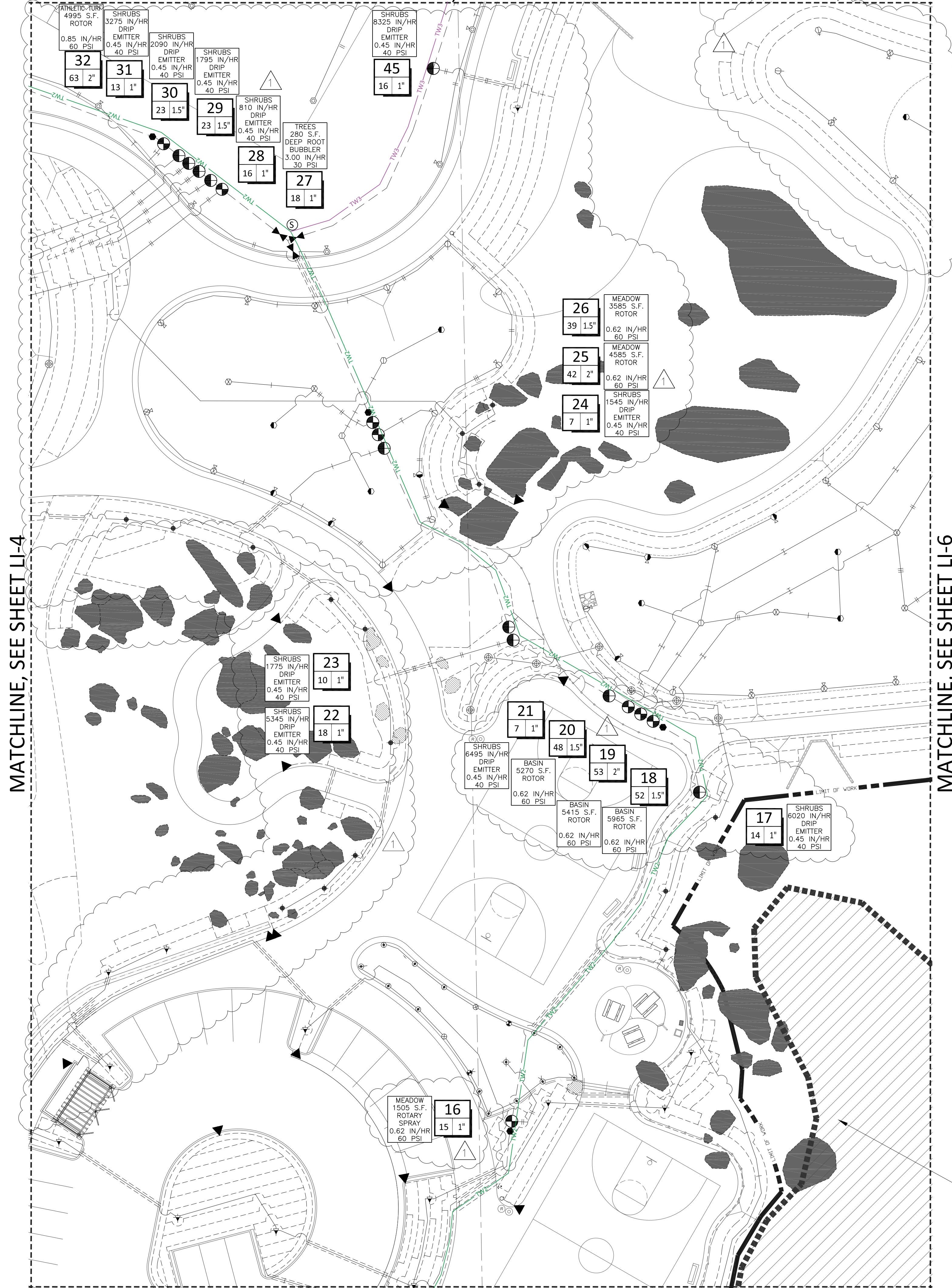
SCALE: 1"=20'

811
 Know what's below.
 Call before you dig.

LI-4

SHEET 48 OF 88

MATCHLINE, SEE SHEET LI-2



MATCHLINE, SEE SHEET LI-8

MATCHLINE, SEE SHEET LI-4

MATCHLINE, SEE SHEET LI-6

SYMBOL	MANUFACTURER/MODEL #	SIZE	DETAIL	NOTES
M	POTABLE WATER IRRIGATION METER - INSTALL PER EMWD STANDARDS	2"	N/A	-
C	WEATHERTRAK WTPRO3-C-H2096-SWM 2-WIRE CONTROLLER BY HYDROPOINT EQUIPPED WITH OPTIFLOW AND PUMP START RELAY	96 STA.	'A', LI-6 'A', LI-9	(1,8)
P	GALVE FORCE SERIES P20-GFS-1V-5-100-40-20(3)-B(1)CD(2)F BOOSTER PUMP BY INCONTROL WATER SYSTEMS BID 2020-122. CONNECT TO CONTROLLER	5 HP	'I', LI-10	(1)
⊕	FEBCO 825Y REDUCED PRESSURE BACKFLOW PREVENTER LOCATED IN A STRONG BOX SBBC-45SS VANDAL RESISTANT ENCLOSURE	2"	'B', LI-9	(3)
⊕	SUPERIOR 3100PRS PRESSURE REGULATING MASTER VALVE WITH WEATHERTRAK MASTER VALVE DECODER	3"	'C', LI-9	-
⊕	WEATHERTRAK WTFLOWHD-P-300 FLOW SENSOR IN WTFLOWHD-P-INS EQUIPPED WITH FLOW SENSOR DECODER	3"	'K', LI-9	-
⊕	NIBCO P-619 RESILIENT WEDGE GATE VALVE	3"	'D', LI-9	-
●	NELSON 7645 QUICK COUPLING VALVE	1"	'E', LI-9	-
⊕	RAINBIRD EFB-CP-PRS-D REMOTE CONTROL VALVE WITH WEATHERTRAK SINGLE VALVE DECODER	PLAN SIZE	'F', LI-9	(4)
⊕	RAINBIRD XCZ-PRB-COM DRIP CONTROL ZONE ASSEMBLY WITH WEATHERTRAK SINGLE VALVE DECODER	PLAN SIZE	'C', LI-9	(4)
---	CLASS 315 PVC IRRIGATION MAINLINE - 18" MIN. COVER	3"	'H', LI-9 'G', LI-10	-
---	SCH. 40 PVC NON-PRESSURE LATERAL LINE - 12" MIN. COVER	PLAN SIZE	'H', LI-9	-
---	SCH 40 PVC IRRIGATION PIPE / WIRE SLEEVE - 24" MIN. COVER	SEE CHART	'I', LI-9	-
---	REGENCY WIRE 12/2 MAXI CABLE COMMUNICATIONS CABLE	N/A	'J', LI-9	-
⊕	TWO WIRE PATH SPLICE WITH PAIGE CABLE DCSD	1"	'D', LI-6	-
⊕	SALCO SLV-AFV-075 AUTOMATIC FLUSH VALVE	PLAN SIZE	'L', LI-9	-
---	SCH. 40 PVC POINT TO POINT DRIP DISTRIBUTION PIPE - 6" MIN. COVER	3/4"	'H', LI-9 'A&H', LI-10	(2)
(1) LANDSCAPE CONTRACTOR TO COORDINATE ELECTRICAL POWER W/ ELECTRICAL CONTRACTOR (2) EACH SHRUB TO RECEIVE ONE GPST2 EMITTER UNLESS OTHERWISE NOTED BELOW. LOCATE EMITTER ON UPHILL SIDE OF ROOTBALL, 6" CLEAR OF PLANT BASE (3) EACH TREE TO RECEIVE (2) BUBBLERS FOR A TOTAL OF 1.00 GPM PER SYMBOL (4) EACH OAK TREE TO RECEIVE (3) DRIP EMITTERS FOR A TOTAL OF 6 GPH PER SYMBOL. EMITTERS TO BE SPACE EVENLY AROUND TRUCK AT PERIMETER OF ROOT BALL (5) FLOW IS IN GALLONS PER HOUR (6) EACH SHRUB TO RECEIVE ONE GPST2 EMITTER UNLESS OTHERWISE NOTED BELOW. LOCATE EMITTER ON UPHILL SIDE OF ROOTBALL, 6" CLEAR OF PLANT BASE (7) TWO VALVE DECODERS TO BE USED AT VALVE GROUPINGS WHEREVER POSSIBLE (8) INSTALL SURGE ARRESTORS AT 600' O.C. ALONG 2-WIRE PATH PER MFG'S SPECS. GROUND PER MFG'S SPECS				

SYMBOL	MANUFACTURER/MODEL #	NOZZLE	RAD.	PSI	FLOW (GPM)								PRECIP RATE	DETAIL	NOTES
					Q	T	H	TT	TQ	F	Van				
SHRUB HI-POP SPRAY HEADS															
⊕	RAINBIRD 1806-SAM-P45-RVAN14	Q/H/TT/F	14'	45	0.32	0.63	0.73	1.27	0.61	'C', LI-10					
⊕	RAINBIRD 1806-SAM-P45-RVAN18	Q/H/TT/F	17'	45	0.50	1.01	1.17	1.85	0.61	'C', LI-10					
⊕	RAINBIRD 1806-SAM-P45-RVAN24	Q/H/TT/F	23'	45	0.84	1.68	1.96	3.48	0.61	'C', LI-10					
TURF POP-UP ROTOR HEADS															
⊕	HUNTER I-20-06-PRB-MPR-25	90°/120°/180°/360°	25'	45		1.98		3.82	0.62	'D', LI-10					
⊕	HUNTER I-20-06-PRB-MPR-30	90°/120°/180°/360°	30'	45	1.40	2.96		5.78	0.62	'D', LI-10					
⊕	HUNTER I-20-06-PRB-MPR-35	90°/120°/180°/360°	35'	45		3.81			0.62	'D', LI-10					
⊕	HUNTER I-40-06	8/15	46'-55'	60	9.20	15.7			0.85	'D', LI-10					
⊕	HUNTER I-40-06-ON-15	1B	59'	60				15.2	0.46	'D', LI-10					
SHRUB HI-POP ROTOR HEADS															
⊕	HUNTER I-20-12-PRB-MPR-25	90°/120°/180°/360°	25'	45	1.00	1.38	1.98		3.82	0.62	'E', LI-10				
⊕	HUNTER I-20-12-PRB-MPR-30	90°/120°/180°/360°	30'	45	1.40	1.85	2.96		5.78	0.62	'E', LI-10				
⊕	HUNTER I-20-12-PRB-MPR-35	90°/120°/180°/360°	35'	45	2.46	3.81			7.58	0.62	'E', LI-10				
TREE BUBBLERS															
⊕	RAINBIRD RWS-B-C-1401	F		30				0.25	3.00	'F', LI-10	(1)				
⊕	RAINBIRD RWS-B-C-1402	F		30				0.50	6.00	'F', LI-10	(2)				
⊕	GPH GPST2 DRIP EMITTER	F		30				0.10	0.48	'A', LI-10	(3)				
SHRUB DRIP EMITTERS															
⊕	NOT SHOWN	GPH GPST2 DRIP EMITTER	F		30			2.00	0.36	'A', LI-10	(4,5)				

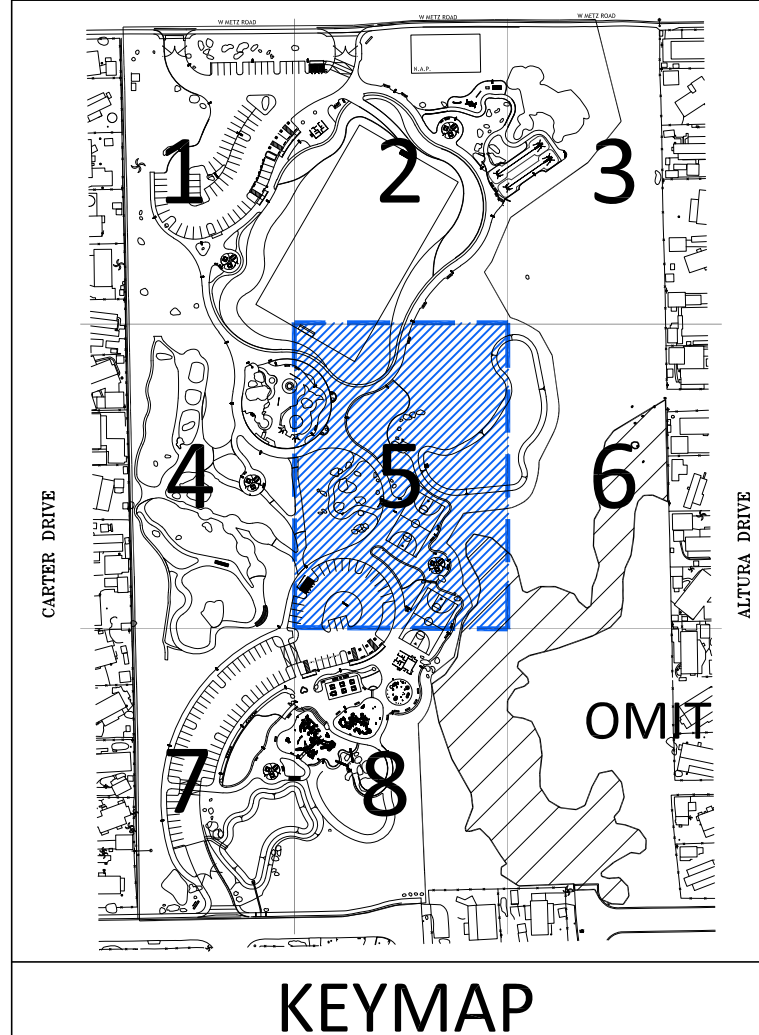
DRIP EMITTER ASSIGNMENTS:
 PLANTS TO RECEIVE GPST1 EMITTER - ARTEMISIA CALIFORNICA, ATRIPLEX CANASCENS, ENCELIA FARINOSA, ERIOGONUM GIGANTEUM, FALLUGIA PARADOXA, HESPERUYUCCA WHIPPLEI, OPUNTIA BASILARIS
 PLANTS TO RECEIVE GPST4 EMITTER - CAREX PRAEGRACILIS, CERCIIS OCCIDENTALIS, JUNCUS EFFUSUS, JUNCUS PATENS, LEYMUS CONDENSATUS, MUHLLENBERGIA RIGENS, ROSA CALIFORNICA, SAMBUCUS NIGRA

—	3/4" PIPE
—	1" PIPE
—	1 1/4" PIPE
—	1 1/2" PIPE
—	2" PIPE
—	2 1/2" PIPE
—	3" PIPE
—	4" PIPE
—	6" PIPE
—	8" PIPE

STATION # / CONTROLLER		HYDROZONE AREA IRRIGATION TYPE PRECIP RATE PRESSURE
FLOW (GPM)	VALVE SIZE	

1 1/4" SLEEVE	1-4 WIRES	1/2" PIPE
1 1/2" SLEEVE	5-10 WIRES	3/4" PIPE
2" SLEEVE	11-20 WIRES	1" PIPE
2 1/2" SLEEVE	21-30 WIRES	1 1/4" PIPE
3" SLEEVE	31-40 WIRES	1 1/2" PIPE
4" SLEEVE	41-60 WIRES	2" PIPE
6" SLEEVE	61-99 WIRES	2 1/2"-3" PIPE
8" SLEEVE	100+ WIRES	4" PIPE
10" SLEEVE	N/A	6" PIPE

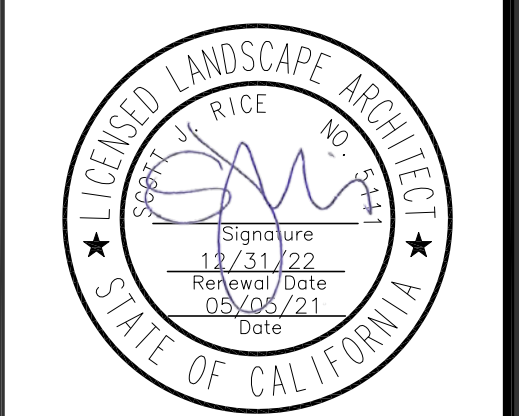
RIPARIAN/RIVERINE AREA; PROTECT IN PLACE



4649 Brockton Ave.
 Riverside, CA 92506
 Phone: (951) 369-0700
 Fax: (951) 369-4039
 www.cwdg.fun

ENCHANTED HILLS PARK
 1400 WESTON ROAD
 PERRIS, CA 92570

JOB NUMBER: 190633
 DRAWN BY: KCK
 CHECKED BY: DB
 DATE: 05/05/21
 REVISIONS:
 1 5-5-21 BID ADDENDUM #1



IRRIGATION PLAN

SCALE: 1"=20'

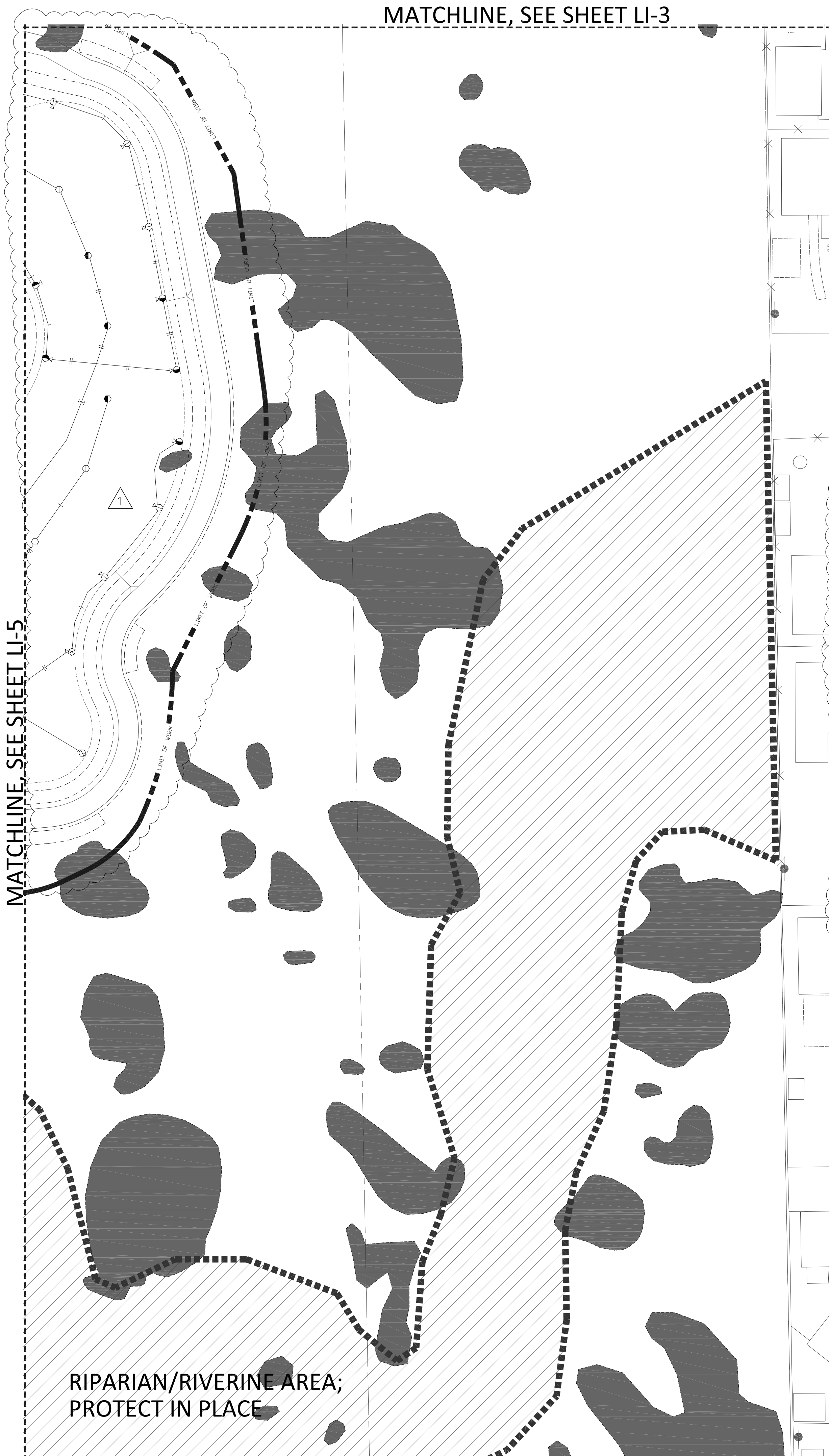
811
 Know what's below.
 Call before you dig.

LI-5

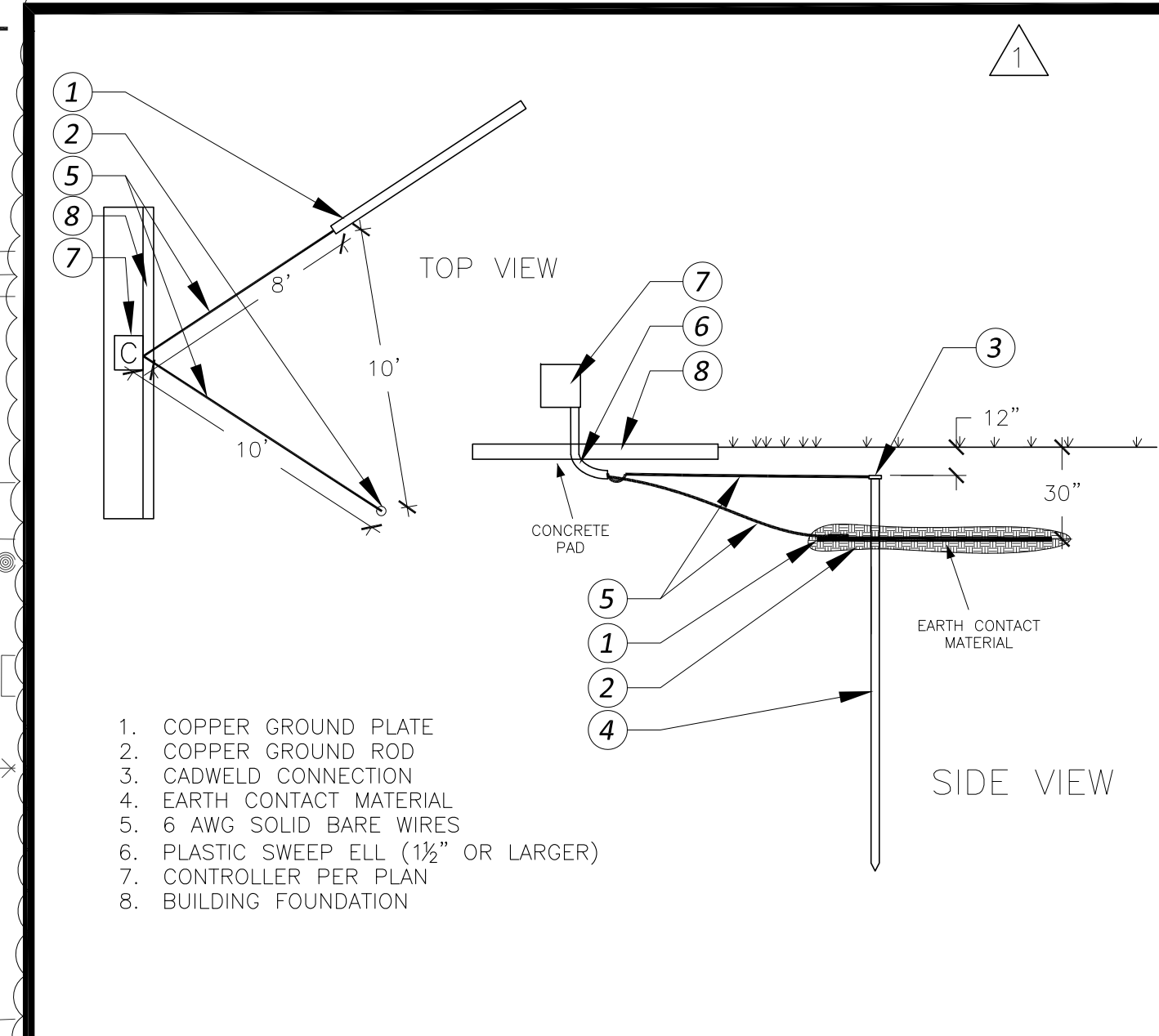
May 05, 2021 - 4:53pm Allison Rush F:\Enchanted Hills Park - Perris\CD's\irrigation- Base Bid.dwg

MATCHLINE, SEE SHEET LI-3

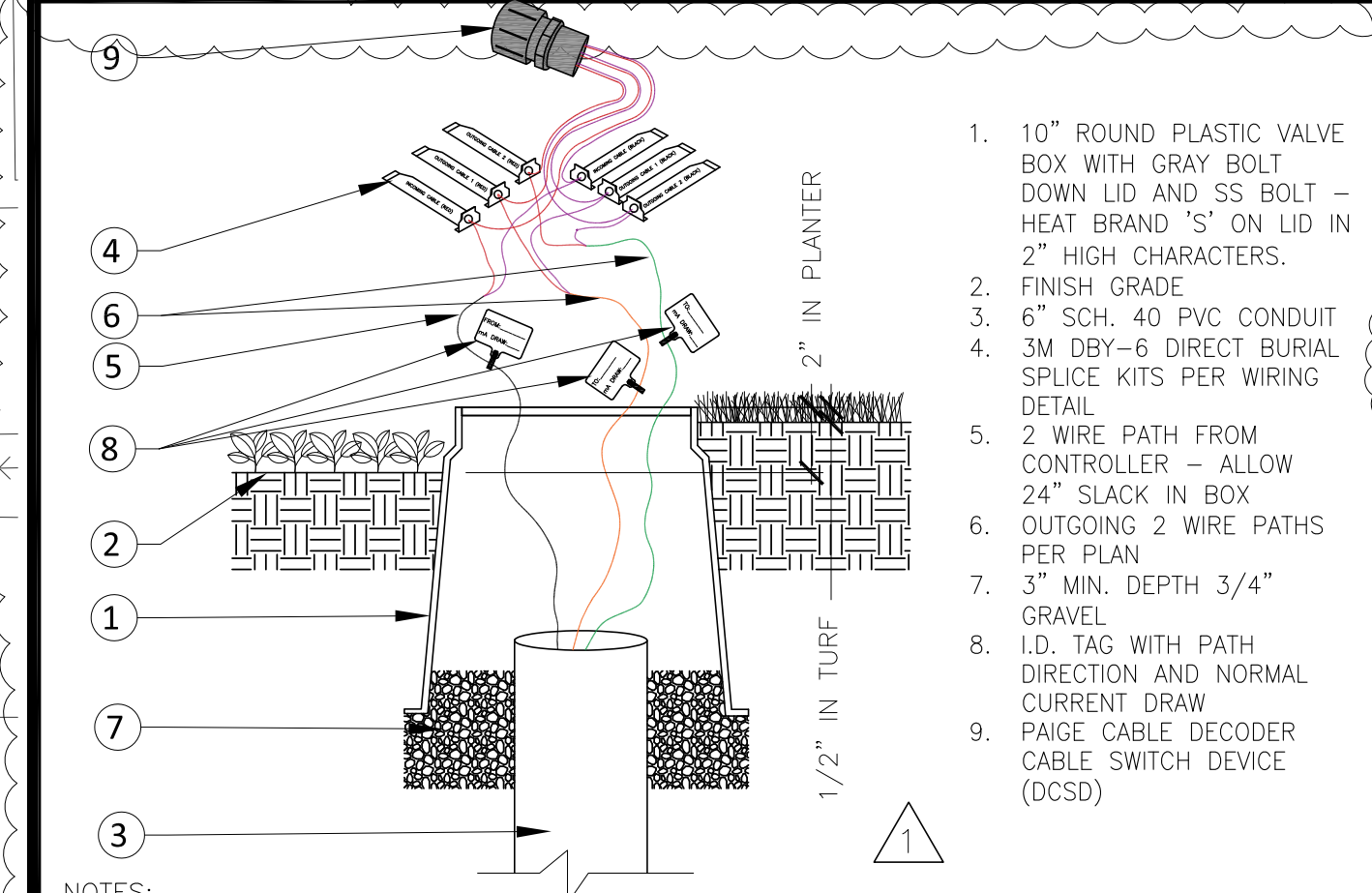
MATCHLINE, SEE SHEET LI-5



MATCHLINE, SEE SHEET LI-9



A Controller Grounding



B Switch at Path Splice

EQUIPMENT LEGEND				
SYMBOL	MANUFACTURER/MODEL #	SIZE	DETAIL	NOTES
[M]	POTABLE WATER IRRIGATION METER - INSTALL PER EMWD STANDARDS	2"	N/A	-
[C]	WEATHERTRAK WTPRO3-C-H2096-SWM 2-WIRE CONTROLLER BY HYDROPOINT EQUIPPED WITH OPTIFLOW AND PUMP START RELAY	96 STA.	'A', LI-6 'A', LI-9	(1,8)
[P]	GALE FORCE SERIES P20-GFS-1V-S-100-40-20(3)-B(1)CD(2)F BOOSTER PUMP BY INCONTROL WATER SYSTEMS BID 2020-122 CONNECT TO CONTROLLER	5 HP	'I', LI-10	(1)
[X]	FEBCO 825V REDUCED PRESSURE BACKFLOW PREVENTER LOCATED IN A STRONG BOX SBBC-45SS VANDAL RESISTANT ENCLOSURE	2"	'B', LI-9	(3)
[⊕]	SUPERIOR 3100PRS PRESSURE REGULATING MASTER VALVE WITH WEATHERTRAK MASTER VALVE DECODER	3"	'C', LI-9	-
[⊕]	WEATHERTRAK WIFLOWHD-P-300 FLOW SENSOR IN WIFLOWHD-P-INS EQUIPPED WITH FLOW SENSOR DECODER	3"	'K', LI-9	-
[X]	NIBCO P-619 RESILIENT WEDGE GATE VALVE	3"	'D', LI-9	-
[•]	NELSON 7645 QUICK COUPLING VALVE	1"	'E', LI-9	-
[⊕]	RAINBIRD EFB-CP-PRS-D REMOTE CONTROL VALVE WITH WEATHERTRAK SINGLE VALVE DECODER	PLAN SIZE	'F', LI-9	(4)
[⊕]	RAINBIRD XGZ-PRB-COM DRIP CONTROL ZONE ASSEMBLY WITH WEATHERTRAK SINGLE VALVE DECODER	PLAN SIZE	'G', LI-9	(4)
[---]	CLASS 315 PVC IRRIGATION MAINLINE - 18" MIN. COVER	3"	'H', LI-9	-
[---]	SCH. 40 PVC NON-PRESSURE LATERAL LINE - 12" MIN. COVER	PLAN SIZE	'H', LI-9	-
[---]	SCH 40 PVC IRRIGATION PIPE / WIRE SLEEVE - 24" MIN. COVER	SEE CHART	'I', LI-9	-
[TWI]	REGENCY WIRE 12/2 MAXI CABLE COMMUNICATIONS CABLE	N/A	'J', LI-9	-
[S]	TWO WIRE PATH SPLICE WITH PAIGE CABLE DCSD	1"	'D', LI-6	-
[▽]	SALCO SLV-AFV-075 AUTOMATIC FLUSH VALVE	PLAN SIZE	'L', LI-9	-
[---]	SCH. 40 PVC POINT TO POINT DRIP DISTRIBUTION PIPE - 6" MIN. COVER	3/4"	'M', LI-9 'A&H', LI-10	(2)

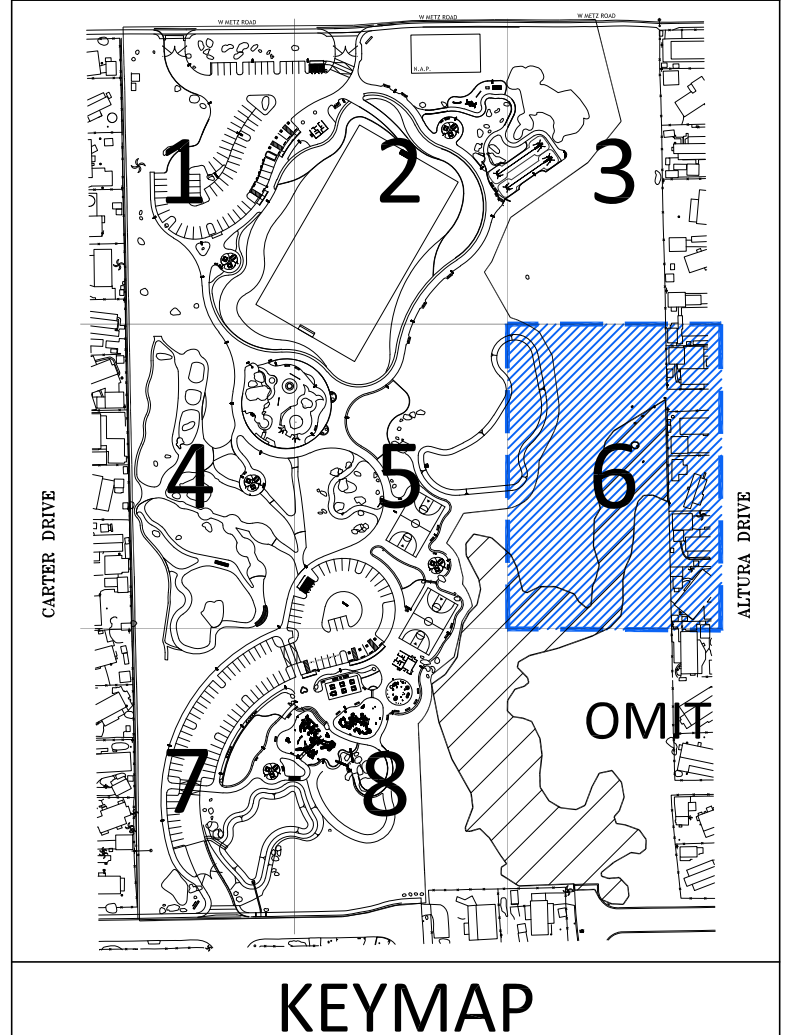
SPRINKLER LEGEND												
SYMBOL	MANUFACTURER/MODEL #	NOZZLE	RAD.	PSI	FLOW (GPM)					PRECIP RATE	DETAIL	NOTES
					Q	T	H	TT	TQ			
SHRUB HI-POP SPRAY HEADS												
[⊕]	RAINBIRD 1806-SAM-P45-RVAN14	Q/H/TT/F	14'	45	0.32	0.63	0.73	1.27	0.61	'C', LI-10	(1)	
[⊕]	RAINBIRD 1806-SAM-P45-RVAN18	Q/H/TT/F	17'	45	0.50	1.01	1.17	1.85	0.61	'C', LI-10	-	
[⊕]	RAINBIRD 1806-SAM-P45-RVAN24	Q/H/TT/F	23'	45	0.84	1.68	1.96	3.48	0.61	'C', LI-10	-	
TURF POP-UP ROTOR HEADS												
[⊕]	HUNTER I-20-06-PRB-MPR-25	90°/120°/180°/360°	25'	45		1.98		3.82	0.62	'D', LI-10	-	
[⊕]	HUNTER I-20-06-PRB-MPR-30	90°/120°/180°/360°	30'	45	1.40	2.96		5.78	0.62	'D', LI-10	-	
[⊕]	HUNTER I-20-06-PRB-MPR-35	90°/120°/180°/360°	35'	45		3.81			0.62	'D', LI-10	-	
[⊕]	HUNTER I-40-06	8/15	46'-55'	60	9.20	15.7			0.85	'D', LI-10	-	
[⊕]	HUNTER I-40-06-ON-15	18	59'	60				15.2	0.46	'D', LI-10	-	
SHRUB HI-POP ROTOR HEADS												
[⊕]	HUNTER I-20-12-PRB-MPR-25	90°/120°/180°/360°	25'	45	1.00	1.38	1.98	3.82	0.62	'E', LI-10	-	
[⊕]	HUNTER I-20-12-PRB-MPR-30	90°/120°/180°/360°	30'	45	1.40	1.85	2.96	5.78	0.62	'E', LI-10	-	
[⊕]	HUNTER I-20-12-PRB-MPR-35	90°/120°/180°/360°	35'	45	2.46	3.81		7.58	0.62	'E', LI-10	-	
TREE BUBBLERS												
[⊕]	RAINBIRD RWS-B-C-1401	F		30				0.25	3.00	'F', LI-10	(1)	
[⊕]	RAINBIRD RWS-B-C-1402	F		30				0.50	6.00	'F', LI-10	(2)	
[⊕]	GPH GPST2 DRIP EMITTER	F		30				0.10	0.48	'A', LI-10	(3)	
SHRUB DRIP EMITTERS												
NOT SHOWN	GPH GPST2 DRIP EMITTER	F		30				2.00	0.36	'A', LI-10	(4,5)	

DRIP EMITTER ASSIGNMENTS:
 PLANTS TO RECEIVE GPST1 EMITTER - ARTEMISIA CALIFORNICA, ATRIPLEX CANASCENS, ENCELIA FARINOSA, ERIOGONUM GIGANTEUM, FALLUGIA PARADOXA, HESPERUYCCA WHIPPLEI, OPUNTIA BASILARIS
 PLANTS TO RECEIVE GPST4 EMITTER - CAREX PRAEGRACILIS, CERCIS OCCIDENTALIS, JUNCUS EFFUSUS, JUNCUS PATENS, LEYMUS CONDENSATUS, MUHLBERGIA RIGENS, ROSA CALIFORNICA, SAMBUCCUS NIGRA

PIPE SIZING CHART	
3/4" PIPE	1" PIPE
1 1/4" PIPE	1 1/2" PIPE
2" PIPE	2 1/2" PIPE
3" PIPE	4" PIPE
4" PIPE	6" PIPE
6" PIPE	8" PIPE

SCH 40 PVC SLEEVING CHART		
1 1/4" SLEEVE	1-4 WIRES	1/2" PIPE
1 1/2" SLEEVE	5-10 WIRES	3/4" PIPE
2" SLEEVE	11-20 WIRES	1" PIPE
2 1/2" SLEEVE	21-30 WIRES	1 1/4" PIPE
3" SLEEVE	31-40 WIRES	1 1/2" PIPE
4" SLEEVE	41-60 WIRES	2" PIPE
6" SLEEVE	61-99 WIRES	2 1/2"-3" PIPE
8" SLEEVE	100+ WIRES	4" PIPE
10" SLEEVE	N/A	6" PIPE

STATION # / CONTROLLER
 FLOW (GPM) VALVE SIZE
 HYDROZONE AREA IRRIGATION TYPE PRECIP RATE PRESSURE

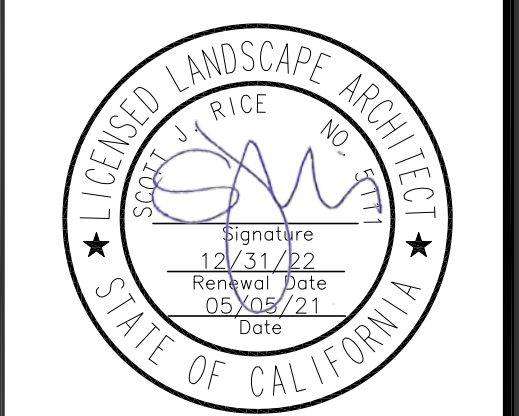


COMMUNITY WORKS DESIGN GROUP
 LANDSCAPE ARCHITECTURE
 4649 Brockton Ave.
 Riverside, CA 92506
 Phone: (951) 369-0700
 Fax: (951) 369-4039
 www.cwdg.fun

ENCHANTED HILLS PARK
 1400 WESTON ROAD
 PERRIS, CA 92570

JOB NUMBER: 190633
 DRAWN BY: KCK
 CHECKED BY: DB
 DATE: 05/05/21

REVISIONS:
 1 5-5-21 BID ADDENDUM #1



IRRIGATION PLAN

SCALE: 1"=20'

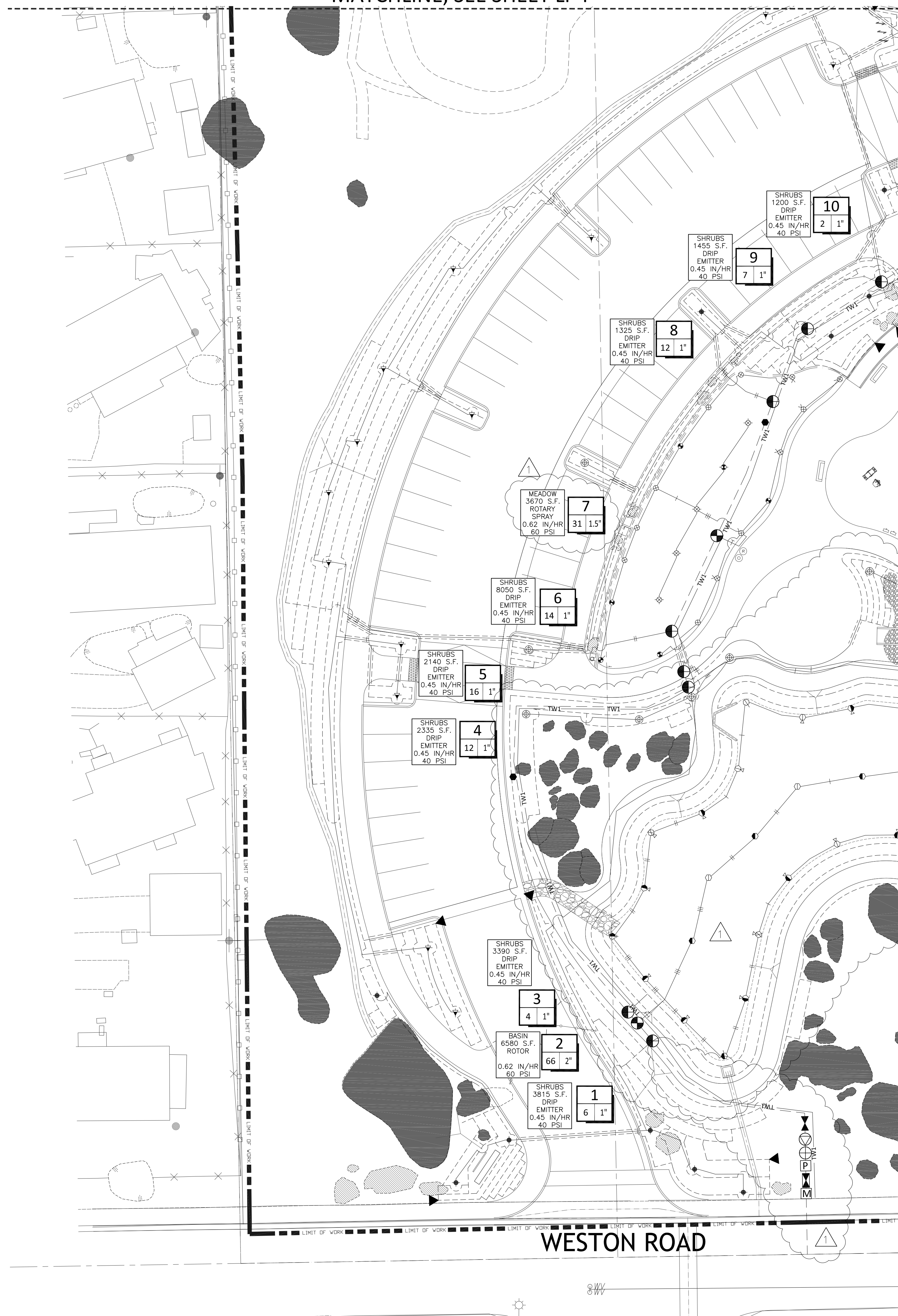
811
 Know what's below.
 Call before you dig.

LI-6

MATCHLINE, SEE SHEET LI-4

MATCHLINE, SEE SHEET LI-8

May 05, 2021 - 4:54pm Allison Rush
 F:\Enchanted Hills Park - Perris\CD's\irrigation-Base Bid.dwg



WESTON ROAD

EQUIPMENT LEGEND

SYMBOL	MANUFACTURER/MODEL #	SIZE	DETAIL	NOTES
M	POTABLE WATER IRRIGATION METER - INSTALL PER EMWD STANDARDS	2"	N/A	-
C	WEATHERTRAK WTPRO3-C-H2096-SWM 2-WIRE CONTROLLER BY HYDROPOINT EQUIPPED WITH OPTIFLOW AND PUMP START RELAY	96 STA.	'A', LI-6 'A', LI-9	(1,8)
P	GALE FORCE SERIES P20-GFS-1V-5-100-40-20(3)-B(1)CD(2)F BOOSTER PUMP BY INCONTROL WATER SYSTEMS BID 2020-122. CONNECT TO CONTROLLER	5 HP	'I', LI-10	(1)
⊗	FEBCO 825Y REDUCED PRESSURE BACKFLOW PREVENTER LOCATED IN A STRONG BOX SBBC-45SS VANDAL RESISTANT ENCLOSURE	2"	'B', LI-9	(3)
⊕	SUPERIOR 3100PRS PRESSURE REGULATING MASTER VALVE WITH WEATHERTRAK MASTER VALVE DECODER	3"	'C', LI-9	-
⊖	WEATHERTRAK WFLOWHD-P-300 FLOW SENSOR IN WFLOWHD-P-INS EQUIPPED WITH FLOW SENSOR DECODER	3"	'K', LI-9	-
⊗	NIBCO P-619 RESILIENT WEDGE GATE VALVE	3"	'D', LI-9	-
●	NELSON 7645 QUICK COUPLING VALVE	1"	'E', LI-9	-
⊕	RAINBIRD EFB-CP-PRS-D REMOTE CONTROL VALVE WITH WEATHERTRAK SINGLE VALVE DECODER	PLAN SIZE	'F', LI-9	(4)
⊖	RAINBIRD XCZ-PRB-COM DRIP CONTROL ZONE ASSEMBLY WITH WEATHERTRAK SINGLE VALVE DECODER	PLAN SIZE	'G', LI-9	(4)
---	CLASS 315 PVC IRRIGATION MAINLINE - 18" MIN. COVER	3"	'H', LI-10	-
---	SCH. 40 PVC NON-PRESSURE LATERAL LINE - 12" MIN. COVER	PLAN SIZE	'H', LI-9	-
---	SCH 40 PVC IRRIGATION PIPE / WIRE SLEEVE - 24" MIN. COVER	SEE CHART	'I', LI-9	-
---	REGENCY WIRE 12/2 MAXI CABLE COMMUNICATIONS CABLE	N/A	'J', LI-9	-
Ⓢ	TWO WIRE PATH SPLICE WITH PAIGE CABLE DCSD	1"	'D', LI-6	-
▼	SALCO SLV-AFV-075 AUTOMATIC FLUSH VALVE	PLAN SIZE	'L', LI-9	-
---	SCH. 40 PVC POINT TO POINT DRIP DISTRIBUTION PIPE - 6" MIN. COVER	3/4"	'H', LI-9 'A&H', LI-10	(2)

(1) LANDSCAPE CONTRACTOR TO COORDINATE ELECTRICAL POWER W/ ELECTRICAL CONTRACTOR
 (5) EACH SHRUB TO RECEIVE ONE GPST2 EMITTER UNLESS OTHERWISE NOTED BELOW. LOCATE EMITTER ON UPHILL SIDE OF ROOTBALL, 6" CLEAR OF PLANT BASE
 (6) DRIP DISTRIBUTION LAYOUT IS DIAGRAMMATIC ONLY. CONTRACTOR TO ADJUST LAYOUT TO SUPPLY DRIP EMITTERS TO ALL INDICATED PLANT MATERIAL
 (7) TWO VALVE DECODERS TO BE USED AT VALVE GROUPINGS WHEREVER POSSIBLE
 (8) INSTALL SURGE ARRESTORS AT 600' O.C. ALONG 2-WIRE PATH PER MFG'S SPECS. GROUND PER MFG'S SPECS

SPRINKLER LEGEND

SYMBOL	MANUFACTURER/MODEL #	NOZZLE	RAD.	PSI	FLOW (GPM)							PRECIP RATE	DETAIL	NOTES
					Q	T	H	TT	TQ	F	Von			
SHRUB HI-POP SPRAY HEADS														
⊕	RAINBIRD 1806-SAM-P45-RVAN14	Q/H/TT/F	14'	45	0.32	0.63	0.73	1.27	0.61	'C', LI-10				
⊕	RAINBIRD 1806-SAM-P45-RVAN18	Q/H/TT/F	17'	45	0.50	1.01	1.17	1.85	0.61	'C', LI-10				
⊕	RAINBIRD 1806-SAM-P45-RVAN24	Q/H/TT/F	23'	45	0.84	1.68	1.96	3.48	0.61	'C', LI-10				
TURF POP-UP ROTOR HEADS														
⊕	HUNTER I-20-06-PRB-MPR-25	90°/120°/180°/360°	25'	45		1.98		3.82	0.62	'D', LI-10				
⊕	HUNTER I-20-06-PRB-MPR-30	90°/120°/180°/360°	30'	45	1.40	2.96		5.78	0.62	'D', LI-10				
⊕	HUNTER I-20-06-PRB-MPR-35	90°/120°/180°/360°	35'	45		3.81			0.62	'D', LI-10				
⊕	HUNTER I-40-06	8/15	46"-55"	60	9.20	15.7			0.85	'D', LI-10				
⊕	HUNTER I-40-06-ON-15	18	59'	60				15.2	0.46	'D', LI-10				
SHRUB HI-POP ROTOR HEADS														
⊕	HUNTER I-20-12-PRB-MPR-25	90°/120°/180°/360°	25'	45	1.00	1.38	1.98		3.82	0.62	'E', LI-10			
⊕	HUNTER I-20-12-PRB-MPR-30	90°/120°/180°/360°	30'	45	1.40	1.85	2.96		5.78	0.62	'E', LI-10			
⊕	HUNTER I-20-12-PRB-MPR-35	90°/120°/180°/360°	35'	45		2.46	3.81		7.58	0.62	'E', LI-10			
TREE BUBBLERS														
⊕	RAINBIRD RWS-B-C-1401	F		30				0.25	3.00	'F', LI-10	(1)			
⊕	RAINBIRD RWS-B-C-1402	F		30				0.50	6.00	'F', LI-10	(2)			
⊕	GPH GPST2 DRIP EMITTER	F		30				0.10	0.48	'A', LI-10	(3)			
SHRUB DRIP EMITTERS														
⊕	NOT SHOWN	GPH GPST2 DRIP EMITTER	F		30			2.00	0.36	'A', LI-10	(4,5)			

(1) EACH TREE TO RECEIVE (2) BUBBLERS FOR A TOTAL OF 0.50 GPM PER SYMBOL
 (2) EACH TREE TO RECEIVE (2) BUBBLERS FOR A TOTAL OF 1.00 GPM PER SYMBOL
 (3) EACH OAK TREE TO RECEIVE (3) DRIP EMITTERS FOR A TOTAL OF 6 GPH PER SYMBOL. EMITTERS TO BE SPACE EVENLY AROUND TRUNK AT PERIMETER OF ROOT BALL
 (4) FLOW IS IN GALLONS PER HOUR
 (5) EACH SHRUB TO RECEIVE ONE GPST2 EMITTER UNLESS OTHERWISE NOTED BELOW. LOCATE EMITTER ON UPHILL SIDE OF ROOTBALL, 6" CLEAR OF PLANT BASE

DRIP EMITTER ASSIGNMENTS:

PLANTS TO RECEIVE GPST1 EMITTER - ARTEMISIA CALIFORNICA, ATRIPLEX CANASCENS, ENCELIA FARINOSA, ERIOGONUM GIGANTEUM, FALLUGIA PARADOXA, HESPERUYCCA WHIPPLEI, OPUNTIA BASILARIS
 PLANTS TO RECEIVE GPST4 EMITTER - CAREX PRAEGRACILIS, CERCIS OCCIDENTALIS, JUNCUS EFFUSUS, JUNCUS PATENS, LEYMUS CONDENSATUS, MUEHLENBERGIA RIGENS, ROSA CALIFORNICA, SAMBUCUS NIGRA

PIPE SIZING CHART

---	3/4" PIPE
---	1" PIPE
---	1 1/4" PIPE
---	1 1/2" PIPE
---	2" PIPE
---	2 1/2" PIPE
---	3" PIPE
---	4" PIPE
---	6" PIPE
---	8" PIPE

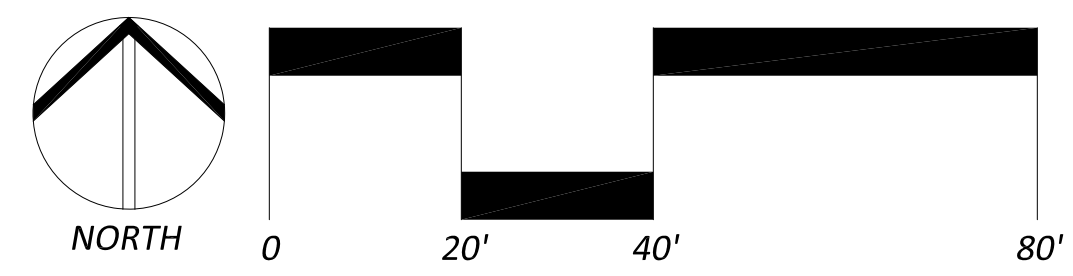
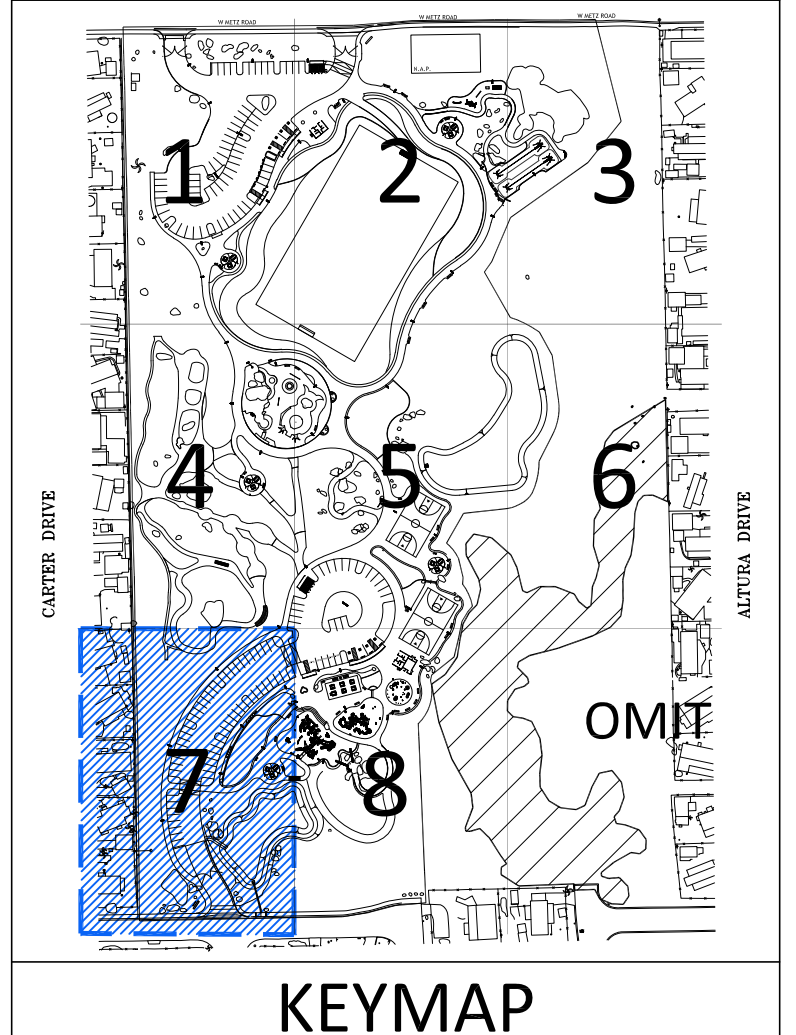
STATION # / CONTROLLER

FLOW (GPM)	VALVE SIZE
---	---

HYDROZONE
 AREA
 IRRIGATION
 TYPE
 PRECIP RATE
 PRESSURE

SCH 40 PVC SLEEVING CHART

1 1/4" SLEEVE	1-4 WIRES	1/2" PIPE
1 1/2" SLEEVE	5-10 WIRES	3/4" PIPE
2" SLEEVE	11-20 WIRES	1" PIPE
2 1/2" SLEEVE	21-30 WIRES	1 1/4" PIPE
3" SLEEVE	31-40 WIRES	1 1/2" PIPE
4" SLEEVE	41-60 WIRES	2" PIPE
6" SLEEVE	61-99 WIRES	2 1/2"-3" PIPE
8" SLEEVE	100+ WIRES	4" PIPE
10" SLEEVE	N/A	6" PIPE

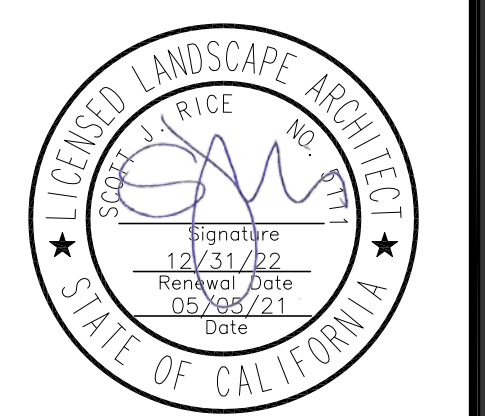


LANDSCAPE ARCHITECTURE
 4649 Brockton Ave.
 Riverside, CA 92506
 Phone: (951) 369-0700
 Fax: (951) 369-4039
 www.cwdg.fun

ENCHANTED HILLS PARK
 1400 WESTON ROAD
 PERRIS, CA 92570

JOB NUMBER: 190633
 DRAWN BY: KCK
 CHECKED BY: DB
 DATE: 05/05/21

REVISIONS:
 1 5-5-21 BID ADDENDUM #1



IRRIGATION PLAN

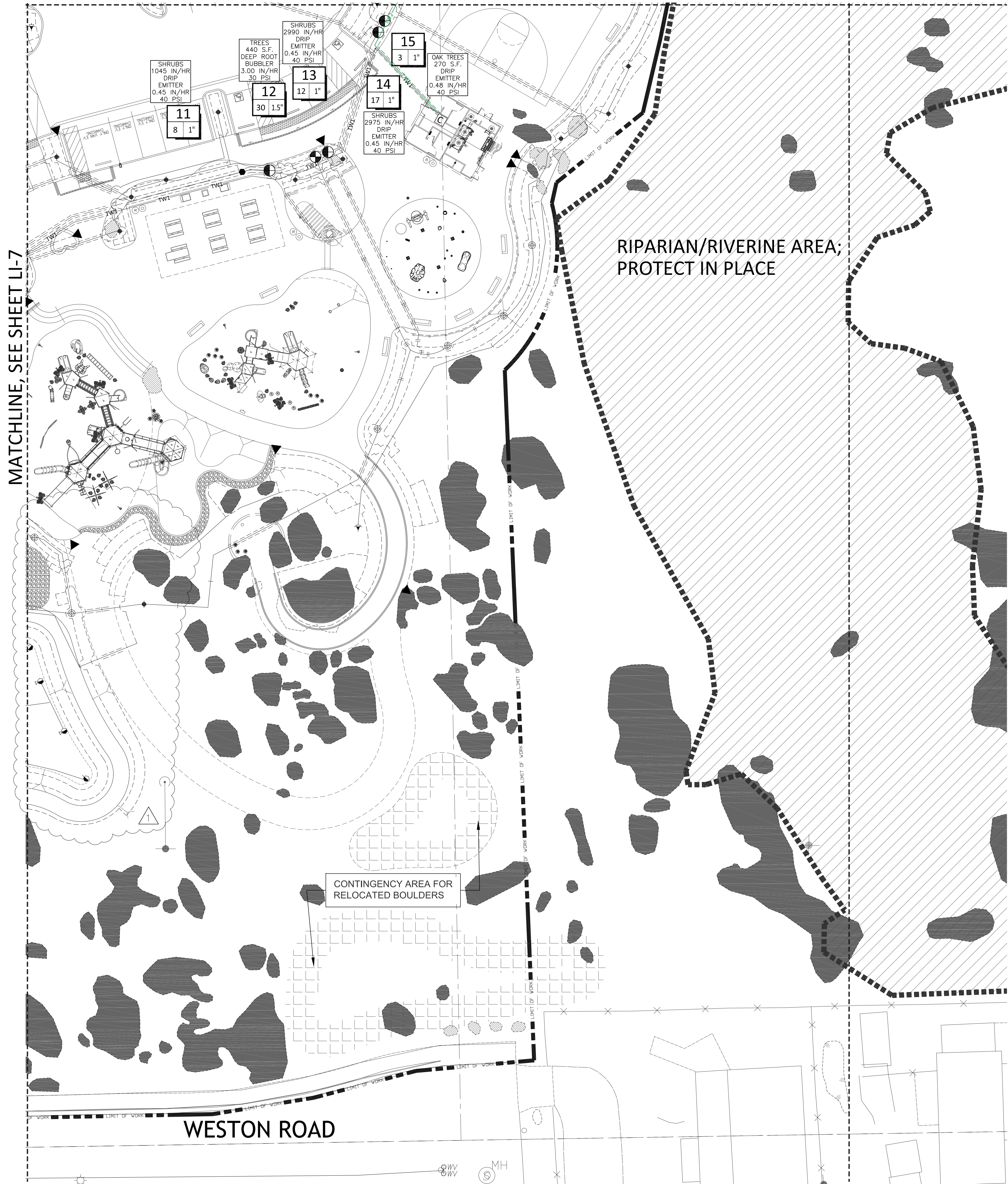
SCALE: 1"=20'

811
 Know what's below.
 Call before you dig.

LI-7

SHEET 51 OF 88

MATCHLINE, SEE SHEET LI-5



RIPARIAN/RIVERINE AREA;
PROTECT IN PLACE

WESTON ROAD

CONTINGENCY AREA FOR
RELOCATED BOULDERS

EQUIPMENT LEGEND

SYMBOL	MANUFACTURER/MODEL #	SIZE	DETAIL	NOTES
M	POTABLE WATER IRRIGATION METER - INSTALL PER EMWD STANDARDS	2"	N/A	-
C	WEATHERTRAK WTRP03-C-H2096-SWM 2-WIRE CONTROLLER BY HYDROPOINT EQUIPPED WITH OPTIFLOW AND PUMP START RELAY	96 STA.	'A', LI-6 'A', LI-9	(1,8)
P	GALE FORCE SERIES P20-GFS-1V-5-100-40-20(3)-B(1)CD(2)F BOOSTER PUMP BY INCONTROL WATER SYSTEMS BID 2020-122. CONNECT TO CONTROLLER	5 HP	'I', LI-10	(1)
⊠	FEBCO 825Y REDUCED PRESSURE BACKFLOW PREVENTER LOCATED IN A STRONG BOX SBBC-455S VANDAL RESISTANT ENCLOSURE	2"	'B', LI-9	(3)
⊕	SUPERIOR 3100RPS PRESSURE REGULATING MASTER VALVE WITH WEATHERTRAK MASTER VALVE DECODER	3"	'C', LI-9	-
⊖	WEATHERTRAK WTFLOWHD-P-300 FLOW SENSOR IN WTFLOWHD-P-INS EQUIPPED WITH FLOW SENSOR DECODER	3"	'K', LI-9	-
⊗	NIBCO P-619 RESILIENT WEDGE GATE VALVE	3"	'D', LI-9	-
●	NELSON 7645 QUICK COUPLING VALVE	1"	'E', LI-9	-
⊙	RAINBIRD EFB-CP-PRS-D REMOTE CONTROL VALVE WITH WEATHERTRAK SINGLE VALVE DECODER	PLAN SIZE	'F', LI-9	(4)
⊚	RAINBIRD XCZ-PRB-COM DRIP CONTROL ZONE ASSEMBLY WITH WEATHERTRAK SINGLE VALVE DECODER	PLAN SIZE	'G', LI-9	(4)
---	CLASS 315 PVC IRRIGATION MAINLINE - 18" MIN. COVER	3"	'H', LI-9 'G', LI-10	-
---	SCH. 40 PVC NON-PRESSURE LATERAL LINE - 12" MIN. COVER	PLAN SIZE	'H', LI-9	-
---	SCH 40 PVC IRRIGATION PIPE / WIRE SLEEVE - 24" MIN. COVER	SEE CHART	'I', LI-9	-
TW1 TW3	REGENCY WIRE 12/2 MAXI CABLE COMMUNICATIONS CABLE	N/A	'J', LI-9	-
Ⓢ	TWO WIRE PATH SPLICE WITH PAIGE CABLE DCSD	1"	'D', LI-6	-
▼	SALCO SLV-AFV-075 AUTOMATIC FLUSH VALVE	PLAN SIZE	'L', LI-9	-
---	SCH. 40 PVC POINT TO POINT DRIP DISTRIBUTION PIPE - 6" MIN. COVER	3/4"	'A', LI-9 'A&H', LI-10	(2)

(1) LANDSCAPE CONTRACTOR TO COORDINATE ELECTRICAL POWER W/ ELECTRICAL CONTRACTOR
 (2) EACH SHRUB TO RECEIVE ONE GPST2 EMITTER UNLESS OTHERWISE NOTED BELOW. LOCATE EMITTER ON UPHILL SIDE OF ROOTBALL, 6" CLEAR OF PLANT BASE
 (3) DRIP DISTRIBUTION LAYOUT IS DIAGRAMMATIC ONLY. CONTRACTOR TO ADJUST LAYOUT TO SUPPLY DRIP EMITTERS TO ALL INDICATED PLANT MATERIAL
 (4) TWO VALVE DECODERS TO BE USED AT VALVE GROUPINGS WHEREVER POSSIBLE
 (5) INSTALL SURGE ARRESTORS AT 600' O.C. ALONG 2-WIRE PATH PER MFG'S SPECS. GROUND PER MFG'S SPECS

SPRINKLER LEGEND

SYMBOL	MANUFACTURER/MODEL #	NOZZLE	RAD.	PSI	FLOW (GPM)							PRECIP RATE	DETAIL	NOTES
					Q	T	H	TT	TQ	F	Von			
SHRUB HI-POP SPRAY HEADS														
⊕	RAINBIRD 1806-SAM-P45-RVAN14	Q/H/TT/F	14'	45	0.32	0.63	0.73	1.27	0.61	'C', LI-10				
⊕	RAINBIRD 1806-SAM-P45-RVAN18	Q/H/TT/F	17'	45	0.50	1.01	1.17	1.85	0.61	'C', LI-10				
⊕	RAINBIRD 1806-SAM-P45-RVAN24	Q/H/TT/F	23'	45	0.84	1.68	1.96	3.48	0.61	'C', LI-10				
TURF POP-UP ROTOR HEADS														
⊕	HUNTER I-20-06-PRB-MPR-25	90°/120°/180°/360°	25'	45			1.98		3.82	0.62	'D', LI-10			
⊕	HUNTER I-20-06-PRB-MPR-30	90°/120°/180°/360°	30'	45	1.40	2.96			5.78	0.62	'D', LI-10			
⊕	HUNTER I-20-06-PRB-MPR-35	90°/120°/180°/360°	35'	45			3.81			0.62	'D', LI-10			
⊕	HUNTER I-40-06	8/15	46'-55'	60	9.20	15.7				0.85	'D', LI-10			
⊕	HUNTER I-40-06-ON-15	18	59'	60					15.2	0.46	'D', LI-10			
SHRUB HI-POP ROTOR HEADS														
⊕	HUNTER I-20-12-PRB-MPR-25	90°/120°/180°/360°	25'	45	1.00	1.38	1.98		3.82	0.62	'E', LI-10			
⊕	HUNTER I-20-12-PRB-MPR-30	90°/120°/180°/360°	30'	45	1.40	1.85	2.96		5.78	0.62	'E', LI-10			
⊕	HUNTER I-20-12-PRB-MPR-35	90°/120°/180°/360°	35'	45		2.46	3.81		7.58	0.62	'E', LI-10			
TREE BUBBLERS														
⊕	RAINBIRD RWS-B-C-1401	F		30					0.25	3.00	'F', LI-10	(1)		
⊕	RAINBIRD RWS-B-C-1402	F		30					0.50	6.00	'F', LI-10	(2)		
▼	GPH GPST2 DRIP EMITTER	F		30					0.10	0.48	'A', LI-10	(3)		
SHRUB DRIP EMITTERS														
NOT SHOWN	GPH GPST2 DRIP EMITTER	F		30					2.00	0.36	'A', LI-10	(4,5)		

(1) EACH TREE TO RECEIVE (2) BUBBLERS FOR A TOTAL OF 0.50 GPM PER SYMBOL
 (2) EACH TREE TO RECEIVE (2) BUBBLERS FOR A TOTAL OF 1.00 GPM PER SYMBOL
 (3) EACH OAK TREE TO RECEIVE (3) DRIP EMITTERS FOR A TOTAL OF 6 GPH PER SYMBOL. EMITTERS TO BE SPACE EVENLY AROUND TRUCK AT PERIMETER OF ROOT BALL
 (4) FLOW IS IN GALLONS PER HOUR
 (5) EACH SHRUB TO RECEIVE ONE GPST2 EMITTER UNLESS OTHERWISE NOTED BELOW. LOCATE EMITTER ON UPHILL SIDE OF ROOTBALL, 6" CLEAR OF PLANT BASE

DRIP EMITTER ASSIGNMENTS:
 PLANTS TO RECEIVE GPST1 EMITTER - ARTEMISIA CALIFORNICA, ATRIPLEX CANASCENS, ENCELIA FARINOSA, ERIOGONUM GIGANTEUM, FALLUGIA PARADOXA, HESPERUYOCCA WHIPPLEI, OPUNTIA BASILARIS
 PLANTS TO RECEIVE GPST4 EMITTER - CAREX PRAEGRACILIS, CERCIS OCCIDENTALIS, JUNCUS EFFUSUS, JUNCUS PATENS, LEYMUS CONDENSATUS, MUEHLENBERGIA RIGENS, ROSA CALIFORNICA, SAMBUCUS NIGRA

PIPE SIZING CHART

---	3/4" PIPE
---	1" PIPE
---	1 1/4" PIPE
---	1 1/2" PIPE
---	2" PIPE
---	2 1/2" PIPE
---	3" PIPE
---	4" PIPE
---	6" PIPE
---	8" PIPE

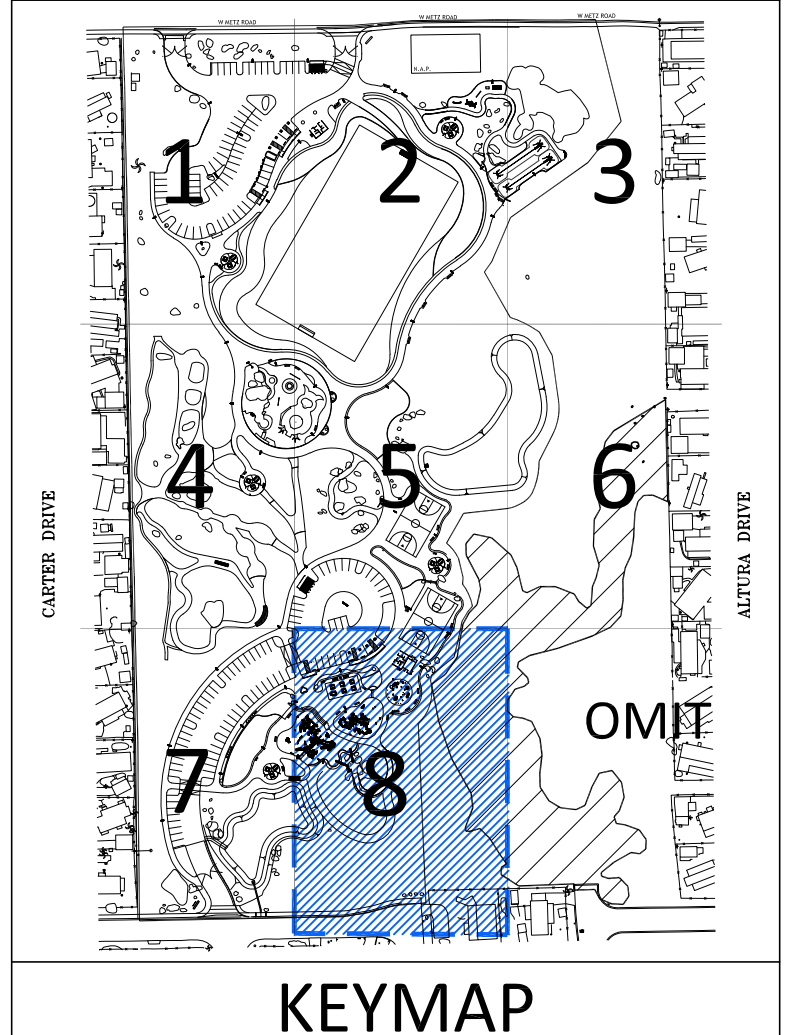
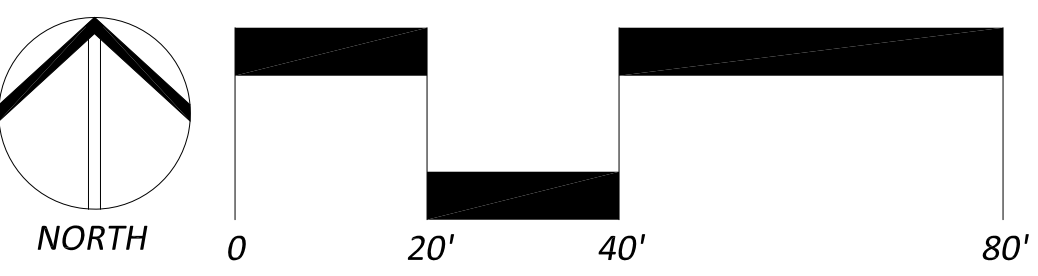
STATION # / CONTROLLER

FLOW (GPM)	VALVE SIZE
------------	------------

HYDROZONE
 AREA
 IRRIGATION
 TYPE
 PRECIP RATE
 PRESSURE

SCH 40 PVC SLEEVING CHART

1 1/4" SLEEVE	1-4 WIRES	1/2" PIPE
1 1/2" SLEEVE	5-10 WIRES	3/4" PIPE
2" SLEEVE	11-20 WIRES	1" PIPE
2 1/2" SLEEVE	21-30 WIRES	1 1/4" PIPE
3" SLEEVE	31-40 WIRES	1 1/2" PIPE
4" SLEEVE	41-60 WIRES	2" PIPE
6" SLEEVE	61-99 WIRES	2 1/2"-3" PIPE
8" SLEEVE	100+ WIRES	4" PIPE
10" SLEEVE	N/A	6" PIPE

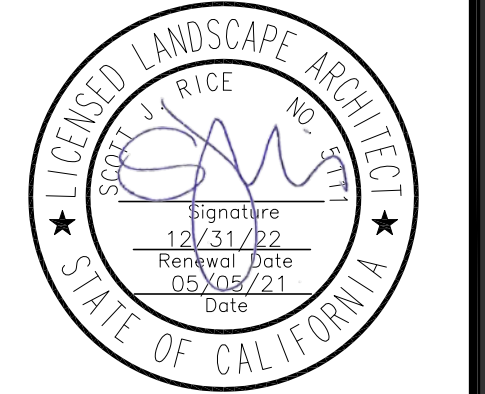


LANDSCAPE ARCHITECTURE
 4649 Brockton Ave.
 Riverside, CA 92506
 Phone: (951) 369-0700
 Fax: (951) 369-4039
 www.cwdg.fun

ENCHANTED HILLS PARK
 1400 WESTON ROAD
 PERRIS, CA 92570

JOB NUMBER: 190633
 DRAWN BY: KCK
 CHECKED BY: DB
 DATE: 05/05/21

REVISIONS:
 1 5-5-21 BID ADDENDUM #1



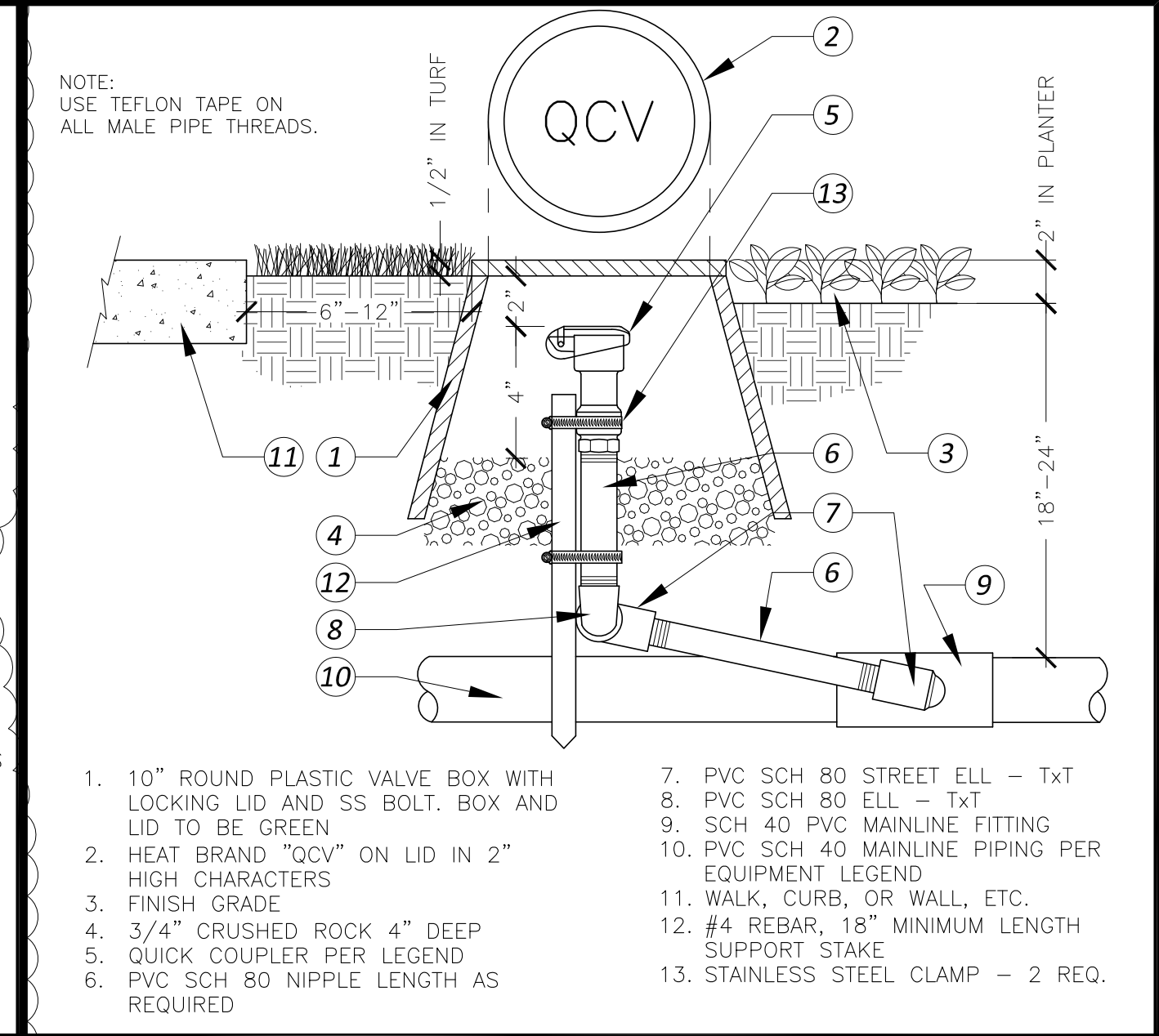
IRRIGATION PLAN

SCALE: 1"=20'

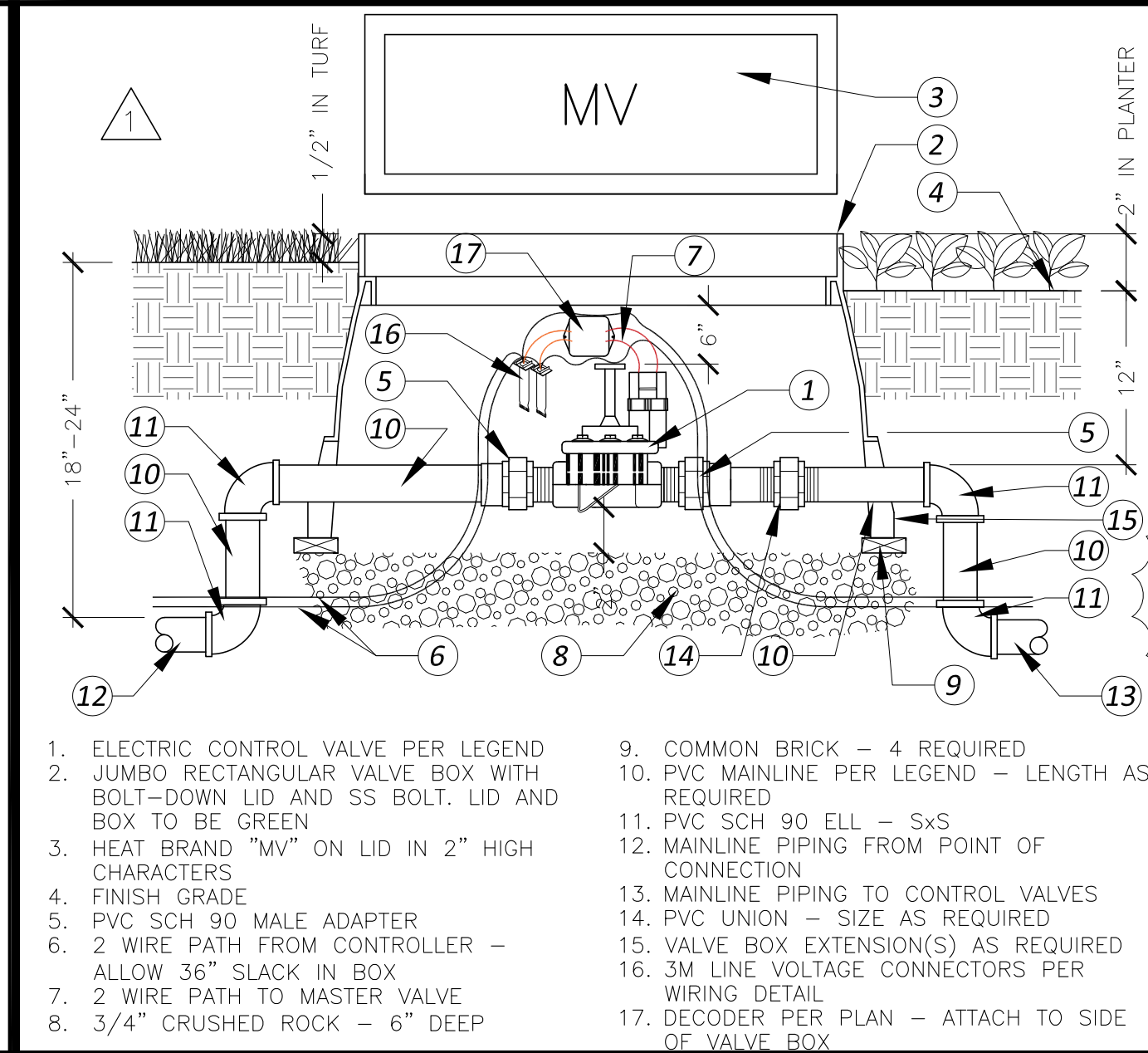


LI-8

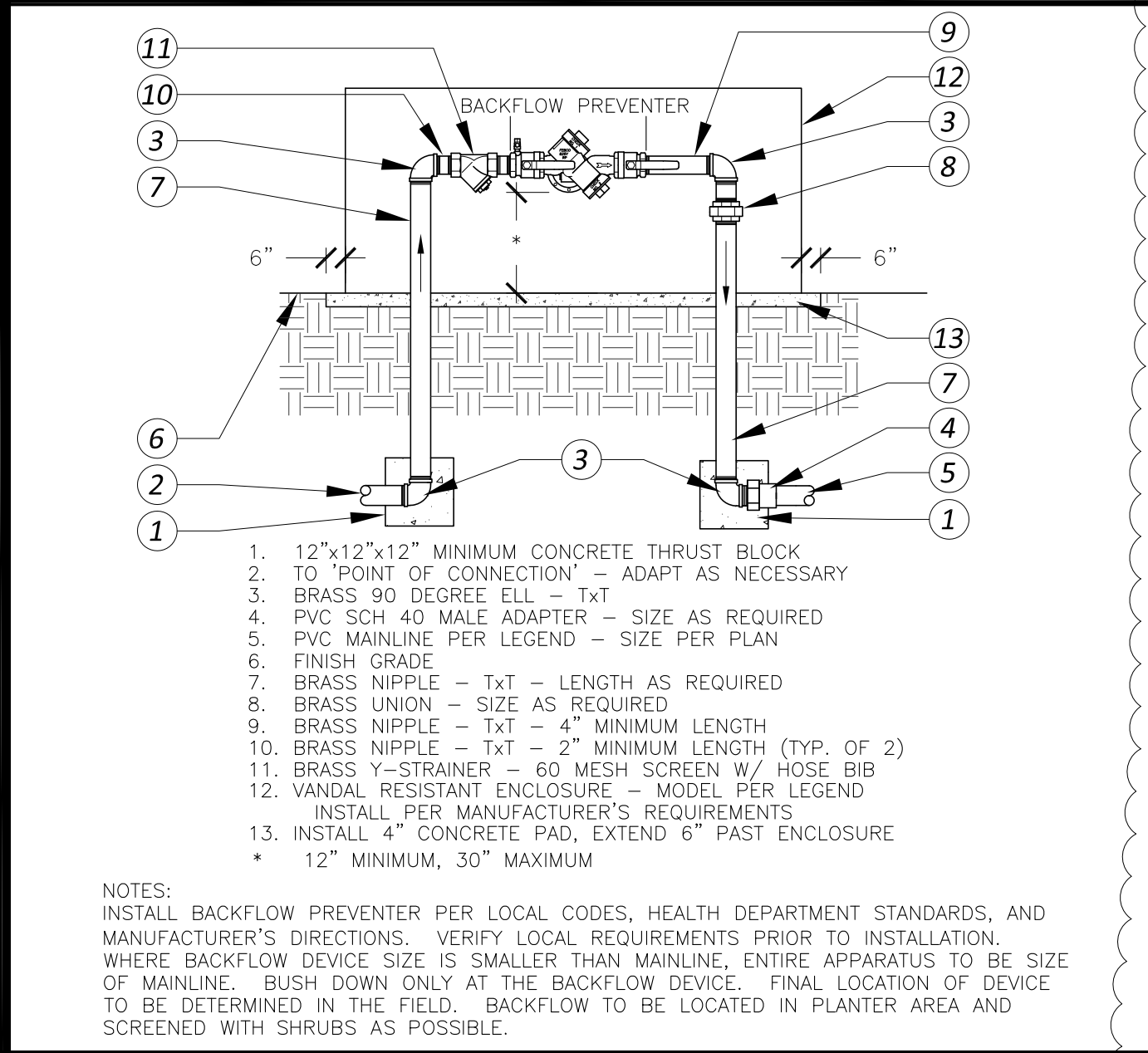
SHEET 52 OF 88



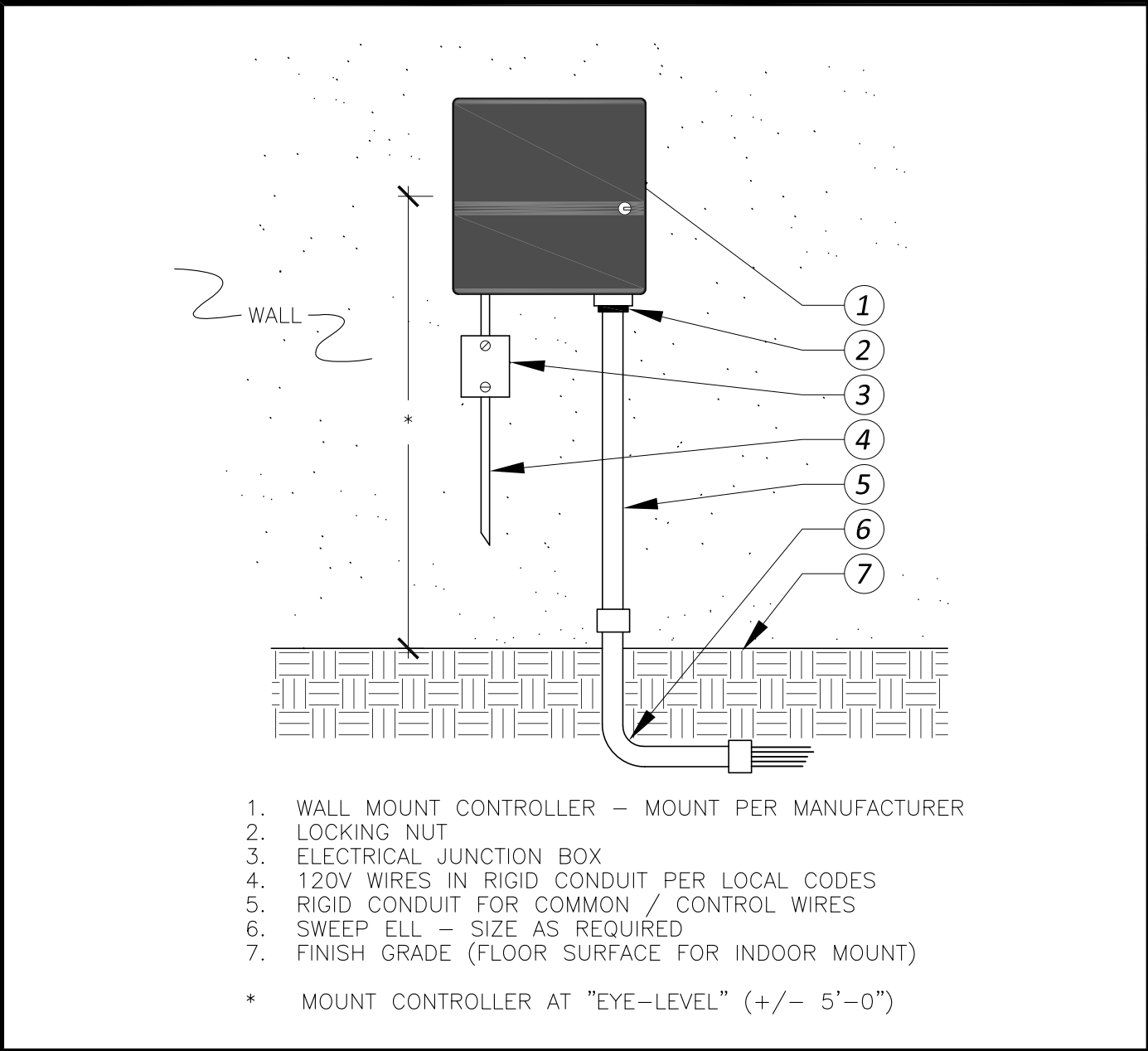
D Quick Coupler Valve



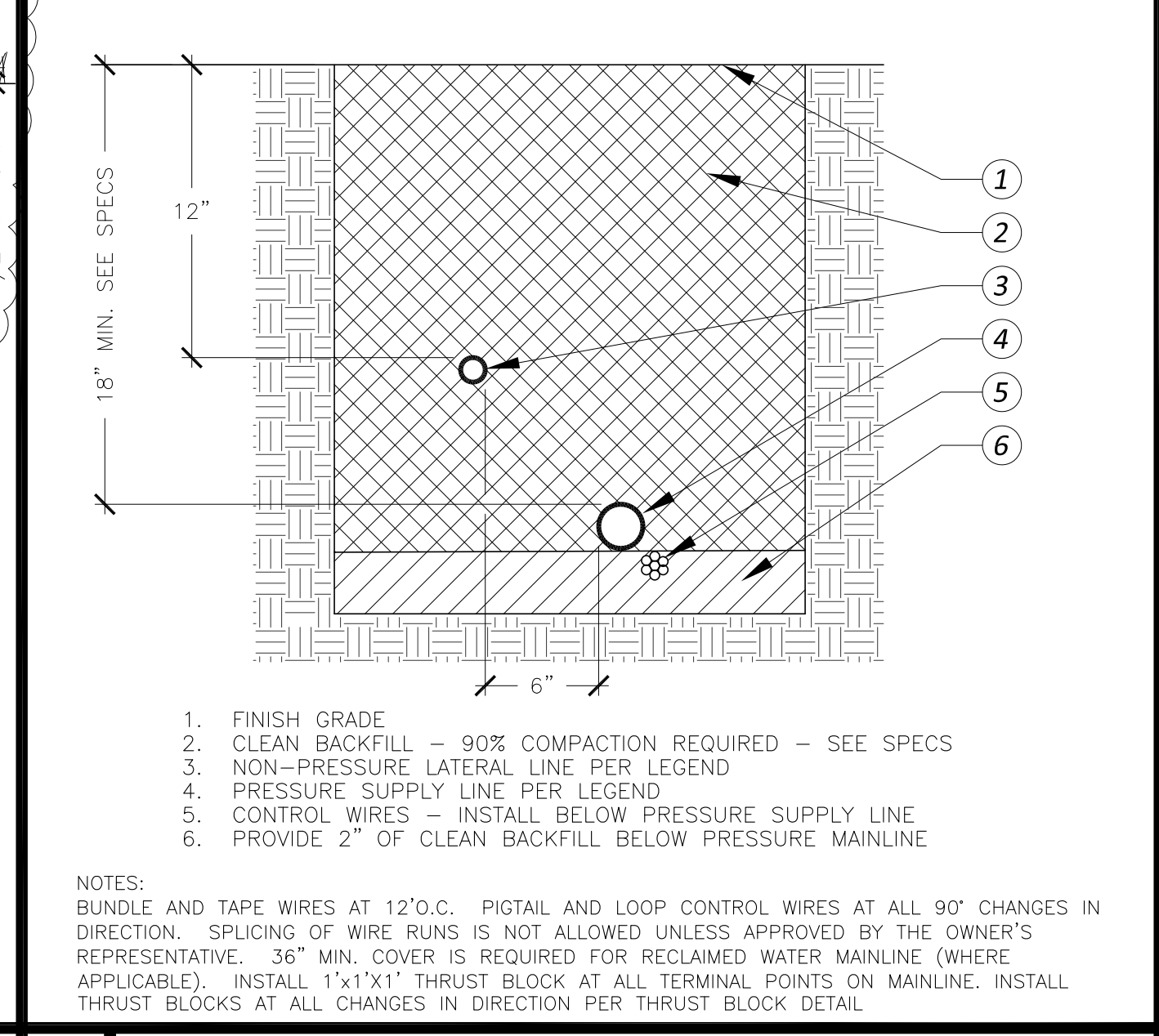
C Master Valve



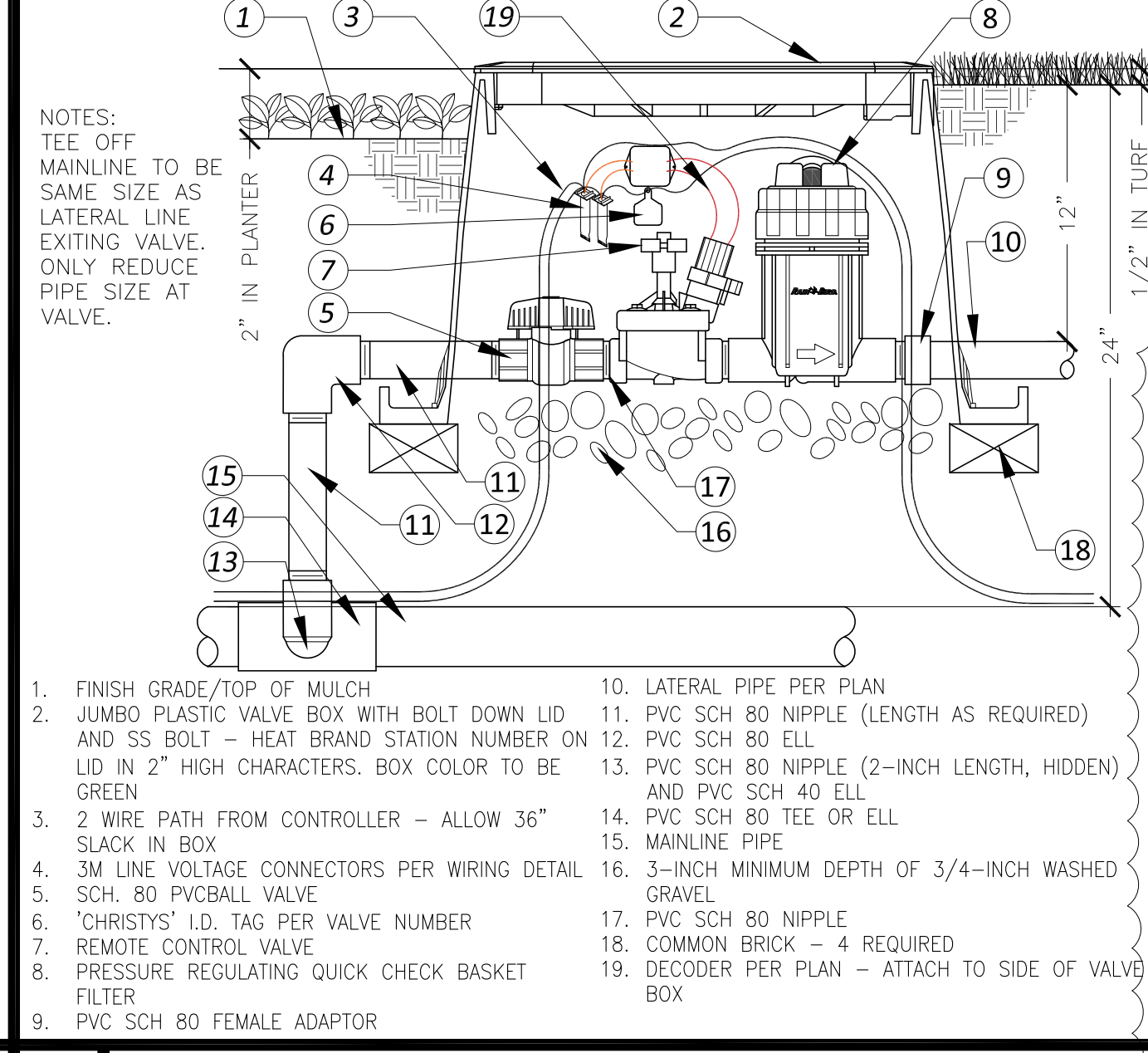
B Backflow Preventer



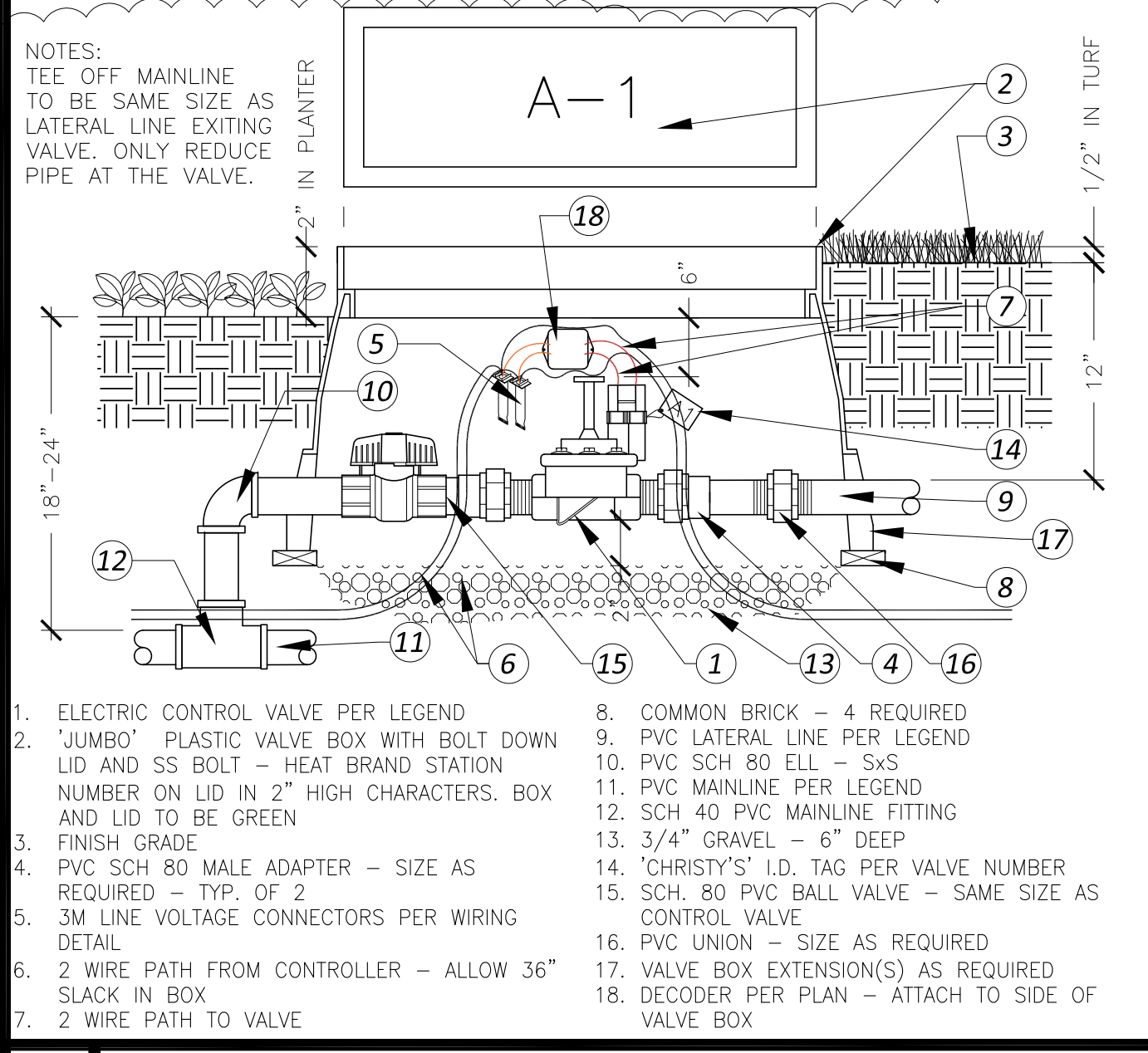
A Controller



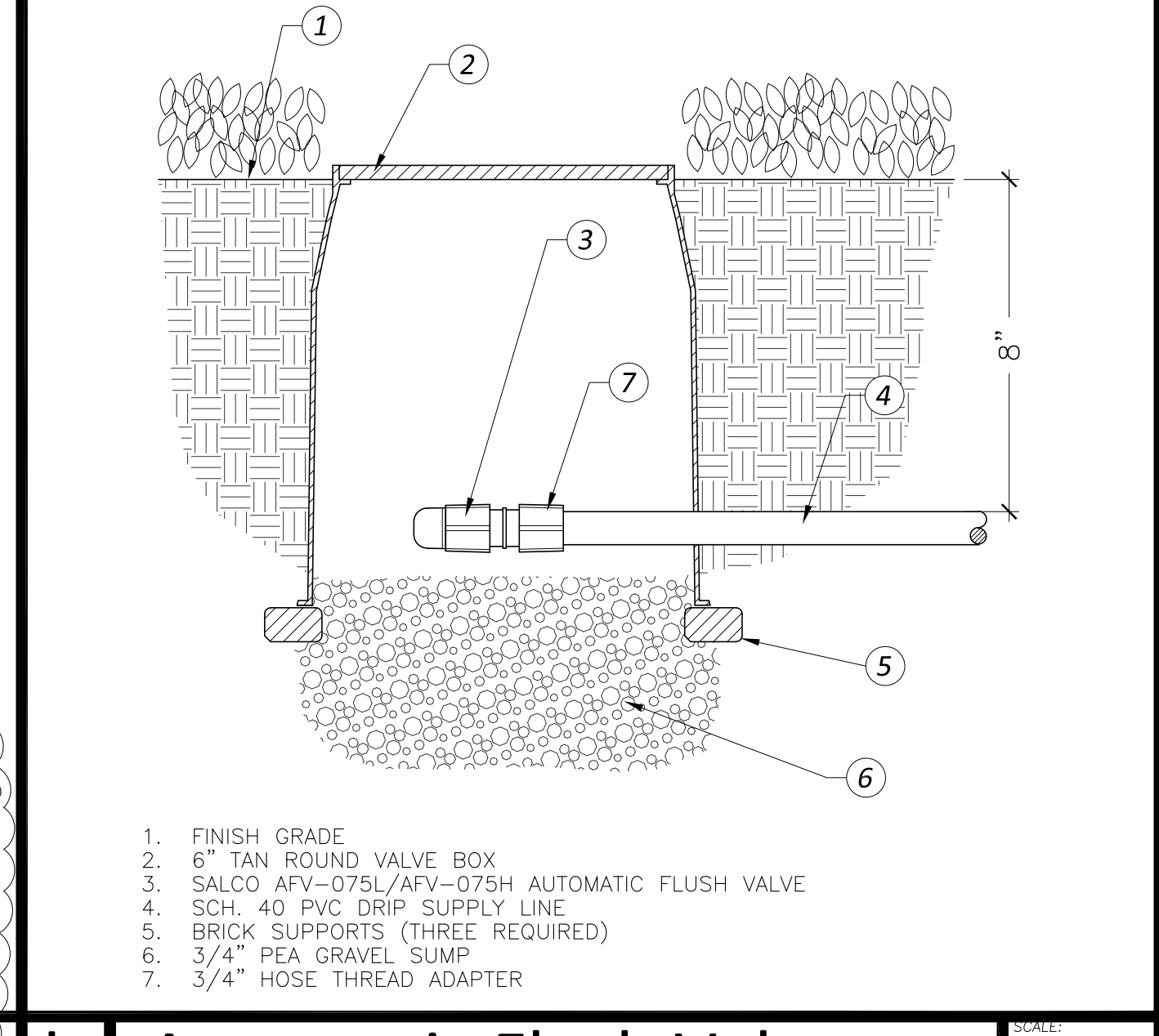
H Trenching



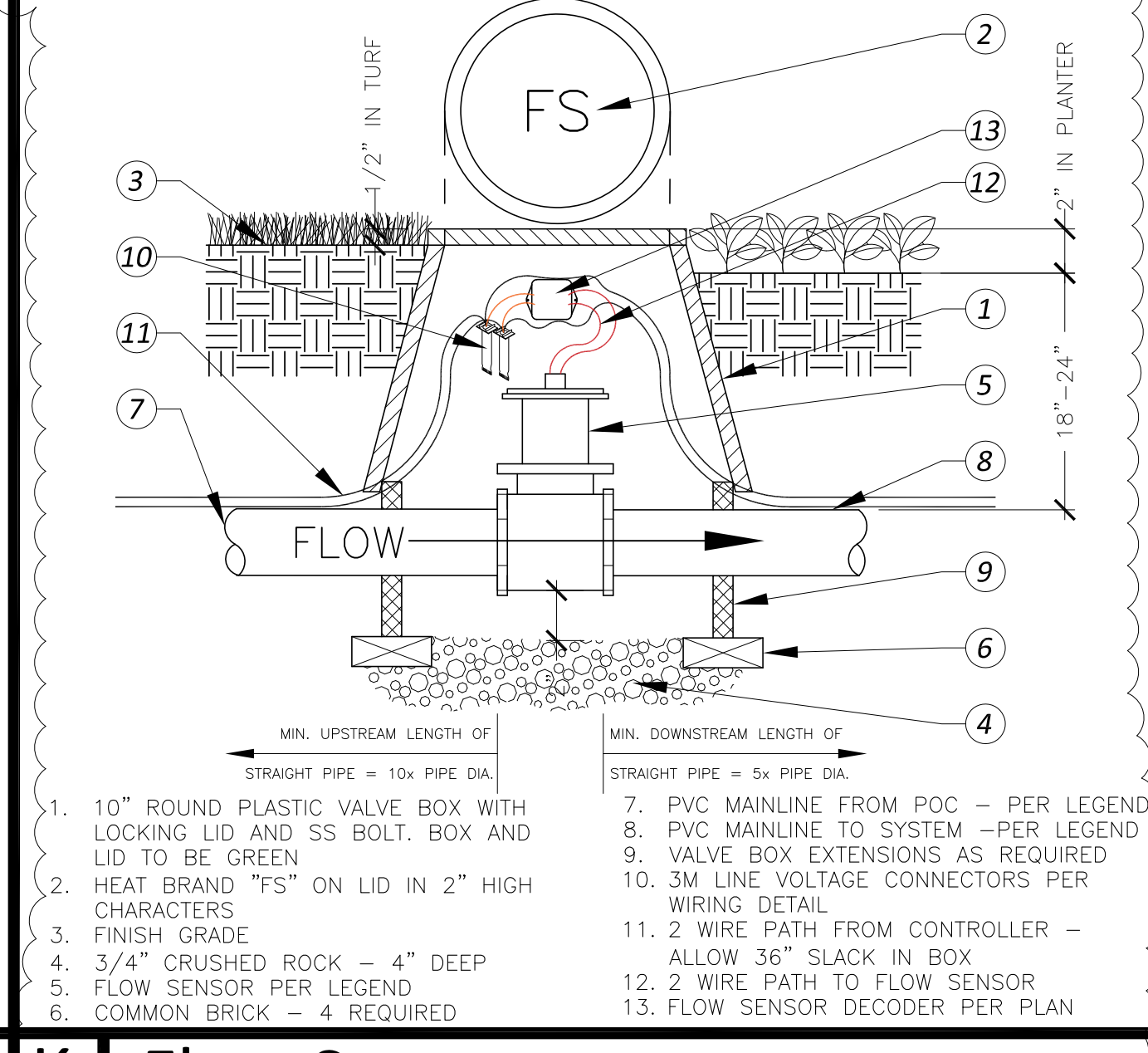
G Drip Control Valve Assembly



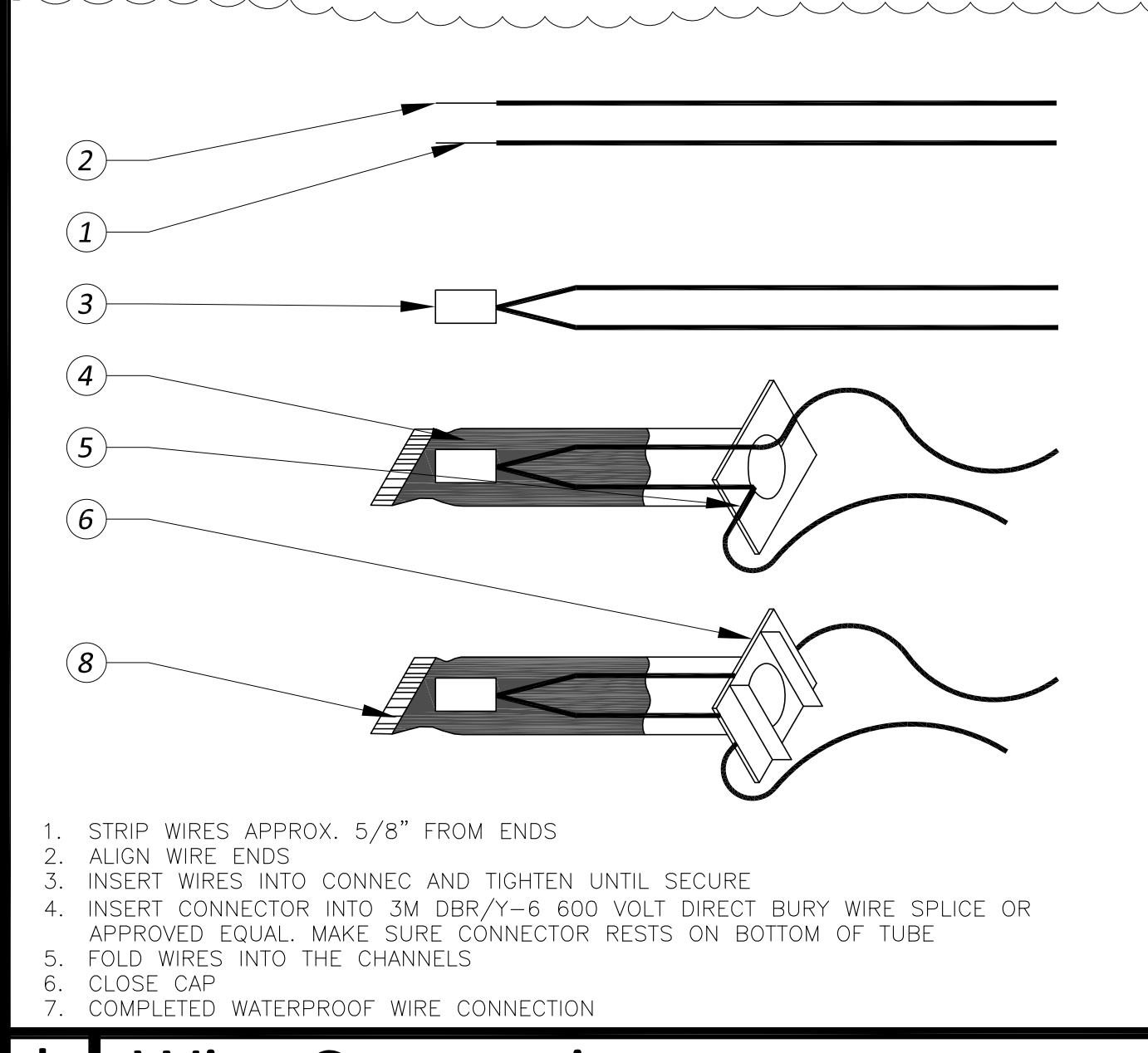
F Remote Control Valve



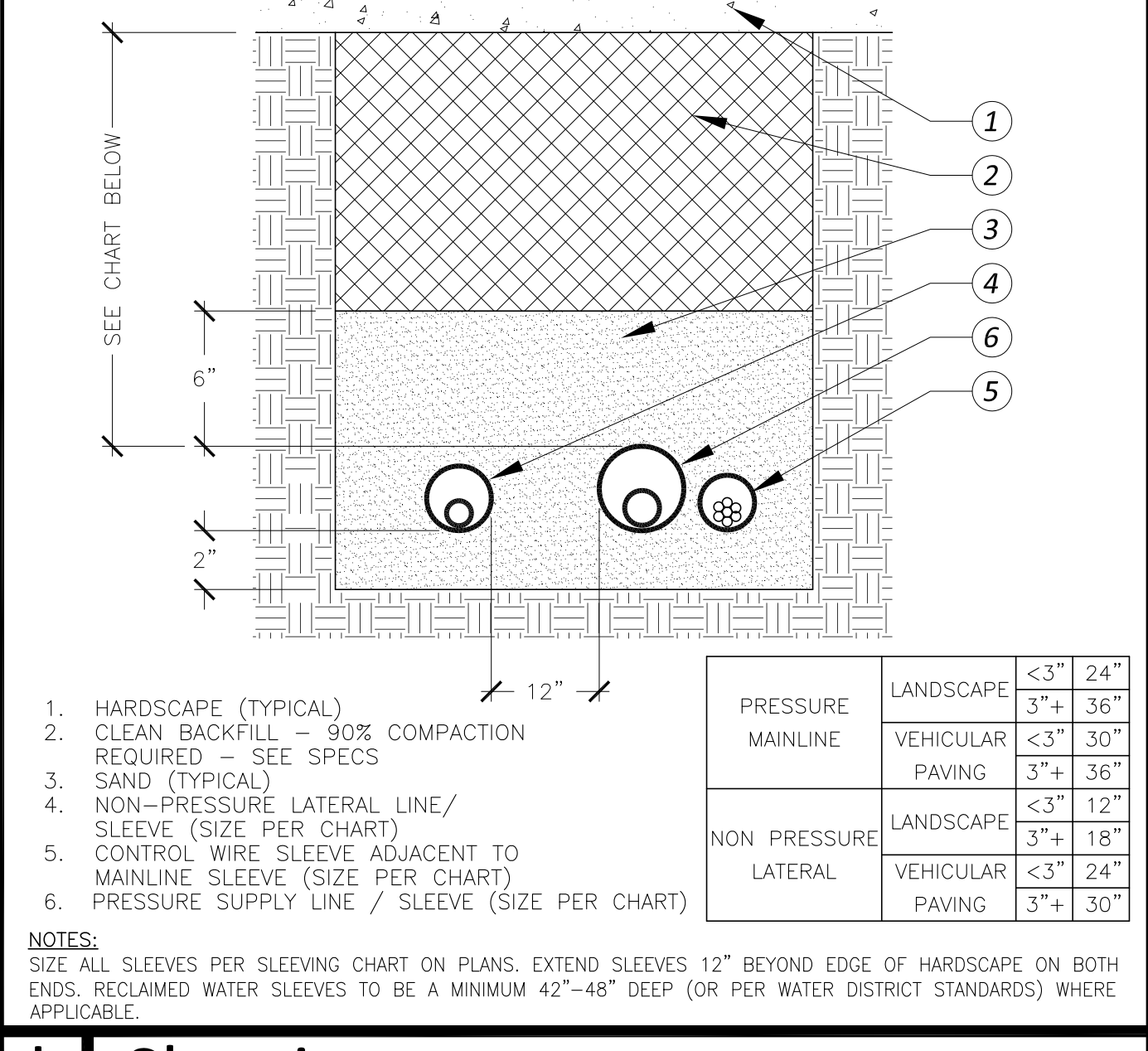
L Automatic Flush Valve



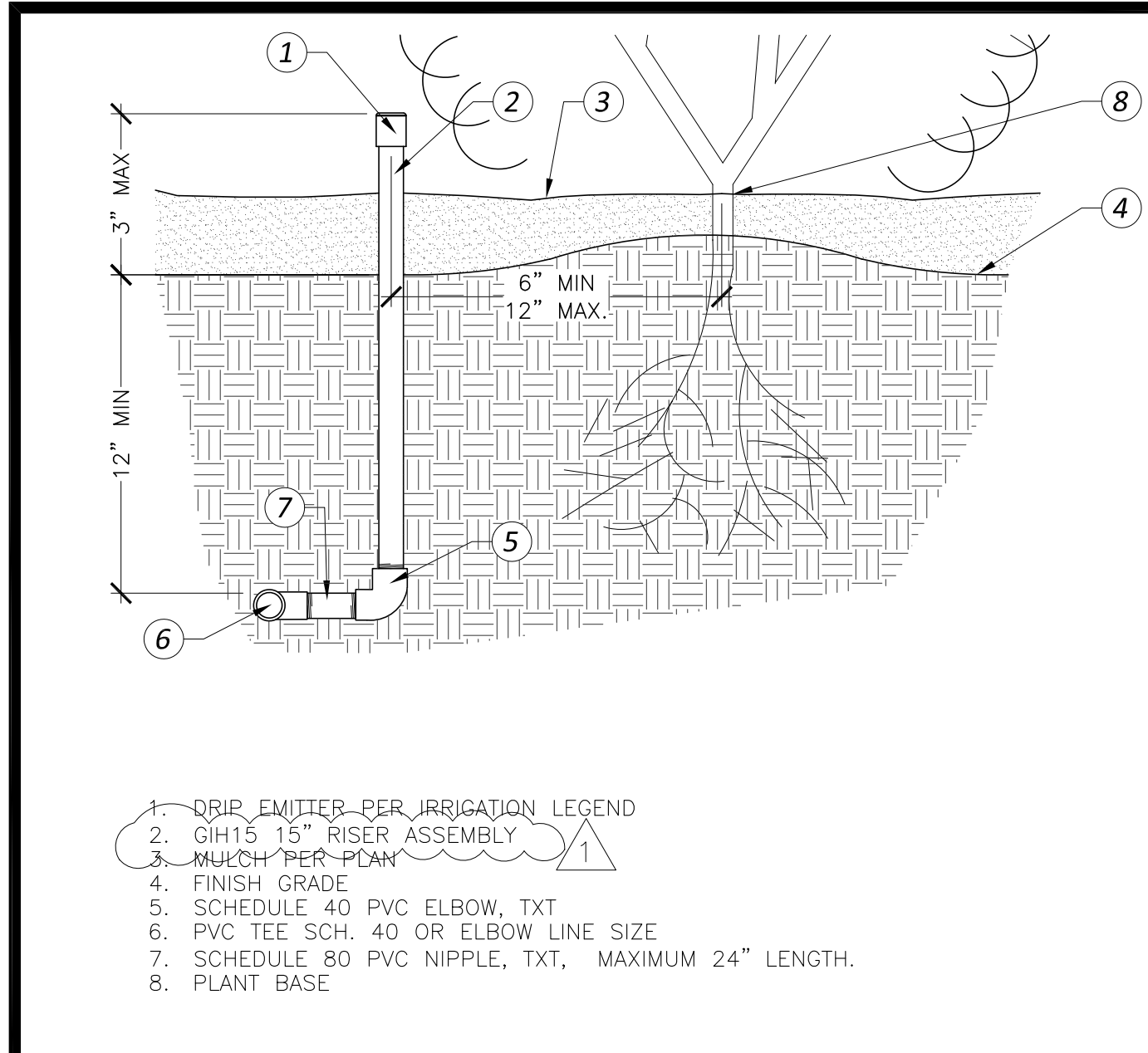
K Flow Sensor



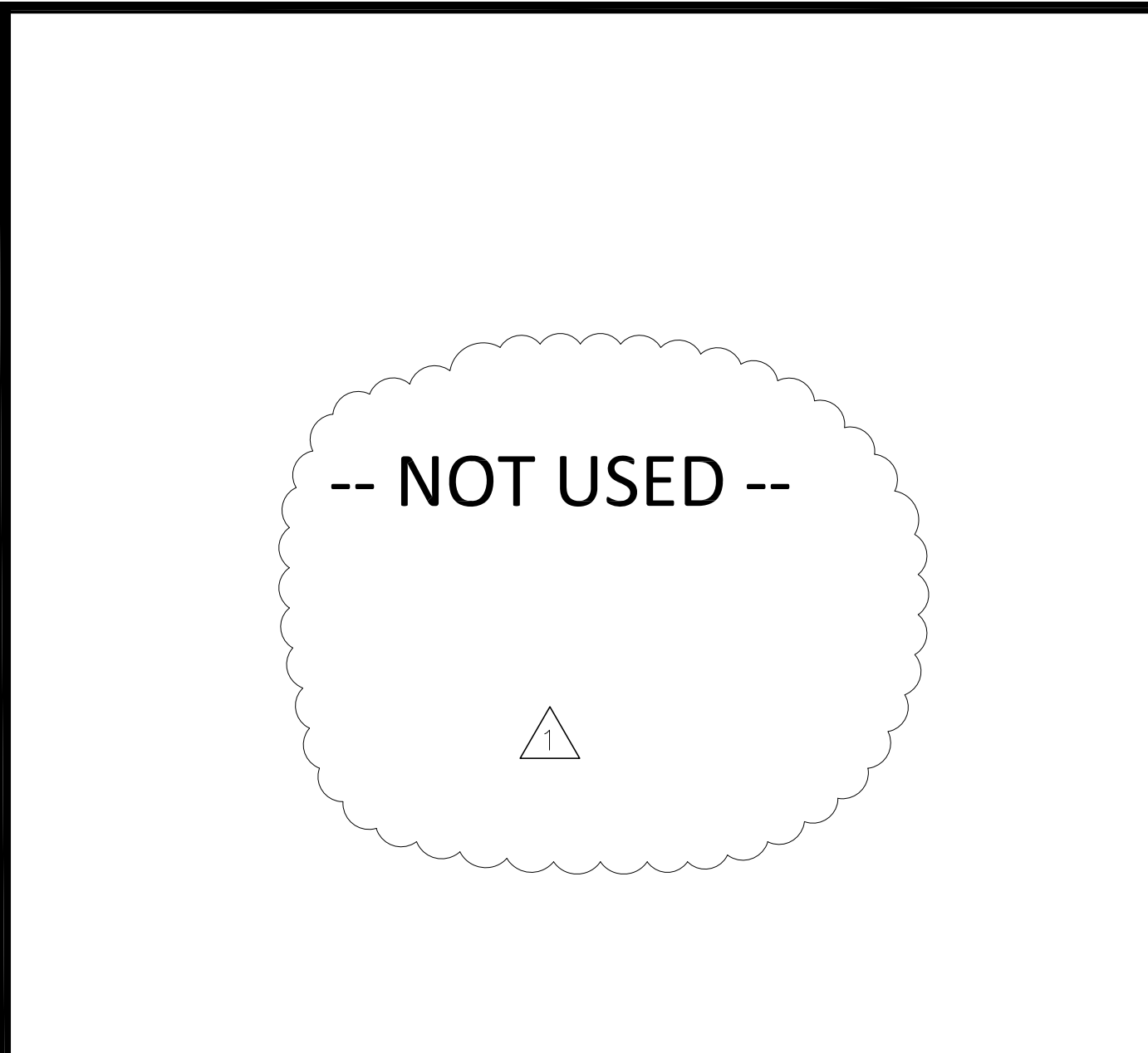
J Wire Connections



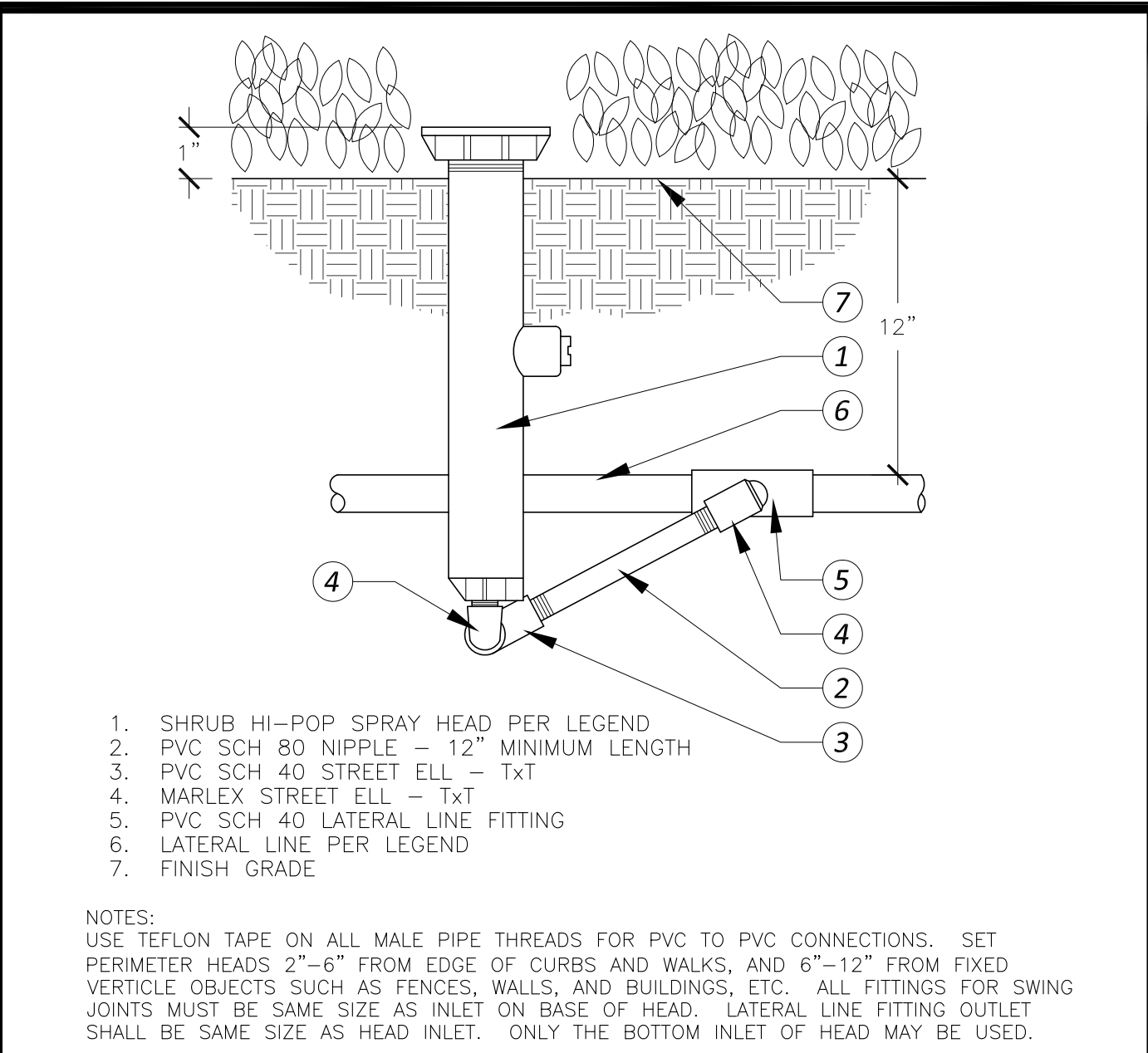
I Sleeving



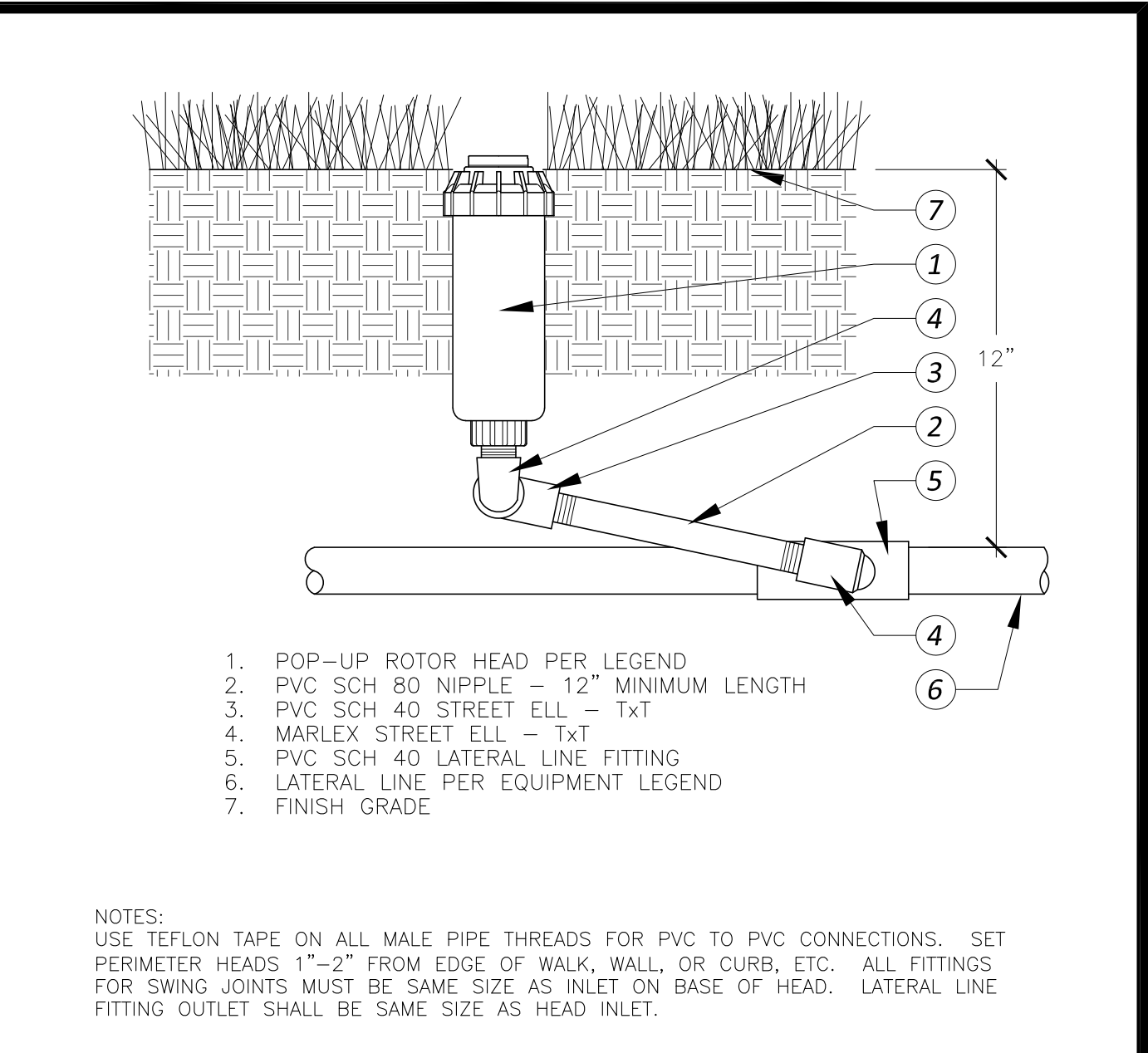
A Drip Emitter



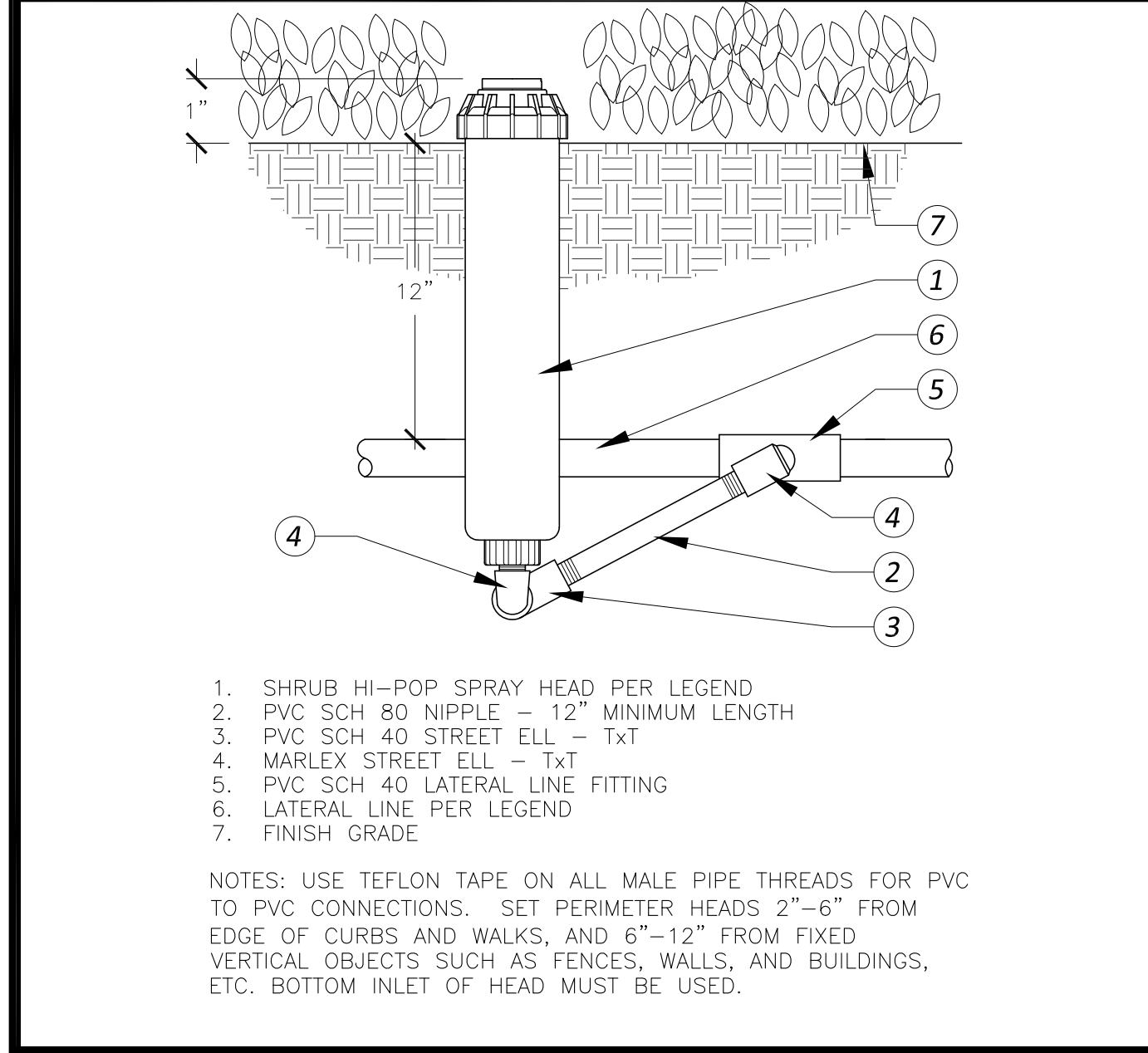
B



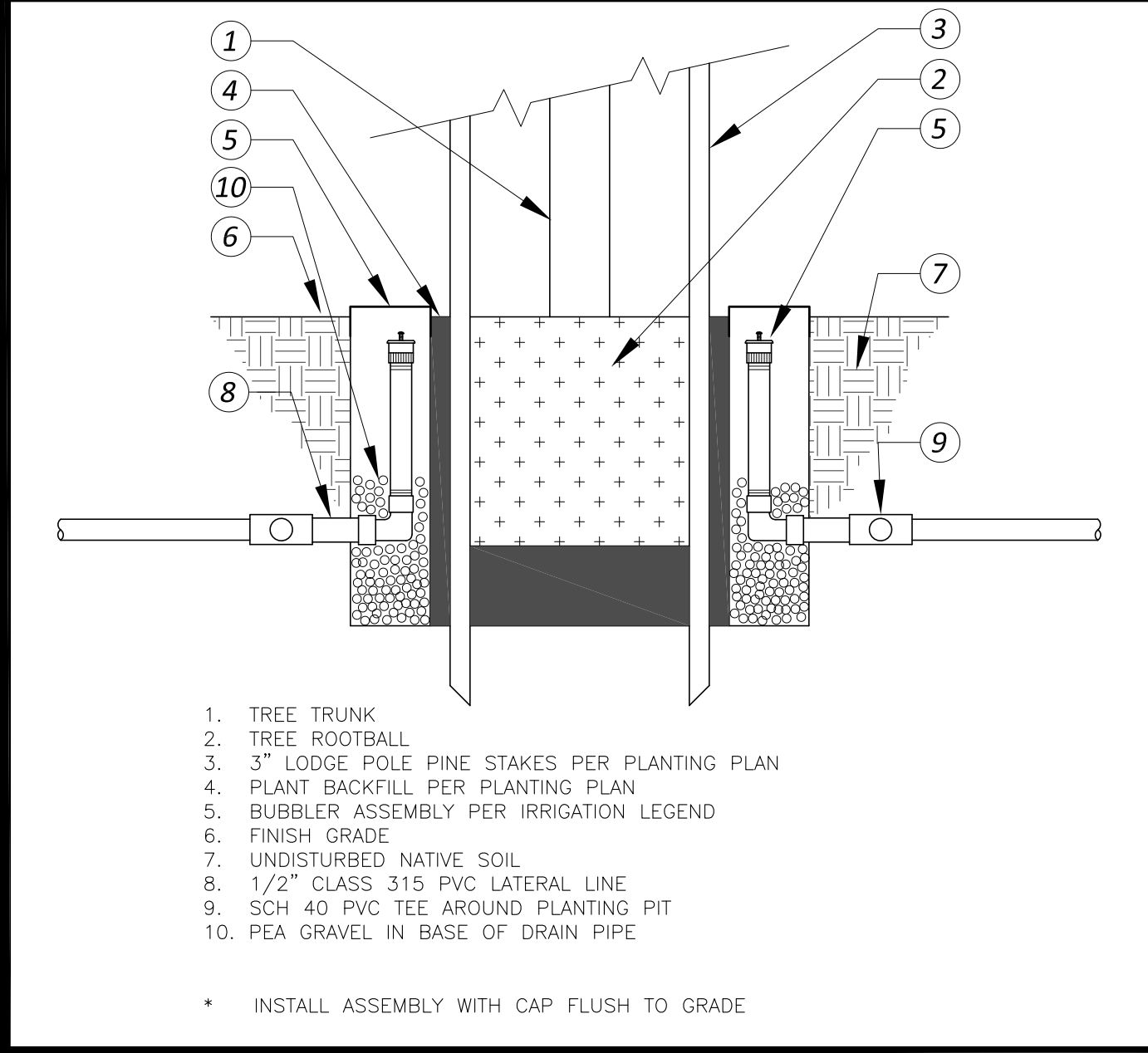
C Hi-Pop Spray Head



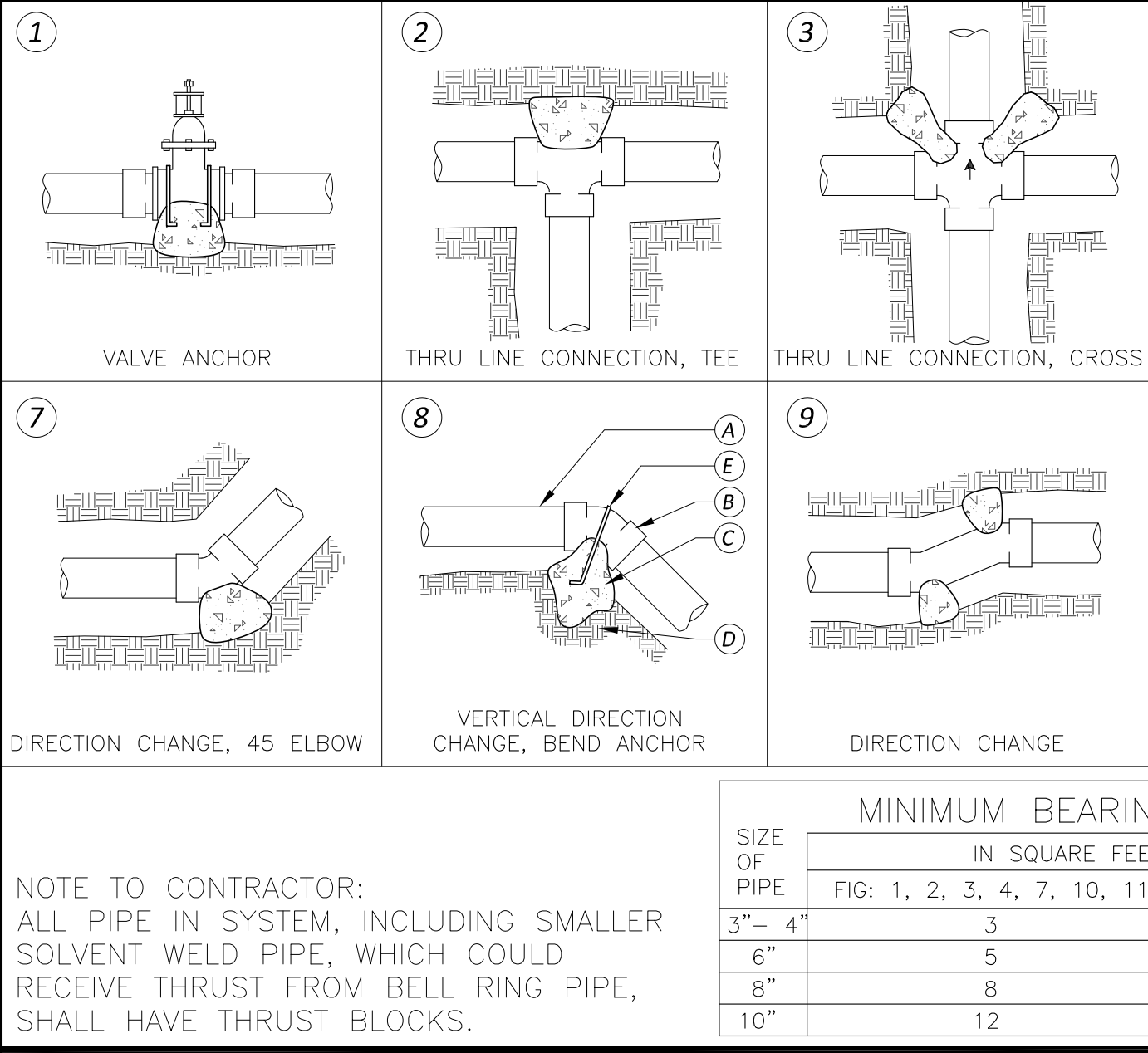
D Turf Rotor Head



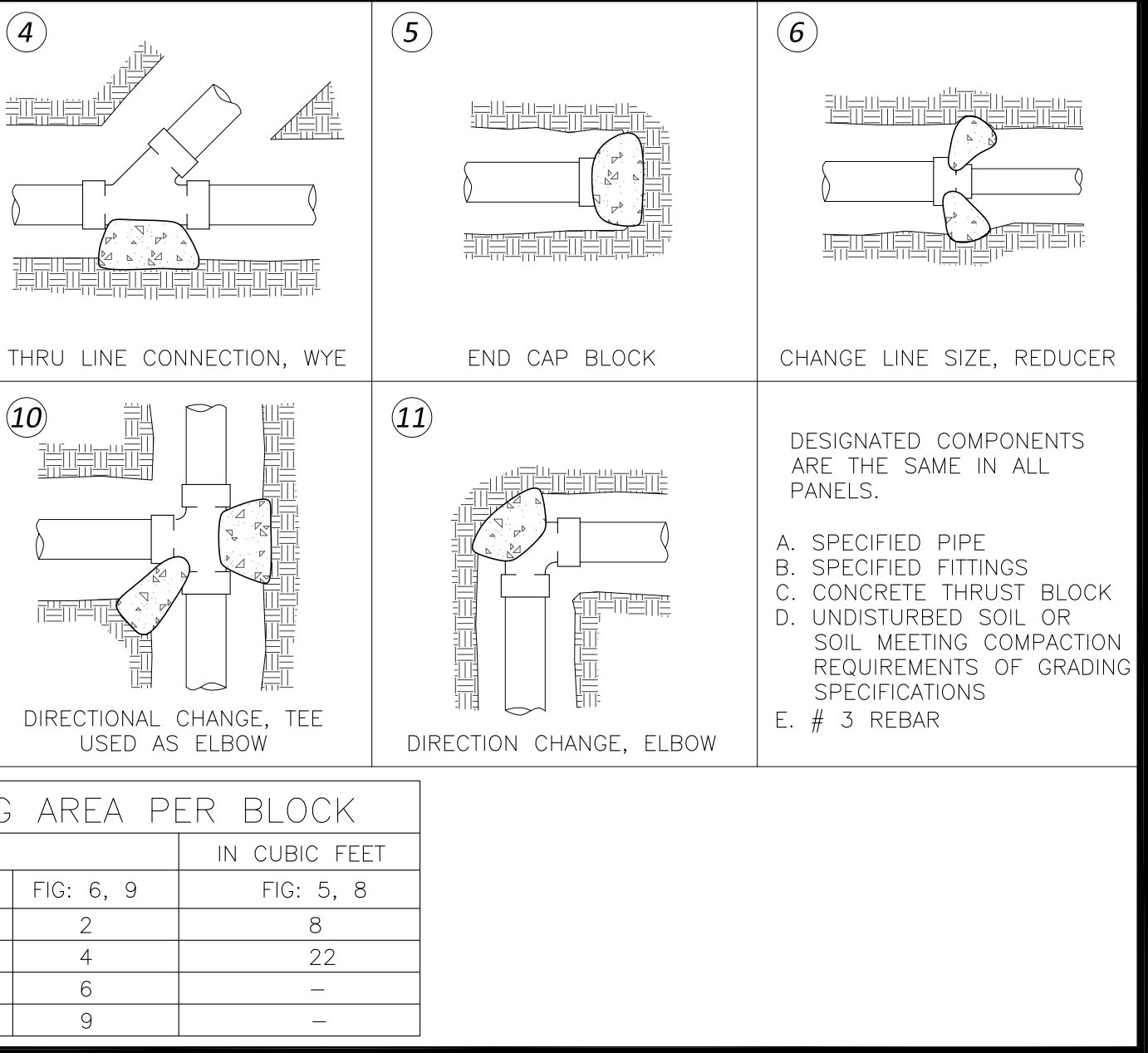
E Shrub Rotor Head



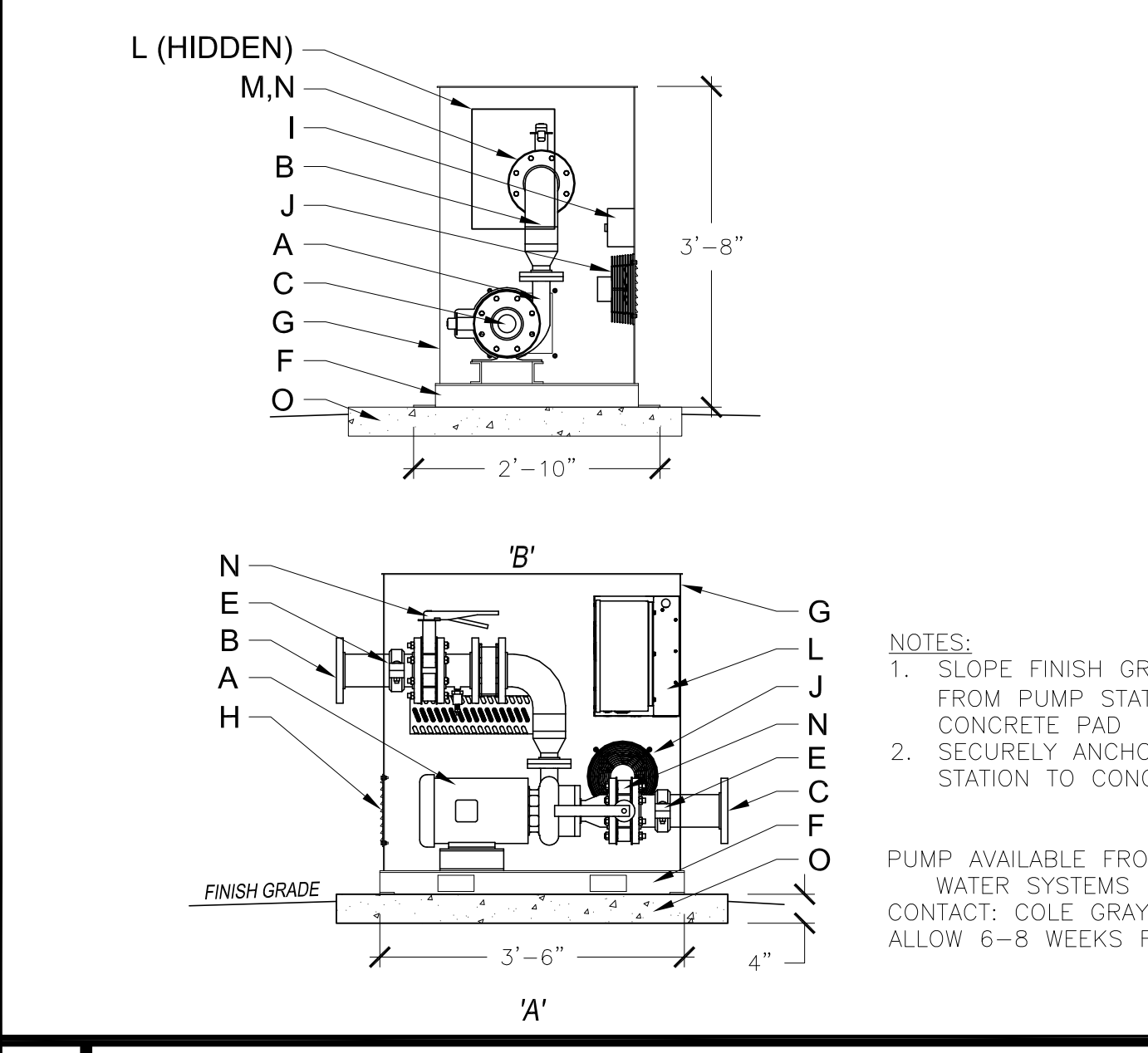
F Tree Bubbler Heads



G Thrust Blocks



H Shrub Drip Emmitter Layout



I Irrigation Pump

INCON-TROL WATER SYSTEMS: GALE FORCE SERIES

- A. CLOSE COUPLED PUMP/MOTOR
- B. DISCHARGE PLUMBING - STEEL PIPE
- C. SUCTION PLUMBING - STEEL PIPE
- D. PRESSURE TRANSDUCER
- E. GRUVLOK STEEL COUPLING
- F. STEEL PUMP SKID - DIRECT TO METAL CORROSION RESISTANT PAINT
- G. ALUMINUM ENCLOSURE (INSULATED)
- H. VENT COVERS
- I. HEATER
- J. FAN
- K. DISCONNECT SWITCH
- L. VARIABLE FREQUENCY DRIVE
- M. CHECK VALVE
- N. BUTTERFLY VALVE
- O. CONCRETE PAD

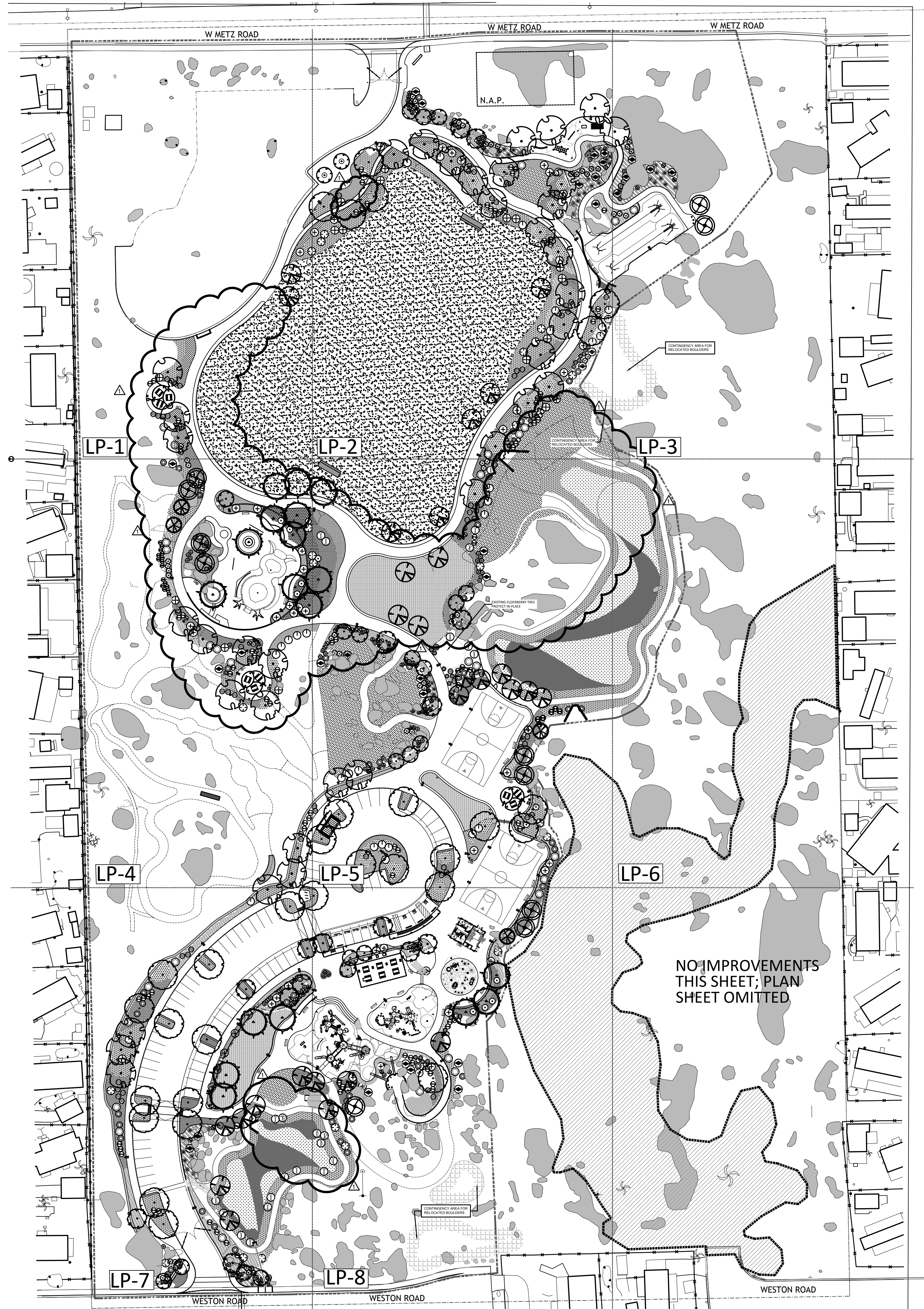
NOTES:
1. SLOPE FINISH GRADE AWAY FROM PUMP STATION / CONCRETE PAD
2. SECURELY ANCHOR PUMP STATION TO CONCRETE PAD

PUMP AVAILABLE FROM: INCONTROL WATER SYSTEMS 214-733-8828
CONTACT: COLE GRAY
ALLOW 6-8 WEEKS FOR DELIVERY

inCon-trol
www.incontrolwatersystems.com
(924) 733-8828 • (924) 544-9555
410 Interchange • Willsie, TX 76781

LI-10

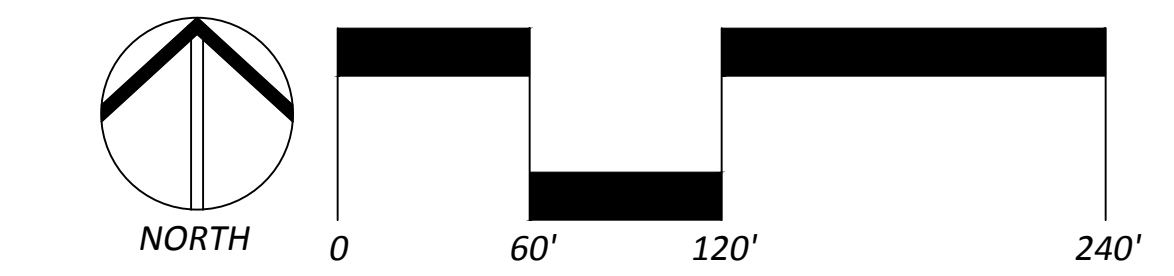
May 05, 2021 - 3:05pm luke_morris C:\Users\Luke_Morris\AppData\Local\Temp\AcPublish_14988\Planting_Base_Bid.dwg



PLANTING LEGEND:

TREES	BOTANICAL NAME	COMMON NAME	SIZE / SPACING	QTY.	WUCOLS	DETAIL	K _i
	<i>Chilopsis linearis</i> 'Bubba'	DESERT WILLOW 'BUBBA'	24" BOX (MULTI)	22	LOW	'A', LP-9	0.2
	<i>Parkinsonia</i> 'Desert Museum'	DESERT MUSEUM PALO VERDE	24" BOX (MULTI)	15	LOW	'A', LP-9	0.2
	<i>Platanus racemosa</i>	CALIFORNIA SYCAMORE	24" BOX (STD.)	18	MOD	'A', LP-9	0.5
	<i>Populus fremontii</i>	WESTERN COTTONWOOD	24" BOX (STD.)	28	MOD	'A', LP-9	0.5
	<i>Prunus ilicifolia</i>	HOLLY-LEAF CHERRY	15 GAL (STD.)	4	LOW	'A', LP-9	0.2
	<i>Quercus agrifolia</i>	COAST LIVE OAK	36" BOX (STD.)	38	LOW	'A', LP-9	0.2
	<i>Quercus engelmannii</i>	ENGELMANN'S OAK	24" BOX (STD.)	30	LOW	'A', LP-9	0.2
	<i>Sambucus nigra ssp. caerulea</i>	BLUE ELDERBERRY	15 GAL (MULTI)	11	LOW	'A', LP-9	0.2
SHRUBS / VINES							
	<i>Abutilon palmeri</i>	PALMER'S INDIAN MALLOW	1 GAL.	42	LOW	'C', LP-9	0.2
	<i>Agave shawii</i>	COASTAL AGAVE	1 GAL.	35	LOW	'C', LP-9	0.2
	<i>Atriplex canescens</i>	FOUR WING SALT BUSH	1 GAL.	16	V. LOW	'C', LP-9	0.1
	<i>Calliandra californica</i>	BAJA FAIRY DUSTER	1 GAL.	40	LOW	'C', LP-9	0.2
	<i>Cercis occidentalis</i>	WESTERN REDBUD	15 GAL	51	LOW	'C', LP-9	0.2
	<i>Encelia farinosa</i>	BRITTLEBUSH	1 GAL	36	V. LOW	'C', LP-9	0.1
	<i>Eriogonum giganteum</i>	ST. CATHERINES LACE	1 GAL	95	V. LOW	'C', LP-9	0.1
	<i>Fallugia paradoxa</i>	APACHE PLUME	1 GAL	60	V. LOW	'C', LP-9	0.1
	<i>Forestiera pubescens</i>	DESERT OLIVE	5 GAL	31	LOW	'C', LP-9	0.2
	<i>Hesperoyucca whipplei</i>	CHAPARRAL YUCCA	1 GAL.	15	LOW	'C', LP-9	0.2
	<i>Heteromeles arbutifolia</i>	TOYON	15 GAL	17	LOW	'C', LP-9	0.2
	<i>Isomeris arborea</i>	BLADDERPOD	5 GAL	86	V. LOW	'C', LP-9	0.1
	<i>Malacothamnus fasciculatus</i>	BUSH MALLOW	1 GAL.	58	LOW	'C', LP-9	0.2
	<i>Opuntia basilaris</i>	BEAVERTAIL PRICKLYPEAR	1 GAL	19	V. LOW	'C', LP-9	0.1
	<i>Prunus ilicifolia</i>	HOLLY-LEAF CHERRY	5 GAL.	21	LOW	'C', LP-9	0.2
	<i>Rhamnus californica</i>	CALIFORNIA COFFEEBERRY	5 GAL	37	LOW	'C', LP-9	0.2
	<i>Rhus ovata</i>	SUGAR BUSH	5 GAL.	30	LOW	'C', LP-9	0.2
	<i>Rosa californica</i>	CALIFORNIA WILD ROSE	5 GAL.	16	LOW	'C', LP-9	0.2
	<i>Salvia apiana</i>	WHITE SAGE	1 GAL.	11	LOW	'C', LP-9	0.2
	<i>Sambucus nigra ssp. caerulea</i>	BLUE ELDERBERRY	5 GAL.	23	MOD	'C', LP-9	0.5
	<i>Sphaeralcea ambigua</i>	'LOUIS HAMILTON'	1 GAL	59	LOW	'C', LP-9	0.2
	<i>'Louis Hamilton'</i>	DESERT GLOBE MALLOW	1 GAL	59	LOW	'C', LP-9	0.2
GROUNDCOVERS							
	<i>Achillea millefolium</i>	COMMON YARROW	1 GAL. @ 24" O.C.	851	LOW	'D', LP-9	0.2
	<i>Aristida purpurea</i>	PURPLE THREE AWN	1 GAL. @ 24" O.C.	776	LOW	'D', LP-9	0.2
	<i>Artemisia californica</i> 'Canyon Grey'	CANYON GREY SAGEBRUSH	1 GAL. @ 60" O.C.	300	LOW	'D', LP-9	0.2
	<i>Baccharis pilularis</i> 'Pigeon Point'	PIGEON POINT COYOTE BRUSH	1 GAL. @ 72" O.C.	873	LOW	'D', LP-9	0.2
	<i>Carex praegracilis</i>	CLUSTERED FIELD SEDGE	1 GAL. @ 72" O.C.	294	MOD	'D', LP-9	0.5
	<i>Carex praegracilis</i>	CLUSTERED FIELD SEDGE	1 GAL. @ 36" O.C.	530	MOD	'D', LP-9	0.5
	<i>Eriogonum fasciculatum</i>	CALIFORNIA BUCKWHEAT	1 GAL @ 36" O.C.	994	LOW	'D', LP-9	0.2
	<i>Juncus effusus</i>	SOFT RUSH	1 GAL. @ 72" O.C.	447	MOD	'D', LP-9	0.5
	<i>Juncus patens</i> 'Elk Blue'	ELK BLUE CA. GRAY RUSH	1 GAL. @ 36" O.C.	277	MOD	'D', LP-9	0.5
	<i>Leymus condensatus</i> 'Canyon Prince'	CANYON PRINCE RYE GRASS	1 GAL. @ 36" O.C.	401	MOD	'D', LP-9	0.5
	<i>Muhlenbergia rigens</i>	DEER GRASS	1 GAL. @ 48" O.C.	433	MOD	'D', LP-9	0.5
	<i>Salvia x bee's bliss</i>	BEE'S BLISS SAGE	1 GAL. @ 60" O.C.	136	LOW	'D', LP-9	0.2
	CALIFORNIA NATIVE WILDFLOWER SEED MIX AVAILABLE FROM S&S SEEDS (805) 684-0436		20. LBS SEED PER ACRE	19,157 S.F.	LOW	'D', LP-9	0.2
	STOLONIZED BANDERA BERMUDA AVAILABLE FROM WEST COAST TURF			85,090 S.F.	HIGH	'D', LP-9	0.7
	BANDERA BERMUDA SOD AVAILABLE FROM WEST COAST TURF			13,328 S.F.	HIGH	'D', LP-9	0.7
	INORGANIC MULCH AREA 3/4" APACHE SUNSET CRUSHED STONE AVAILABLE FROM SOUTHWEST BOULDER & STONE		2" DEEP	5,840 S.F.			
	EXISTING BOULDERS						

- NOTES:**
- ALL TREES/ SHRUBS/ GROUNDCOVERS ARE NATIVE TO SOUTHERN CALIFORNIA. ANY REQUESTED SUBSTITUTIONS MADE DUE TO AVAILABILITY SHALL BE SOUTHERN CALIFORNIA NATIVE SPECIES TO BE PRIOR APPROVED BY LANDSCAPE ARCHITECT.
 - ALL TREES WITHIN 8' OF HARDSCAPE TO RECEIVE ROOTBARRIER SEE DETAIL 'B' SHEET LP-9
 - ALL PLANTER AREAS TO RECEIVE A 3" MINIMUM DEPTH LAYER OF FOREST FLOOR MULCH OR EQUAL. AVAILABLE FROM AGUINAGA GREEN (714) 283-2572. UNLESS OTHERWISE NOTED
 - PLANT WATER USE VALUES ARE PER WUCOLS IV PLANT LIST



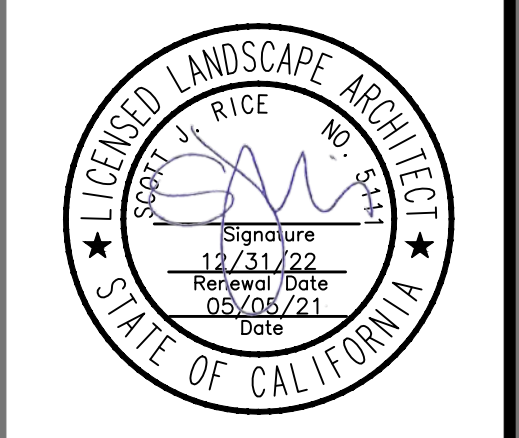
COMMUNITY WORKS DESIGN GROUP
LANDSCAPE ARCHITECTURE

4649 Brockton Ave.
Riverside, CA 92506
Phone: (951) 369-0700
Fax: (951) 369-4039
www.cwdg.fun

ENCHANTED HILLS PARK
1400 WESTON ROAD
PERRIS, CA 92570

JOB NUMBER: **190633**
DRAWN BY: **LM**
CHECKED BY: **DB**
DATE: **05/05/21**

REVISIONS:
▲ 5/5/21 BID ADDENDUM #1



PLANTING PLAN

SCALE: **1"=60'**

811
Know what's below.
Call before you dig.

LP-0
SHEET 55 OF 88

May 05, 2021 - 3:05pm luke morris
 C:\Users\Luke Morris\AppData\Local\Temp\AcPublish_14988\Planting Base Bid.dwg

W METZ ROAD



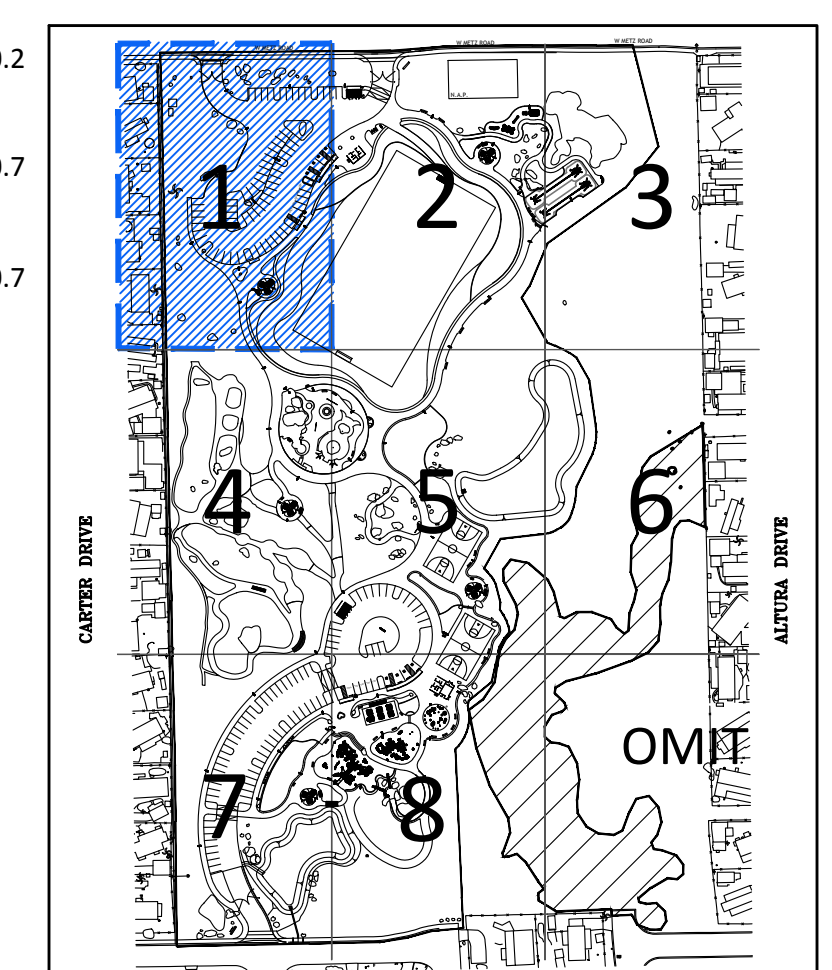
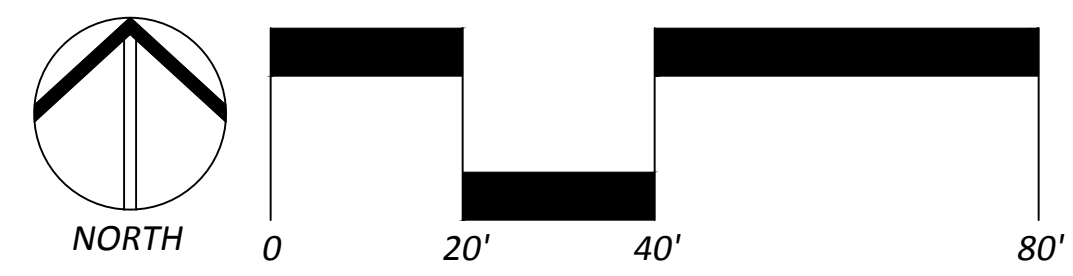
PLANTING LEGEND:

TREES	BOTANICAL NAME	COMMON NAME	SIZE / SPACING	QTY.	WUCOLS	DETAIL	K _L
	<i>Chilopsis linearis</i> 'Bubba'	DESERT WILLOW 'BUBBA'	24" BOX (MULTI.)	22	LOW	'A', LP-9	0.2
	<i>Parkinsonia</i> 'Desert Museum'	DESERT MUSEUM PALO VERDE	24" BOX (MULTI.)	15	LOW	'A', LP-9	0.2
	<i>Platanus racemosa</i>	CALIFORNIA SYCAMORE	24" BOX (STD.)	18	MOD	'A', LP-9	0.5
	<i>Populus fremontii</i>	WESTERN COTTONWOOD	24" BOX (STD.)	28	MOD	'A', LP-9	0.5
	<i>Prunus ilicifolia</i>	HOLLY-LEAF CHERRY	15 GAL (STD.)	4	LOW	'A', LP-9	0.2
	<i>Quercus agrifolia</i>	COAST LIVE OAK	36" BOX (STD.)	38	LOW	'A', LP-9	0.2
	<i>Quercus engelmannii</i>	ENGELMANN'S OAK	24" BOX (STD.)	30	LOW	'A', LP-9	0.2
	<i>Sambucus nigra ssp. caerulea</i>	BLUE ELDERBERRY	15 GAL (MULTI.)	11	LOW	'A', LP-9	0.2
SHRUBS / VINES							
	<i>Abutilon palmeri</i>	PALMER'S INDIAN MALLOW	1 GAL.	42	LOW	'C', LP-9	0.2
	<i>Agave shawii</i>	COASTAL AGAVE	1 GAL.	35	LOW	'C', LP-9	0.2
	<i>Atriplex canescens</i>	FOUR WING SALT BUSH	1 GAL.	16	V. LOW	'C', LP-9	0.1
	<i>Calliandra californica</i>	BAJA FAIRY DUSTER	1 GAL.	40	LOW	'C', LP-9	0.2
	<i>Cercis occidentalis</i>	WESTERN REDBUD	15 GAL.	51	LOW	'C', LP-9	0.2
	<i>Encelia farinosa</i>	BRITTLEBUSH	1 GAL.	36	V. LOW	'C', LP-9	0.1
	<i>Eriogonum giganteum</i>	ST. CATHERINES LACE	1 GAL.	95	V. LOW	'C', LP-9	0.1
	<i>Fallugia paradoxa</i>	APACHE PLUME	1 GAL.	60	V. LOW	'C', LP-9	0.1
	<i>Forestiera pubescens</i>	DESERT OLIVE	5 GAL.	31	LOW	'C', LP-9	0.2
	<i>Hesperoyucca whipplei</i>	CHAPARRAL YUCCA	1 GAL.	15	LOW	'C', LP-9	0.2
	<i>Heteromeles arbutifolia</i>	TOYON	15 GAL.	17	LOW	'C', LP-9	0.2
	<i>Isomeris arborea</i>	BLADDERPOD	5 GAL.	86	V. LOW	'C', LP-9	0.1
	<i>Malacothamnus fasciculatus</i>	BUSH MALLOW	1 GAL.	58	LOW	'C', LP-9	0.2
	<i>Opuntia basilaris</i>	BEAVERTAIL PRICKLYPEAR	1 GAL.	19	V. LOW	'C', LP-9	0.1
	<i>Prunus ilicifolia</i>	HOLLY-LEAF CHERRY	5 GAL.	21	LOW	'C', LP-9	0.2
	<i>Rhamnus californica</i>	CALIFORNIA COFFEEBERRY	5 GAL.	37	LOW	'C', LP-9	0.2
	<i>Rhus ovata</i>	SUGAR BUSH	5 GAL.	30	LOW	'C', LP-9	0.2
	<i>Rosa californica</i>	CALIFORNIA WILD ROSE	5 GAL.	16	LOW	'C', LP-9	0.2
	<i>Salvia apiana</i>	WHITE SAGE	1 GAL.	11	LOW	'C', LP-9	0.2
	<i>Sambucus nigra ssp. caerulea</i>	BLUE ELDERBERRY	5 GAL.	23	MOD	'C', LP-9	0.5
	<i>Sphaeralcea ambigua</i> 'Louis Hamilton'	'LOUIS HAMILTON' DESERT GLOBE MALLOW	1 GAL.	59	LOW	'C', LP-9	0.2
GROUNDCOVERS							
	<i>Achillea millefolium</i>	COMMON YARROW	1 GAL. @ 24" O.C.	851	LOW	'D', LP-9	0.2
	<i>Aristida purpurea</i>	PURPLE THREE AWN	1 GAL. @ 24" O.C.	776	LOW	'D', LP-9	0.2
	<i>Artemisia californica</i> 'Canyon Grey'	CANYON GREY SAGEBRUSH	1 GAL. @ 60" O.C.	300	LOW	'D', LP-9	0.2
	<i>Baccharis pilularis</i> 'Pigeon Point'	PIGEON POINT COYOTE BRUSH	1 GAL. @ 72" O.C.	873	LOW	'D', LP-9	0.2
	<i>Carex praegracilis</i>	CLUSTERED FIELD SEDGE	1 GAL. @ 72" O.C.	294	MOD	'D', LP-9	0.5
	<i>Carex praegracilis</i>	CLUSTERED FIELD SEDGE	1 GAL. @ 36" O.C.	530	MOD	'D', LP-9	0.5
	<i>Eriogonum fasciculatum</i>	CALIFORNIA BUCKWHEAT	1 GAL. @ 36" O.C.	994	LOW	'D', LP-9	0.2
	<i>Juncus effusus</i>	SOFT RUSH	1 GAL. @ 72" O.C.	447	MOD	'D', LP-9	0.5
	<i>Juncus patens</i> 'Elk Blue'	ELK BLUE CA. GRAY RUSH	1 GAL. @ 36" O.C.	277	MOD	'D', LP-9	0.5
	<i>Leymus condensatus</i> 'Canyon Prince'	CANYON PRINCE RYE GRASS	1 GAL. @ 36" O.C.	401	MOD	'D', LP-9	0.5
	<i>Muhlenbergia rigens</i>	DEER GRASS	1 GAL. @ 48" O.C.	433	MOD	'D', LP-9	0.5
	<i>Salvia x bee's bliss</i>	BEE'S BLISS SAGE	1 GAL. @ 60" O.C.	136	LOW	'D', LP-9	0.2
	CALIFORNIA NATIVE WILDFLOWER SEED MIX AVAILABLE FROM S&S SEEDS (805) 684-0436		20. LBS SEED PER ACRE	19,157 S.F.	LOW	'D', LP-9	0.2
	STOLONIZED BANDERA BERMUDA AVAILABLE FROM WEST COAST TURF			85,090 S.F.	HIGH	'D', LP-9	0.7
	BANDERA BERMUDA SOD AVAILABLE FROM WEST COAST TURF			13,328 S.F.	HIGH	'D', LP-9	0.7
	INORGANIC MULCH AREA 3/4" APACHE SUNSET CRUSHED STONE AVAILABLE FROM SOUTHWEST BOULDER & STONE		2" DEEP	5,840 S.F.			
	EXISTING BOULDERS						

MATCHLINE, SEE SHEET LP-2

MATCHLINE, SEE SHEET LP-4

- NOTES:
- ALL TREES / SHRUBS / GROUNDCOVERS ARE NATIVE TO SOUTHERN CALIFORNIA. ANY REQUESTED SUBSTITUTIONS MADE DUE TO AVAILABILITY SHALL BE SOUTHERN CALIFORNIA NATIVE SPECIES TO BE PRIOR APPROVED BY LANDSCAPE ARCHITECT.
 - ALL TREES WITHIN 6' OF HARDSCAPE TO RECEIVE ROOTBARRIER SEE DETAIL 'B', SHEET LP-9
 - ALL PLANTER AREAS TO RECEIVE A 3" MINIMUM DEPTH LAYER OF FOREST FLOOR MULCH OR EQUAL, AVAILABLE FROM AGUINAGA GREEN (714) 283-2572, UNLESS OTHERWISE NOTED
 - PLANT WATER USE VALUES ARE PER WUCOLS IV PLANT LIST



KEYMAP

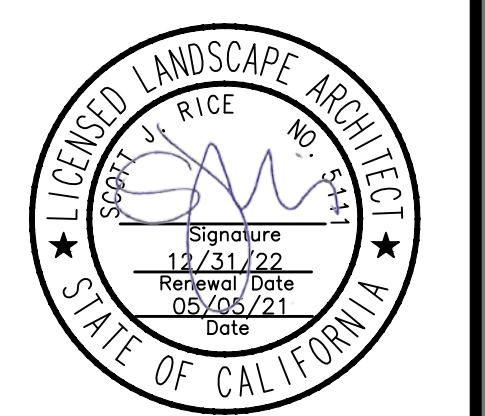


4649 Brockton Ave.
 Riverside, CA 92506
 Phone: (951) 369-0700
 Fax: (951) 369-4039
 www.cwdg.fun

ENCHANTED HILLS PARK
 1400 WESTON ROAD
 PERRIS, CA 92570

JOB NUMBER: **190633**
 DRAWN BY: **LM**
 CHECKED BY: **DB**
 DATE: **05/05/21**

REVISIONS:
 5/5/21 BID ADDENDUM #1



PLANTING PLAN

SCALE: **1"=20'**

811
 Know what's below.
 Call before you dig.

LP-1

SHEET 56 OF 88

W METZ ROAD

N.A.P.

MATCHLINE, SEE SHEET LP-1

MATCHLINE, SEE SHEET LP-3

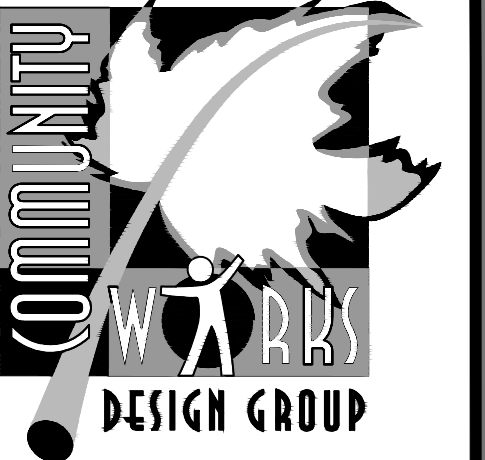
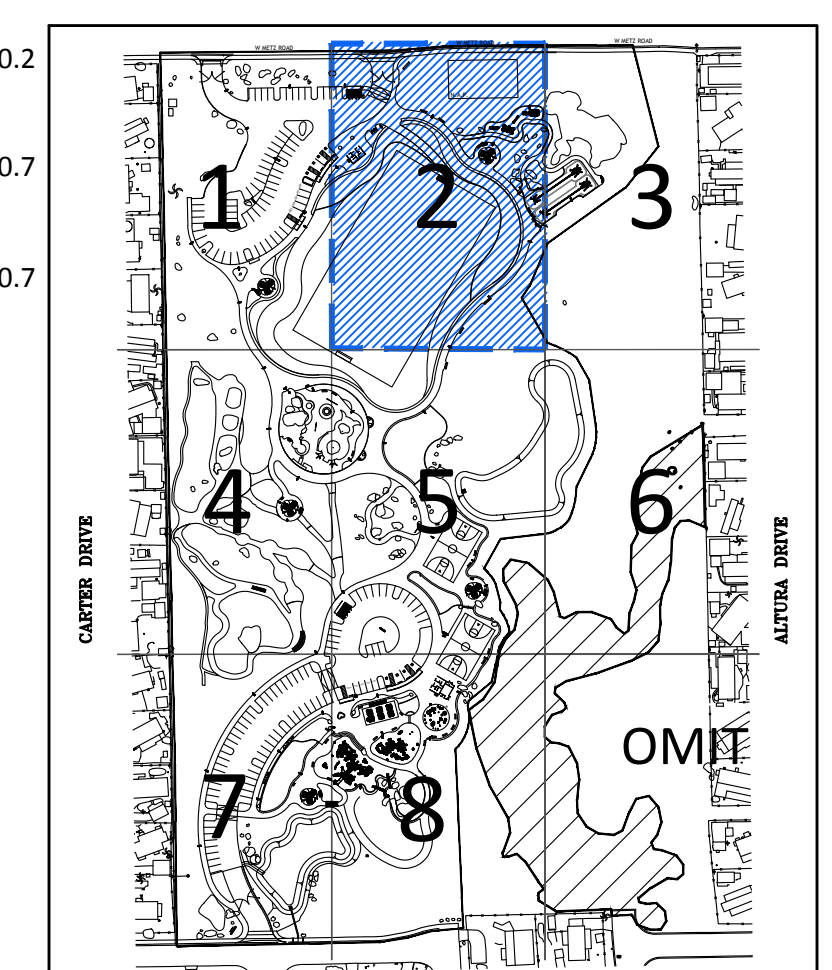
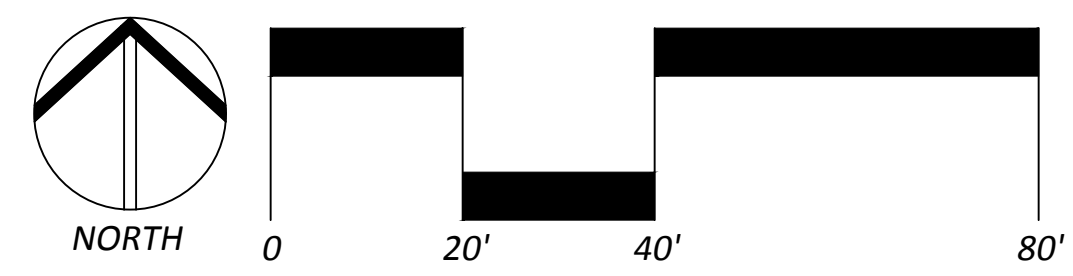
CONTINGENCY AREA FOR RELOCATED BOULDERS

MATCHLINE, SEE SHEET LP-5

PLANTING LEGEND:

TREES	BOTANICAL NAME	COMMON NAME	SIZE / SPACING	QTY.	WUCOLS	DETAIL	K _i
	<i>Chilopsis linearis</i> 'Bubba'	DESERT WILLOW 'BUBBA'	24" BOX (MULTI.)	22	LOW	'A', LP-9	0.2
	<i>Parkinsonia</i> 'Desert Museum'	DESERT MUSEUM PALO VERDE	24" BOX (MULTI.)	15	LOW	'A', LP-9	0.2
	<i>Platanus racemosa</i>	CALIFORNIA SYCAMORE	24" BOX (STD.)	18	MOD	'A', LP-9	0.5
	<i>Populus fremontii</i>	WESTERN COTTONWOOD	24" BOX (STD.)	28	MOD	'A', LP-9	0.5
	<i>Prunus ilicifolia</i>	HOLLY-LEAF CHERRY	15 GAL (STD.)	4	LOW	'A', LP-9	0.2
	<i>Quercus agrifolia</i>	COAST LIVE OAK	36" BOX (STD.)	38	LOW	'A', LP-9	0.2
	<i>Quercus engelmannii</i>	ENGELMANN'S OAK	24" BOX (STD.)	30	LOW	'A', LP-9	0.2
	<i>Sambucus nigra ssp. caerulea</i>	BLUE ELDERBERRY	15 GAL (MULTI.)	11	LOW	'A', LP-9	0.2
SHRUBS / VINES							
	<i>Abutilon palmeri</i>	PALMER'S INDIAN MALLOW	1 GAL.	42	LOW	'C', LP-9	0.2
	<i>Agave shawii</i>	COASTAL AGAVE	1 GAL.	35	LOW	'C', LP-9	0.2
	<i>Atriplex canescens</i>	FOUR WING SALT BUSH	1 GAL.	16	V. LOW	'C', LP-9	0.1
	<i>Calliandra californica</i>	BAJA FAIRY DUSTER	1 GAL.	40	LOW	'C', LP-9	0.2
	<i>Cercis occidentalis</i>	WESTERN REDBUD	15 GAL	51	LOW	'C', LP-9	0.2
	<i>Encelia farinosa</i>	BRITTLEBUSH	1 GAL	36	V. LOW	'C', LP-9	0.1
	<i>Eriogonum giganteum</i>	ST. CATHERINES LACE	1 GAL	95	V. LOW	'C', LP-9	0.1
	<i>Fallugia paradoxa</i>	APACHE PLUME	1 GAL	60	V. LOW	'C', LP-9	0.1
	<i>Forestiera pubescens</i>	DESERT OLIVE	5 GAL	31	LOW	'C', LP-9	0.2
	<i>Hesperoyucca whipplei</i>	CHAPARRAL YUCCA	1 GAL.	15	LOW	'C', LP-9	0.2
	<i>Heteromeles arbutifolia</i>	TOYON	15 GAL	17	LOW	'C', LP-9	0.2
	<i>Isomeris arborea</i>	BLADDERPOD	5 GAL	86	V. LOW	'C', LP-9	0.1
	<i>Malacothamnus fasciculatus</i>	BUSH MALLOW	1 GAL.	58	LOW	'C', LP-9	0.2
	<i>Opuntia basilaris</i>	BEAVERTAIL PRICKLYPEAR	1 GAL	19	V. LOW	'C', LP-9	0.1
	<i>Prunus ilicifolia</i>	HOLLY-LEAF CHERRY	5 GAL.	21	LOW	'C', LP-9	0.2
	<i>Rhamnus californica</i>	CALIFORNIA COFFEEBERRY	5 GAL	37	LOW	'C', LP-9	0.2
	<i>Rhus ovata</i>	SUGAR BUSH	5 GAL.	30	LOW	'C', LP-9	0.2
	<i>Rosa californica</i>	CALIFORNIA WILD ROSE	5 GAL.	16	LOW	'C', LP-9	0.2
	<i>Salvia apiana</i>	WHITE SAGE	1 GAL.	11	LOW	'C', LP-9	0.2
	<i>Sambucus nigra ssp. caerulea</i>	BLUE ELDERBERRY	5 GAL.	23	MOD	'C', LP-9	0.5
	<i>Sphaeralcea ambigua</i>	'LOUIS HAMILTON'	1 GAL	59	LOW	'C', LP-9	0.2
	<i>Louis Hamilton'</i>	DESERT GLOBE MALLOW	1 GAL	59	LOW	'C', LP-9	0.2
GROUNDCOVERS							
	<i>Achillea millefolium</i>	COMMON YARROW	1 GAL. @ 24" O.C.	851	LOW	'D', LP-9	0.2
	<i>Aristida purpurea</i>	PURPLE THREE AWN	1 GAL. @ 24" O.C.	776	LOW	'D', LP-9	0.2
	<i>Artemisia californica</i>	'Canyon Grey'	1 GAL. @ 60" O.C.	300	LOW	'D', LP-9	0.2
	<i>Baccharis pilularis</i>	'Pigeon Point'	1 GAL. @ 72" O.C.	873	LOW	'D', LP-9	0.2
	<i>Carex praegracilis</i>	CLUSTERED FIELD SEDGE	1 GAL. @ 72" O.C.	294	MOD	'D', LP-9	0.5
	<i>Carex praegracilis</i>	CLUSTERED FIELD SEDGE	1 GAL. @ 36" O.C.	530	MOD	'D', LP-9	0.5
	<i>Eriogonum fasciculatum</i>	CALIFORNIA BUCKWHEAT	1 GAL @ 36" O.C.	994	LOW	'D', LP-9	0.2
	<i>Juncus effusus</i>	SOFT RUSH	1 GAL. @ 72" O.C.	447	MOD	'D', LP-9	0.5
	<i>Juncus patens</i> 'Elk Blue'	ELK BLUE CA. GRAY RUSH	1 GAL. @ 36" O.C.	277	MOD	'D', LP-9	0.5
	<i>Leymus condensatus</i>	'Canyon Prince'	1 GAL. @ 36" O.C.	401	MOD	'D', LP-9	0.5
	<i>Muhlenbergia rigens</i>	DEER GRASS	1 GAL. @ 48" O.C.	433	MOD	'D', LP-9	0.5
	<i>Salvia x bee's bliss</i>	BEE'S BLISS SAGE	1 GAL. @ 60" O.C.	136	LOW	'D', LP-9	0.2
	CALIFORNIA NATIVE WILDFLOWER SEED MIX AVAILABLE FROM S&S SEEDS (805) 684-0436		20. LBS SEED PER ACRE	19,157 S.F.	LOW	'D', LP-9	0.2
	STOLONIZED BANDERA BERMUDA AVAILABLE FROM WEST COAST TURF			85,090 S.F.	HIGH	'D', LP-9	0.7
	BANDERA BERMUDA SOD AVAILABLE FROM WEST COAST TURF			13,328 S.F.	HIGH	'D', LP-9	0.7
	INORGANIC MULCH AREA 3/4" APACHE SUNSET CRUSHED STONE AVAILABLE FROM SOUTHWEST BOULDER & STONE		2" DEEP	5,840 S.F.			
	EXISTING BOULDERS						

- NOTES:
- ALL TREES/ SHRUBS/ GROUNDCOVERS ARE NATIVE TO SOUTHERN CALIFORNIA . ANY REQUESTED SUBSTITUTIONS MADE DUE TO AVAILABILITY SHALL BE SOUTHERN CALIFORNIA NATIVE SPECIES TO BE PRIOR APPROVED BY LANDSCAPE ARCHITECT.
 - ALL TREES WITHIN 6' OF HARDSCAPE TO RECEIVE ROOTBARRIER SEE DETAIL 'B', SHEET LP-9
 - ALL PLANTER AREAS TO RECEIVE A 3" MINIMUM DEPTH LAYER OF FOREST FLOOR MULCH OR EQUAL, AVAILABLE FROM AGUINAGA GREEN (714) 283-2572, UNLESS OTHERWISE NOTED
 - PLANT WATER USE VALUES ARE PER WUCOLS IV PLANT LIST

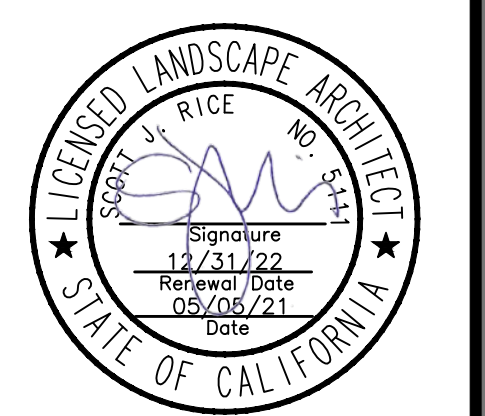


LANDSCAPE ARCHITECTURE
4649 Brockton Ave.
Riverside, CA 92506
Phone: (951) 369-0700
Fax: (951) 369-4039
www.cwdg.fun

ENCHANTED HILLS PARK
1400 WESTON ROAD
PERRIS, CA 92570

JOB NUMBER: 190633
DRAWN BY: LM
CHECKED BY: DB
DATE: 05/05/21

REVISIONS:
5/5/21 BID ADDENDUM #1



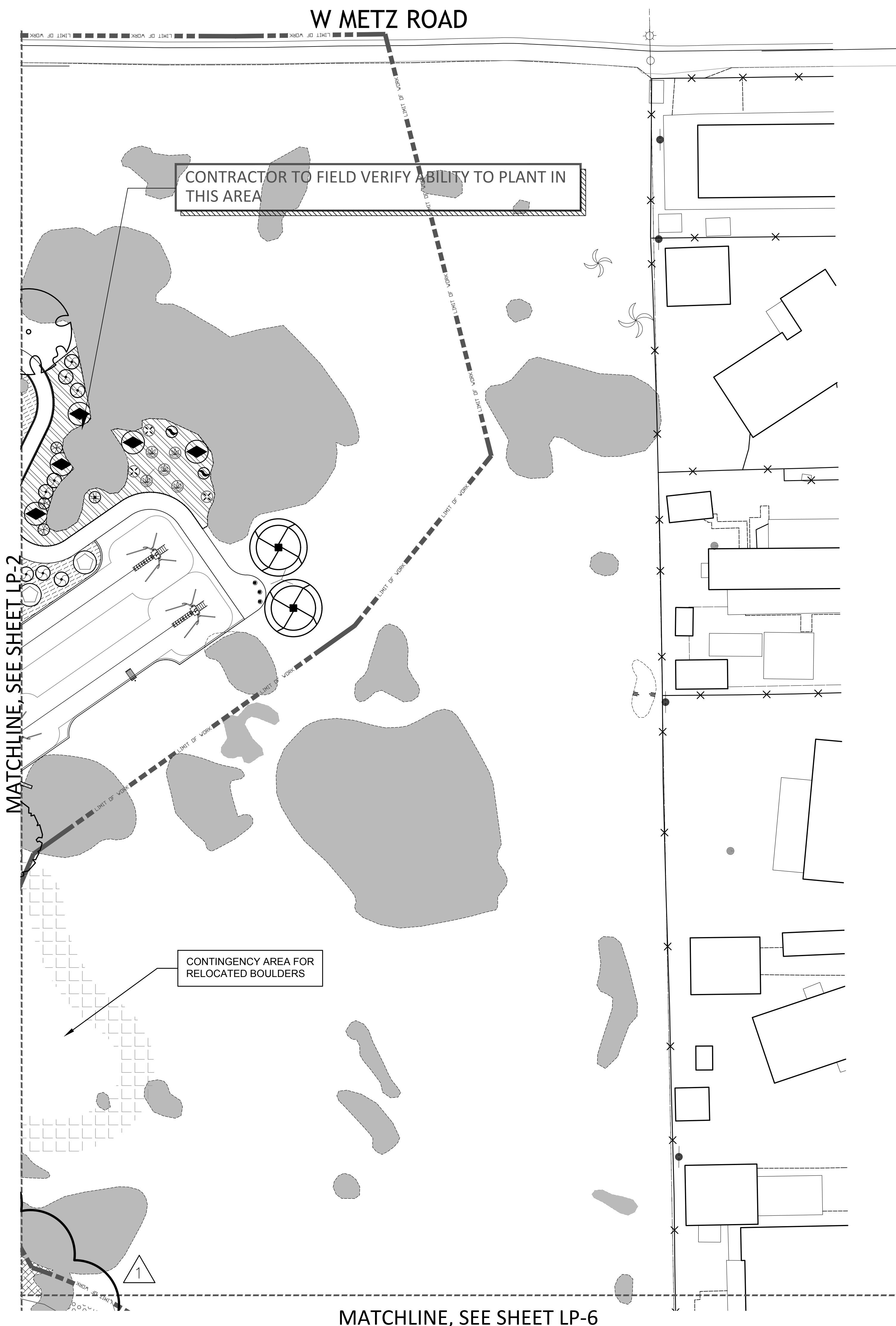
PLANTING PLAN

SCALE: 1"=20'



LP-2

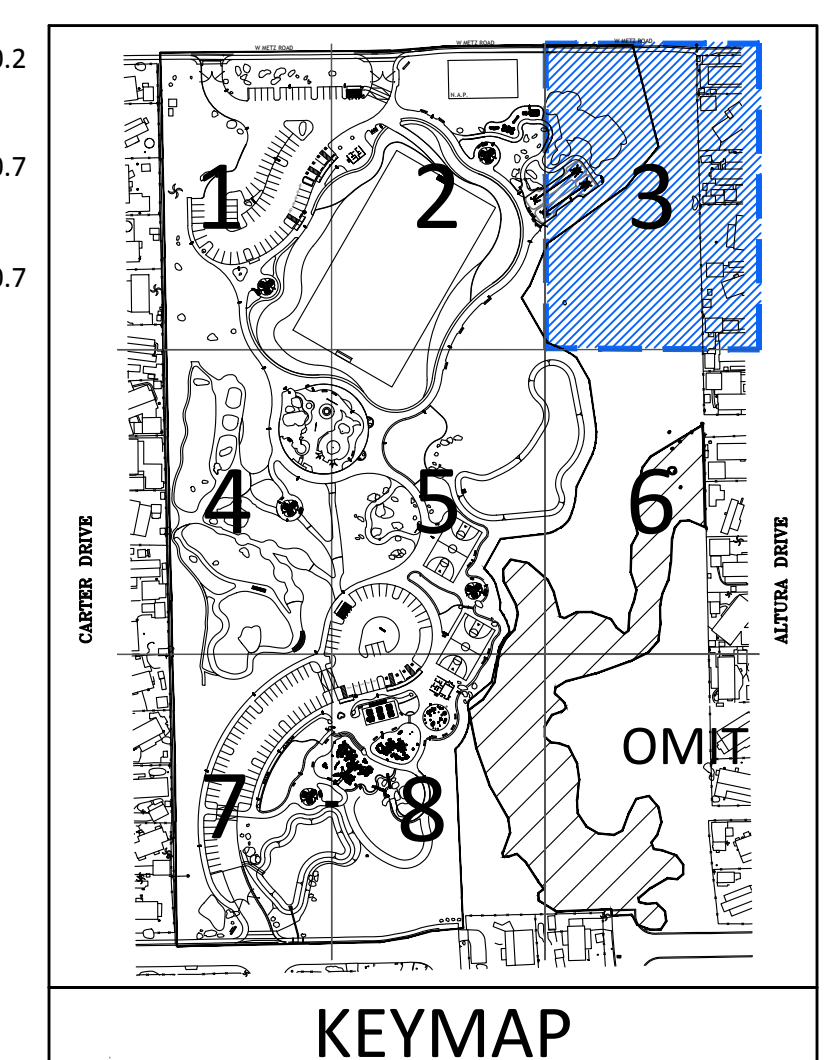
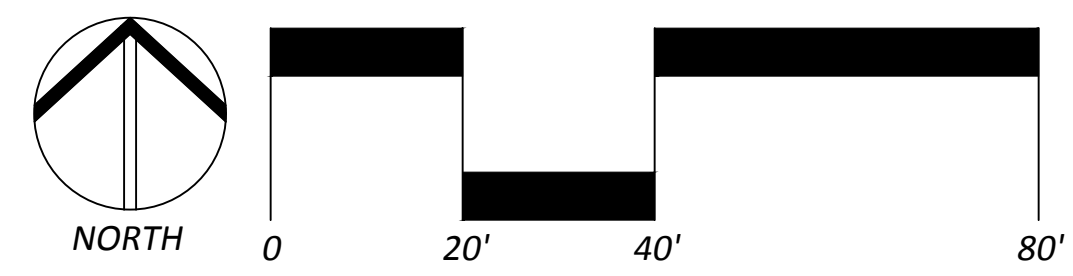
May 05, 2021 3:06pm luke morris
 C:\Users\Luke Morris\AppData\Local\Temp\AcPublish_14988\Planting Base Bid.dwg



PLANTING LEGEND:

TREES	BOTANICAL NAME	COMMON NAME	SIZE / SPACING	QTY.	WUCOLS	DETAIL	K _L
	<i>Chilopsis linearis</i> 'Bubba'	DESERT WILLOW 'BUBBA'	24" BOX (MULTI.)	22	LOW	'A', LP-9	0.2
	<i>Parkinsonia</i> 'Desert Museum'	DESERT MUSEUM PALO VERDE	24" BOX (MULTI.)	15	LOW	'A', LP-9	0.2
	<i>Platanus racemosa</i>	CALIFORNIA SYCAMORE	24" BOX (STD.)	18	MOD	'A', LP-9	0.5
	<i>Populus fremontii</i>	WESTERN COTTONWOOD	24" BOX (STD.)	28	MOD	'A', LP-9	0.5
	<i>Prunus ilicifolia</i>	HOLLY-LEAF CHERRY	15 GAL (STD.)	4	LOW	'A', LP-9	0.2
	<i>Quercus agrifolia</i>	COAST LIVE OAK	36" BOX (STD.)	38	LOW	'A', LP-9	0.2
	<i>Quercus engelmannii</i>	ENGELMANN'S OAK	24" BOX (STD.)	30	LOW	'A', LP-9	0.2
	<i>Sambucus nigra ssp. caerulea</i>	BLUE ELDERBERRY	15 GAL (MULTI.)	11	LOW	'A', LP-9	0.2
SHRUBS / VINES							
	<i>Abutilon palmeri</i>	PALMER'S INDIAN MALLOW	1 GAL.	42	LOW	'C', LP-9	0.2
	<i>Agave shawii</i>	COASTAL AGAVE	1 GAL.	35	LOW	'C', LP-9	0.2
	<i>Atriplex canescens</i>	FOUR WING SALT BUSH	1 GAL.	16	V. LOW	'C', LP-9	0.1
	<i>Calliandra californica</i>	BAJA FAIRY DUSTER	1 GAL.	40	LOW	'C', LP-9	0.2
	<i>Cercis occidentalis</i>	WESTERN REDBUD	15 GAL.	51	LOW	'C', LP-9	0.2
	<i>Encelia farinosa</i>	BRITTLEBUSH	1 GAL.	36	V. LOW	'C', LP-9	0.1
	<i>Eriogonum giganteum</i>	ST. CATHERINES LACE	1 GAL.	95	V. LOW	'C', LP-9	0.1
	<i>Fallugia paradoxa</i>	APACHE PLUME	1 GAL.	60	V. LOW	'C', LP-9	0.1
	<i>Forestiera pubescens</i>	DESERT OLIVE	5 GAL.	31	LOW	'C', LP-9	0.2
	<i>Hesperoyucca whipplei</i>	CHAPARRAL YUCCA	1 GAL.	15	LOW	'C', LP-9	0.2
	<i>Heteromeles arbutifolia</i>	TOYON	15 GAL.	17	LOW	'C', LP-9	0.2
	<i>Isomeris arborea</i>	BLADDERPOD	5 GAL.	86	V. LOW	'C', LP-9	0.1
	<i>Malacothamnus fasciculatus</i>	BUSH MALLOW	1 GAL.	58	LOW	'C', LP-9	0.2
	<i>Opuntia basilaris</i>	BEAVERTAIL PRICKLYPEAR	1 GAL.	19	V. LOW	'C', LP-9	0.1
	<i>Prunus ilicifolia</i>	HOLLY-LEAF CHERRY	5 GAL.	21	LOW	'C', LP-9	0.2
	<i>Rhamnus californica</i>	CALIFORNIA COFFEEBERRY	5 GAL.	37	LOW	'C', LP-9	0.2
	<i>Rhus ovata</i>	SUGAR BUSH	5 GAL.	30	LOW	'C', LP-9	0.2
	<i>Rosa californica</i>	CALIFORNIA WILD ROSE	5 GAL.	16	LOW	'C', LP-9	0.2
	<i>Salvia apiana</i>	WHITE SAGE	1 GAL.	11	LOW	'C', LP-9	0.2
	<i>Sambucus nigra ssp. caerulea</i>	BLUE ELDERBERRY	5 GAL.	23	MOD	'C', LP-9	0.5
	<i>Sphaeralcea ambigua</i>	'LOUIS HAMILTON'	1 GAL.	59	LOW	'C', LP-9	0.2
	<i>'Louis Hamilton'</i>	DESERT GLOBE MALLOW	1 GAL.	59	LOW	'C', LP-9	0.2
GROUNDCOVERS							
	<i>Achillea millefolium</i>	COMMON YARROW	1 GAL. @ 24" O.C.	851	LOW	'D', LP-9	0.2
	<i>Aristida purpurea</i>	PURPLE THREE AWN	1 GAL. @ 24" O.C.	776	LOW	'D', LP-9	0.2
	<i>Artemisia californica</i>	'Canyon Grey'	1 GAL. @ 60" O.C.	300	LOW	'D', LP-9	0.2
	<i>Baccharis pilularis</i>	'Pigeon Point'	1 GAL. @ 72" O.C.	873	LOW	'D', LP-9	0.2
	<i>Carex praegracilis</i>	CLUSTERED FIELD SEDGE	1 GAL. @ 72" O.C.	294	MOD	'D', LP-9	0.5
	<i>Carex praegracilis</i>	CLUSTERED FIELD SEDGE	1 GAL. @ 36" O.C.	530	MOD	'D', LP-9	0.5
	<i>Eriogonum fasciculatum</i>	CALIFORNIA BUCKWHEAT	1 GAL. @ 36" O.C.	994	LOW	'D', LP-9	0.2
	<i>Juncus effusus</i>	SOFT RUSH	1 GAL. @ 72" O.C.	447	MOD	'D', LP-9	0.5
	<i>Juncus patens</i> 'Elk Blue'	ELK BLUE CA. GRAY RUSH	1 GAL. @ 36" O.C.	277	MOD	'D', LP-9	0.5
	<i>Leymus condensatus</i>	'Canyon Prince'	1 GAL. @ 36" O.C.	401	MOD	'D', LP-9	0.5
	<i>Muhlenbergia rigens</i>	DEER GRASS	1 GAL. @ 48" O.C.	433	MOD	'D', LP-9	0.5
	<i>Salvia x bee's bliss</i>	BEE'S BLISS SAGE	1 GAL. @ 60" O.C.	136	LOW	'D', LP-9	0.2
	CALIFORNIA NATIVE WILDFLOWER SEED MIX AVAILABLE FROM S&S SEEDS (805) 684-0436		20. LBS SEED PER ACRE	19,157 S.F.	LOW	'D', LP-9	0.2
	STOLONIZED BANDERA BERMUDA AVAILABLE FROM WEST COAST TURF			85,090 S.F.	HIGH	'D', LP-9	0.7
	BANDERA BERMUDA SOD AVAILABLE FROM WEST COAST TURF			13,328 S.F.	HIGH	'D', LP-9	0.7
	INORGANIC MULCH AREA 3/4" APACHE SUNSET CRUSHED STONE AVAILABLE FROM SOUTHWEST BOULDER & STONE		2" DEEP	5,840 S.F.			
	EXISTING BOULDERS						

- NOTES:**
- ALL TREES/ SHRUBS/ GROUNDCOVERS ARE NATIVE TO SOUTHERN CALIFORNIA. ANY REQUESTED SUBSTITUTIONS MADE DUE TO AVAILABILITY SHALL BE SOUTHERN CALIFORNIA NATIVE SPECIES TO BE PRIOR APPROVED BY LANDSCAPE ARCHITECT.
 - ALL TREES WITHIN 6' OF HARDSCAPE TO RECEIVE ROOTBARRIER SEE DETAIL 'B', SHEET LP-9
 - ALL PLANTER AREAS TO RECEIVE A 3" MINIMUM DEPTH LAYER OF FOREST FLOOR MULCH OR EQUAL, AVAILABLE FROM AGUINAGA GREEN (714) 283-2572, UNLESS OTHERWISE NOTED
 - PLANT WATER USE VALUES ARE PER WUCOLS IV PLANT LIST

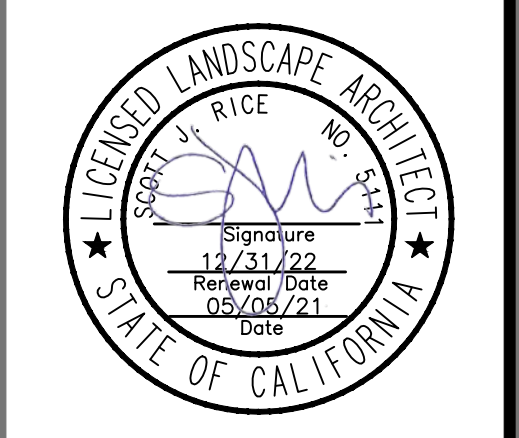


4649 Brockton Ave.
 Riverside, CA 92506
 Phone: (951) 369-0700
 Fax: (951) 369-4039
 www.cwdg.fun

ENCHANTED HILLS PARK
 1400 WESTON ROAD
 PERRIS, CA 92570

JOB NUMBER: **190633**
 DRAWN BY: **LM**
 CHECKED BY: **DB**
 DATE: **05/05/21**

REVISIONS:
 1 5/5/21 BID ADDENDUM #1



PLANTING PLAN

SCALE: **1"=20'**

LP-3
 SHEET 58 OF 88