

Front View


Side View

TABLE "A" RAFTER SPANS (DOUGLAS FIR #2 OR BETTER)			TABLE "B" HEADER SIZE & SPANS (DOUGLAS FIR #2 OR BETTER)		TABLE "C" FOOTING SIZE	TABLE "D" LEDGER BOLTING	
SIZE	SPACING	SPAN	RAFTER SPAN	HEADER		BASED ON 1000 P.S.F. SOIL BEARING PRESSURE.	ALL LAG BOLTS SHALL HAVE 1/4" PRE-DRILLED HOLES - (SEE NOTE 2)
				SPAN	SIZE		
2 x 4	12" O.C.	9' - 10"	UPTO 12'-0"	8'-0" MAX	4 x 6	18" SQ. X 12" DEEP	3/8" DIA. X 5 LONG AT 16" O.C STAGGERED
	16" O.C.	8' - 11"		10'-0" MAX	4 x 8	18" SQ. X 12" DEEP	
	24" O.C.	7' - 8"		12'-0" MAX	4 x 10	18" SQ. X 12" DEEP	
		14'-0" MAX		4 x 12	18" SQ. X 12" DEEP		
2 x 6	12" O.C.	15' - 4"	12'-1" TO 20'-0"	8'-0" MAX	4 x 8	24" SQ. X 12" DEEP	(2) 3/8" DIA X 5" LONG AT 16" O.C.
	16" O.C.	13' - 9"		10'-0" MAX	4 x 10	24" SQ. X 12" DEEP	
	24" O.C.	11' - 3"		12'-0" MAX	4 x 12	24" SQ. X 12" DEEP	
		14'-0" MAX		4 x 14	24" SQ. X 12" DEEP		
2 x 8	12" O.C.	20' - 0"	NOTES: 1. TWO 2X MEMBERS MAY BE SUBSTITUTED FOR ONE 4X HORIZONTAL FRAMING MEMBER. 2. LAG BOLTS MUST FULLY ENGAGE A WOOD STUD OR RIM JOIST AND BE PROVIDED WITH APPROPRIATE WASHERS. LAG BOLTS SHALL BE LOCATED A MINIMUM OF 1-1/2" FROM THE TOP OR BOTTOM OF THE LEDGER. 3. NOT DESIGNED TO BE ENCLOSED - ADDITIONAL ENGINEERING ANALYSIS WILL BE REQUIRED IF ENCLOSED. 4. SEE PAGE 2 OF 2 FOR CONSTRUCTION DETAILS. 5. A PLOT PLAN IS REQUIRED DISCLAIMER: 2022 CALIFORNIA CODES Alternate patio designs may be possible when provided with an engineered analysis. Use of this conventional standard design is at the user's risk and carries no implied or inferred guarantee against failure or defects				
	16" O.C.	18' - 2"					
	24" O.C.	14' - 10"					
2 x 10	12" O.C.	20' - 0"					
	16" O.C.	20' - 0"					
	24" O.C.	18' - 11"					
	32" O.C.	*16' - 2"					

INDICATE DISTANCE BETWEEN POST CIRCLE PROPOSED RAFTER SIZE HEADER SIZE AND FOOTING SIZE ON TABLES

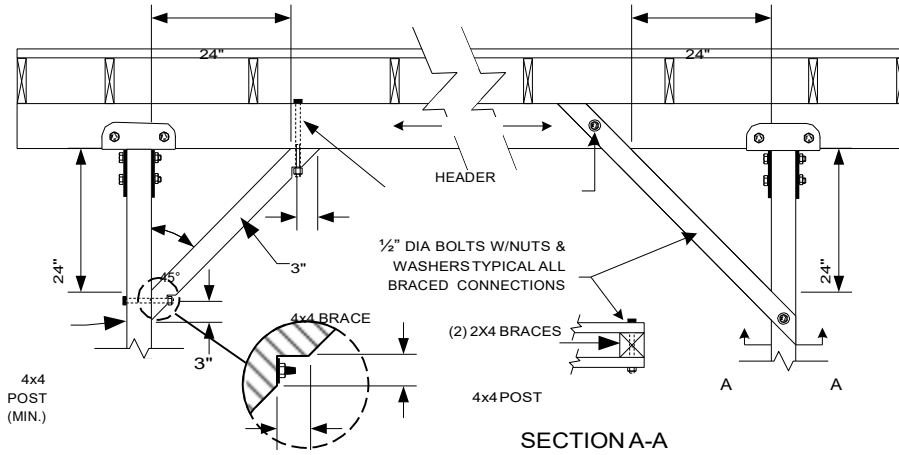
NOT APPROVED FOR FREE STANDING PATIOS.

FREE STANDING PATIO COVERS MUST BE DESIGNED BY A REGISTERED ENGINEER

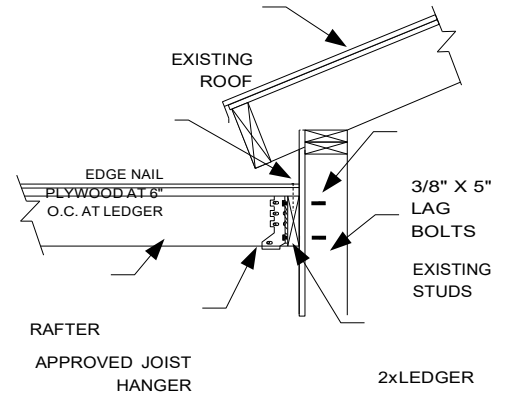
	CITY OF PERRIS Building Department
	PATIO COVER STANDARD
951-943-5003	135 N. 'D' Street Perris CA 92570
05/18/2023	Pg. 1 of 2

KNEE BRACE DETAIL AT END POSTS

(REQUIRED WHEN RAFTER SPAN EXCEEDS 12 FT.)



LEDGER ATTACHMENT DETAIL



NOTES:

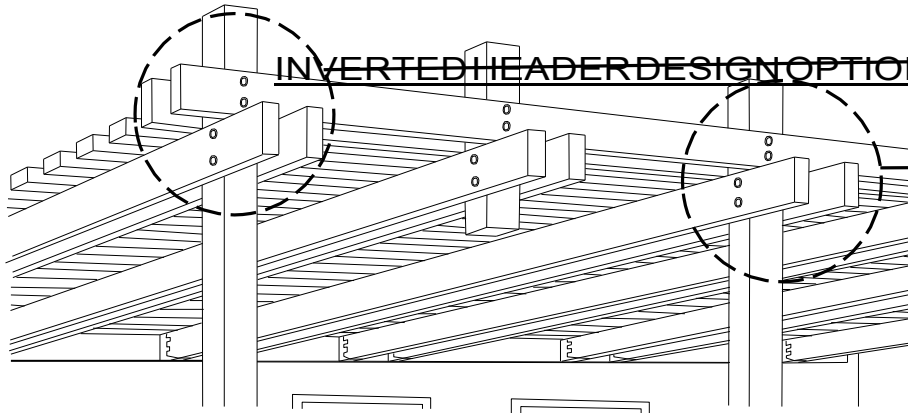
1. USE A CONTINUOUS 2X LEDGER - SAME DEPTH AS RAFTER OR LARGER
2. SEE TABLE "D" FOR BOLTING REQUIREMENTS

OPTION 1

NOTCH:
1-1/2"
(typical)

OPTION 2

INVERTED HEADER DESIGN OPTION (lattice only)

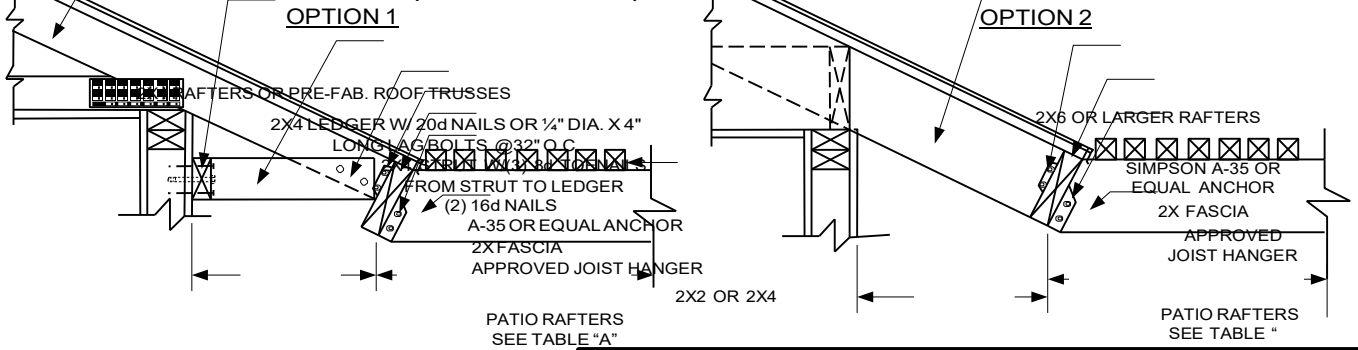


TWO 1/2" DIA. THRU-BOLTS (W/WASHERS), PER CONNECTION AS SHOWN

FOR HEADERS OR RAFTERS - TWO 2X MEMBERS MAY BE SUBSTITUTED FOR ONE 4X MEMBER. SEE TABLES "A" & "B" FOR SPAN LIMITS

NOTE: KNEE BRACING REQUIRED WHEN RAFTER SPAN EXCEEDS 12 FEET

2X FASCIA (OVERHANG) ATTACHMENT - LATTICE ONLY



30" MAX OVERHANG

PATIO RAFTER SPAN LIMITED TO 8' FOR LATTICE COVER



30" MAX OVERHANG

PATIO RAFTER SPAN LIMITED TO 8' FOR LATTICE COVER

(951) 955-1800

Fax (951) 955-1806

4080 Lemon St, 2nd Fl * P.O. Box 1629 *
Riverside, CA 92501

2/24/2014

RSctyLMNptioFNL.VSD

PAGE 3 OF 2