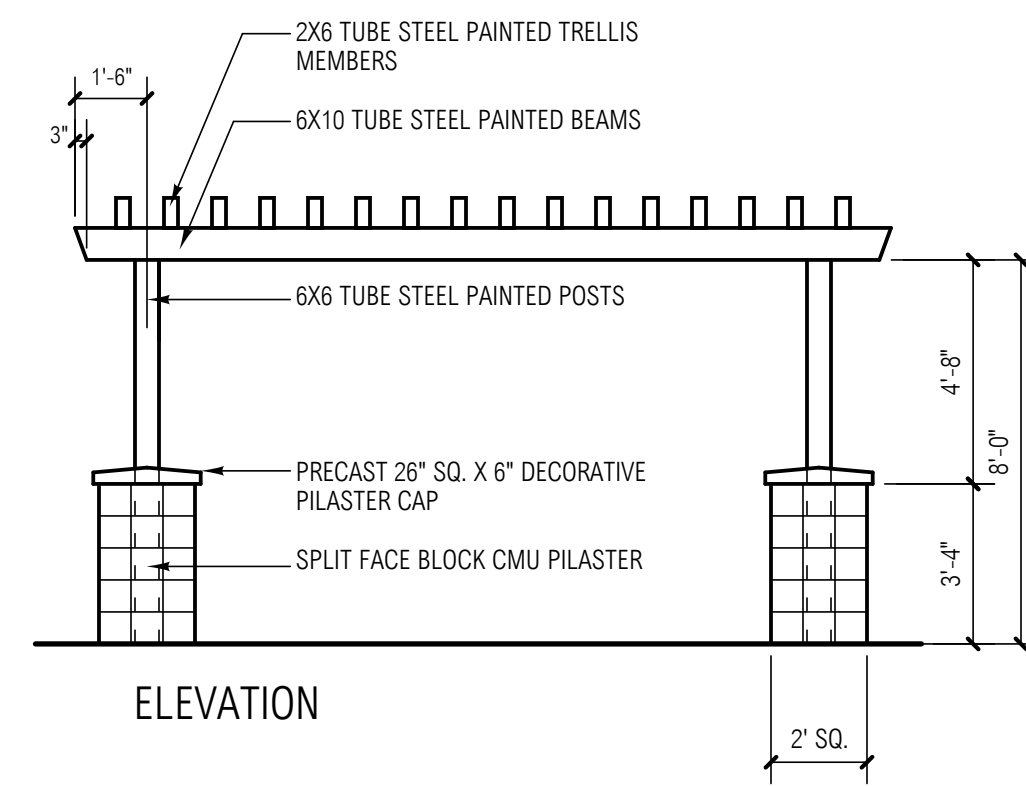
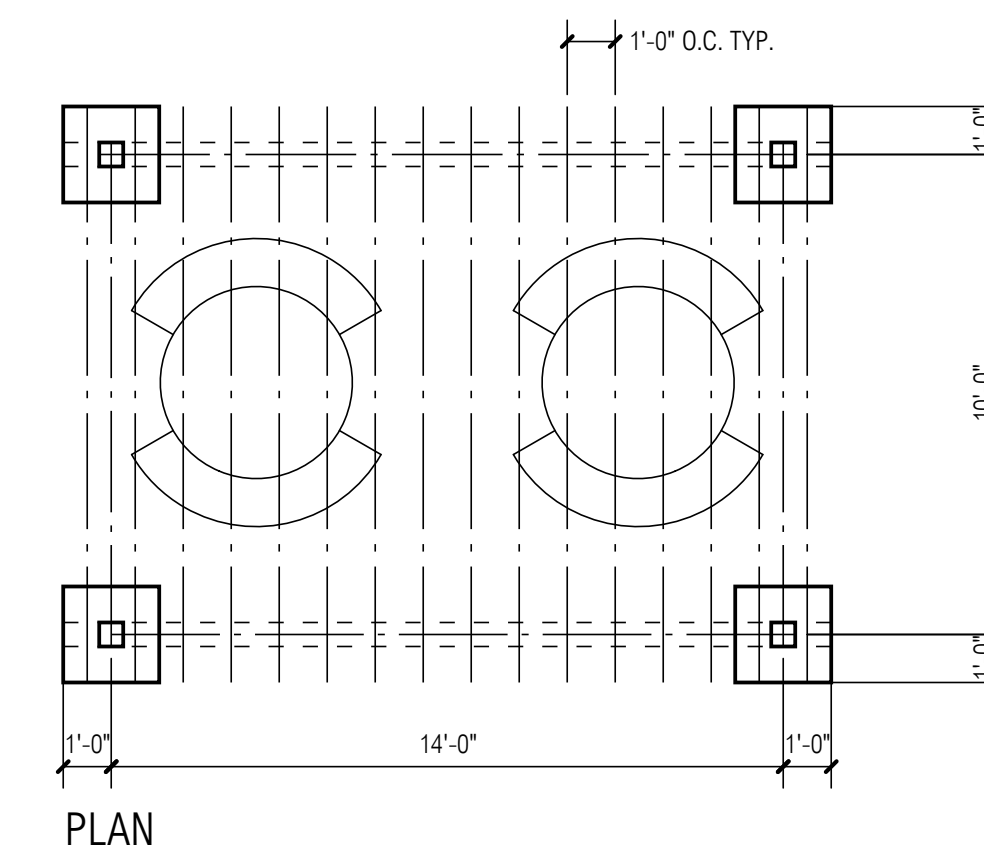


ELEVATION  
TYPICAL LUNCH PATIO TRELLIS  
SCALE: 1/4" = 1'-0"



ELEVATION

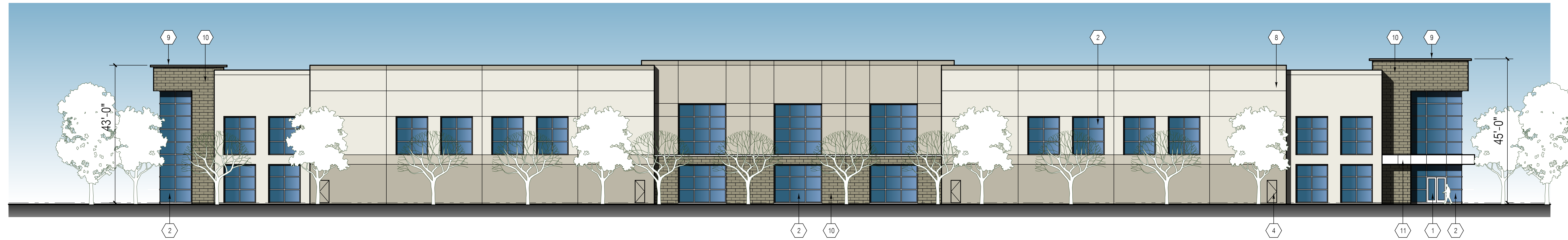


PLAN

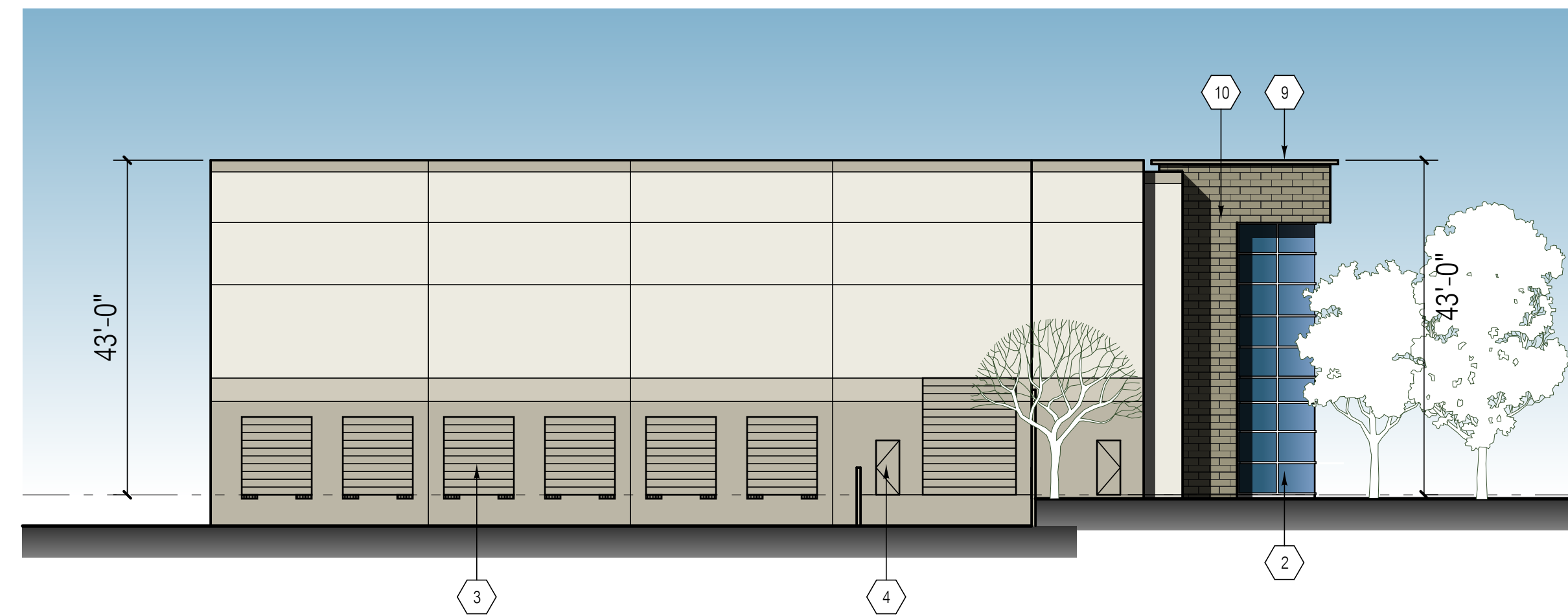
**FINISH SCHEDULE**

1. FIELD COLOR - GLIDDEN - CHINA WHITE - A1865
2. ACCENT COLOR - GLIDDEN - BURMESE BEIGE - A1838
3. BASE ACCENT COLOR - GLIDDEN - MEADOWLARK - A1867
4. BRICK MATERIAL - RUSHMORE - GRAY
5. GLAZING - SEE KEYNOTE 2 - PPG SOLARCOOL PACIFICA REFLECTIVE #2.

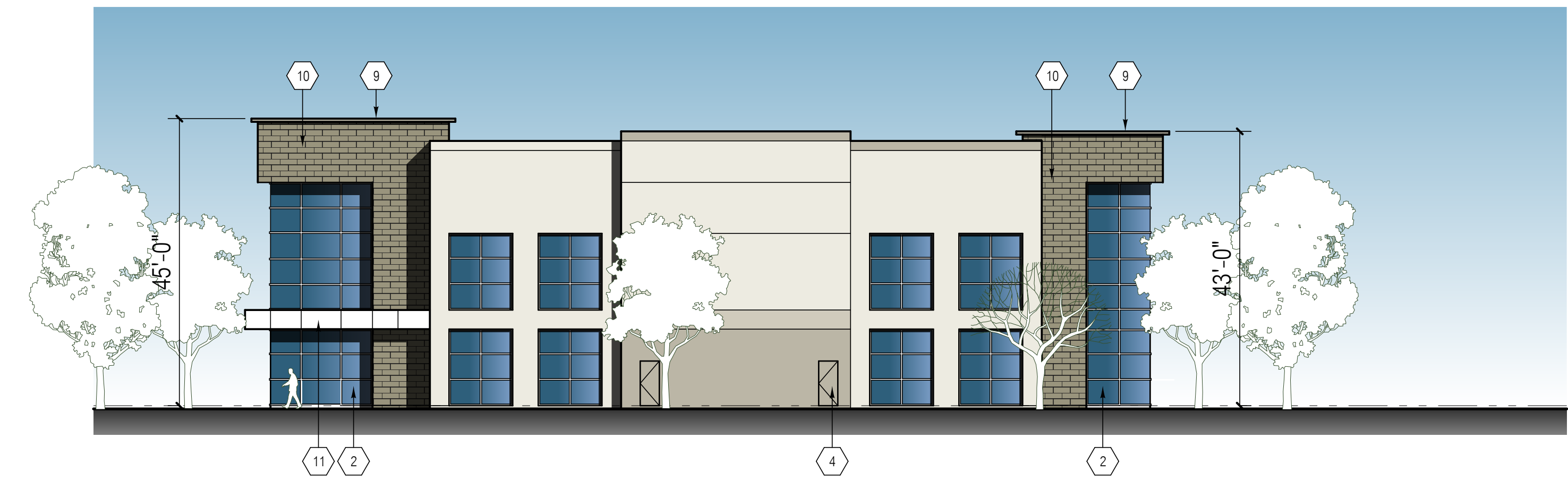
- KEYNOTES**
1. PRIMARY ACCESSIBLE BUILDING ENTRY
  2. BLUE GLAZING IN CLEAR ANODIZED ALUMINUM STOREFRONT. ALL GLASS TO BE AS NON-REFLECTIVE AS POSSIBLE TO ALLOW FOR INTERIOR NATURAL LIGHT. THE BUILDING ENVELOPE WITH CONFORM TO CALGREEN AND TITLE 24 REQUIREMENTS.
  3. PAINTED DOCK HIGH TRUCK LOADING DOOR.
  4. 3' X 7' PAINTED METAL MAN DOOR.
  5. DOWNSPOUTS ON NORTH ELEVATION SHALL BE EXTERNAL PAINTED TO MATCH BUILDING. PAINTED OVER/LOW SCOPPERS ARE ACCEPTABLE.
  6. ROOF DRAINS AT THE OFFICE CORNERS SHALL BE INTERNAL, BOTH ROOF AND OVERFLOE DRAINS.
  7. NEW 14' HIGH MINIMUM CONCRETE TILT-UP SCREEN WALLS AT TRUCK YARD WITH AN 8'-0" TUBE STEEL SLIDING GATE WITH 80% SCREENING MESH. WALLS TO BE PAINTED WITH ANTI-GRAFFITI PAINT.
  8. BUILDING ADDRESS: 18' HIGH ADDRESS NUMBERS FIXED TO FACE OF CONCRETE WALL PANEL. MANUF. SIGNATURE SIGNS, PLASTIC FACE NUMBERS WITH CONTINUOUS ALUMINUM RETAINER. SIGN TO BE EXTERNALLY ILLUMINATED DURING THE HOURS OF DARKNESS.
  9. CORNICE DETAIL AT ENTRY PANEL PARAPETS, PAINTED TO MATCH BUILDING
  10. BRICK FACADE AT BUILDING ENTRIES AND EAST SIDE SET INTO CONCRETE PANEL.
  11. PROVIDE 36" TALL ALUM CANOPY OVER PRIMARY ENTRY DOORS.



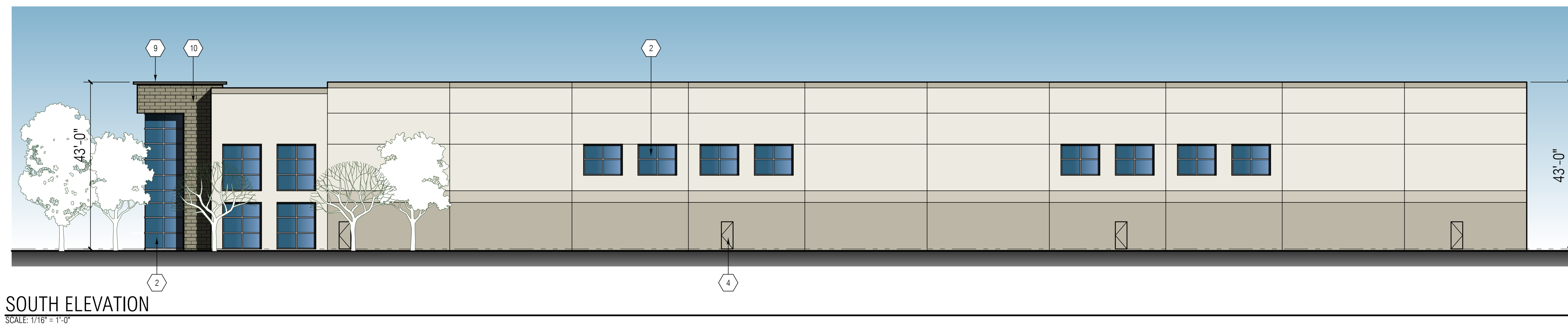
NORTH ELEVATION - HARLEY KNOX  
SCALE: 1/16" = 1'-0"



EAST ELEVATION  
SCALE: 1/16" = 1'-0"



WEST ELEVATION  
SCALE: 1/16" = 1'-0"



SOUTH ELEVATION  
SCALE: 1/16" = 1'-0"

PREPARED BY:

**RG A**  
Office of Architectural Design  
15231 Alton Parkway, Suite 100  
Irvine, CA 92618  
T 949-341-0920  
FX 949-341-0922

# BREW HARLEY KNOX

0000 HARLEY KNOX BLVD., PERRIS, CA

ELEVATION

| MARK | DATE     | DESCRIPTION      |
|------|----------|------------------|
|      | 05/26/22 | SCHEMATIC DESIGN |
|      |          |                  |
|      |          |                  |
|      |          |                  |

|                  |                                      |
|------------------|--------------------------------------|
| RG A PROJECT NO: | 22007.00                             |
| CAD FILE NAME:   | 22007-00-A3-01                       |
| DRAWN BY:        | JH                                   |
| CHK'D BY:        | JH                                   |
| COPYRIGHT:       | RG A, OFFICE OF ARCHITECTURAL DESIGN |
| SHEET TITLE:     |                                      |

A3-01